



Chipsmall Limited consists of a professional team with an average of over 10 year of expertise in the distribution of electronic components. Based in Hongkong, we have already established firm and mutual-benefit business relationships with customers from,Europe,America and south Asia,supplying obsolete and hard-to-find components to meet their specific needs.

With the principle of “Quality Parts,Customers Priority,Honest Operation,and Considerate Service”,our business mainly focus on the distribution of electronic components. Line cards we deal with include Microchip,ALPS,ROHM,Xilinx,Pulse,ON,Everlight and Freescale. Main products comprise IC,Modules,Potentiometer,IC Socket,Relay,Connector.Our parts cover such applications as commercial,industrial, and automotives areas.

We are looking forward to setting up business relationship with you and hope to provide you with the best service and solution. Let us make a better world for our industry!



Contact us

Tel: +86-755-8981 8866 Fax: +86-755-8427 6832

Email & Skype: info@chipsmall.com Web: www.chipsmall.com

Address: A1208, Overseas Decoration Building, #122 Zhenhua RD., Futian, Shenzhen, China

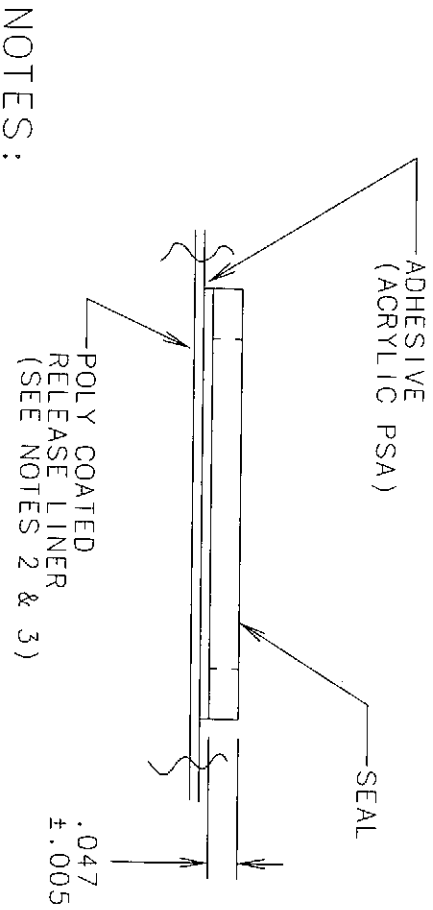
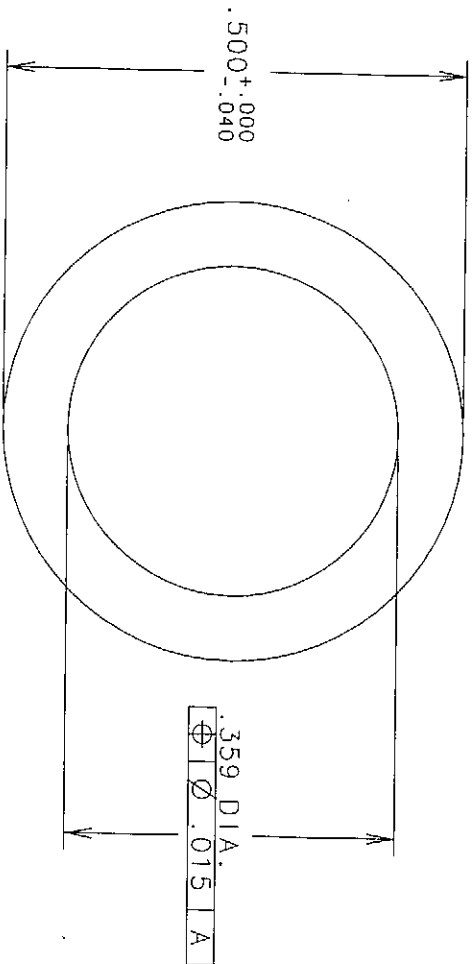


ENG1108

DWG. NO.

51M5169

ALL REVISIONS TO THIS DRAWING
MUST BE MADE ON THE CAD SYSTEM



- NOTES:
1. SEALS WILL BE RED IN COLOR AND SUPPLIED ON SHEETS.
 2. SEALS WILL BE TOTALLY CUT THROUGH WITH PAPER LINER INTACT.
 3. NICKS ON EITHER EDGE ARE ACCEPTABLE IF DIMENSIONS REMAIN WITHIN PRINT TOLERANCE.
 4. SURFACE SCRATCHES ARE ACCEPTABLE IF THEY DO NOT COMPLETELY CROSS BETWEEN THE I.D AND O.D.
 5. MATERIAL: ZZ-R765 CLASS 2A & 2B GRADE 70.

REV.	APP/DATE	DESCRIPTION
C	CSR	CHANGED NOTE 1. ECN#367495 CMJ 08/06/07
B	CSR	CHANGED NOTE 2. ECN#367302 CMJ 07/18/07
A	JTK	ORIGINAL ECN#357641 CSR 07/14/05

REVISIONS



GRAYHILL, INC.
561 HILLGROVE AVE.
LA GRANGE, IL 60525
PHONE (708) 354-1040

UNLESS OTHERWISE SPECIFIED TOLERANCES AND DIMENSIONS ARE IN INCHES
 LINEAR $\pm .005$ DIAMETERS $\pm .015$
 ANGULAR $\pm 0^{\circ} 0'$
 LIMITS APPLY BEFORE FINISHING
 DO NOT SCALE THIS PRINT

D.O.C. INSTR.		APPROVED DATE	JTK 07/14/05
FINISH		CHECKED DATE	JTK 07/14/05
MATERIAL	SEE NOTE 5.	DRAWN DATE	CSR 07/14/05
NAME	GASKET	CADAM DRAWING	51M5169_C_001
CAGE NO.	81073	DWG. NO.	51M5169
SIZE	A	ISSUE	C
SCALE	5:1 (R)	SHEET	1 OF 1