



Chipsmall Limited consists of a professional team with an average of over 10 year of expertise in the distribution of electronic components. Based in Hongkong, we have already established firm and mutual-benefit business relationships with customers from,Europe,America and south Asia,supplying obsolete and hard-to-find components to meet their specific needs.

With the principle of “Quality Parts,Customers Priority,Honest Operation,and Considerate Service”,our business mainly focus on the distribution of electronic components. Line cards we deal with include Microchip,ALPS,ROHM,Xilinx,Pulse,ON,Everlight and Freescale. Main products comprise IC,Modules,Potentiometer,IC Socket,Relay,Connector.Our parts cover such applications as commercial,industrial, and automotives areas.

We are looking forward to setting up business relationship with you and hope to provide you with the best service and solution. Let us make a better world for our industry!



Contact us

Tel: +86-755-8981 8866 Fax: +86-755-8427 6832

Email & Skype: info@chipsmall.com Web: www.chipsmall.com

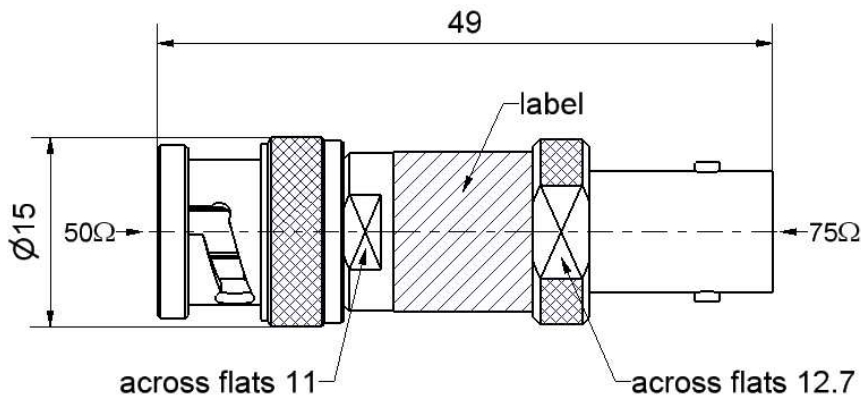
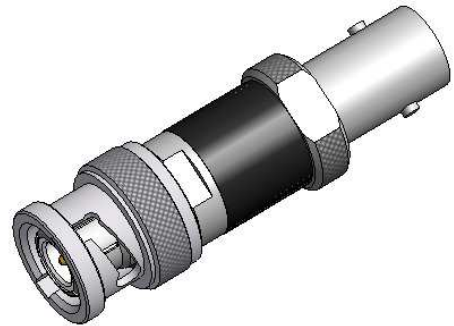
Address: A1208, Overseas Decoration Building, #122 Zhenhua RD., Futian, Shenzhen, China



BNC

Matching Attenuator
50 Ω Plug – 75 Ω Jack

51S171-K00N4



All dimensions are in mm; tolerances according to ISO 2768 m-H

Interface

According to DIN EN 61169-8

Documents

N/A

Material and plating

Connector parts

- Center conductor - 50 Ω
- Center conductor - 75 Ω
- Outer conductor
- Coupling nut
- Dielectric
- Substrate

Material

- Brass
- Beryllium copper
- Brass
- Brass
- PTFE
- Al₂O₃

Plating

- Gold, min. 0.8 μm, over nickel
- Gold, min. 0.8 μm, over nickel
- Flash white bronze over silver(e.g. Optargen®)
- Flash white bronze over silver(e.g. Optargen®)

Technical Data Sheet

Rosenberger

BNC

Matching Attenuator
50 Ω Plug – 75 Ω Jack

51S171-K00N4

Electrical data

Impedance	50 Ω; (m) side	75 Ω, (f) side
Frequency	DC to 2 GHz	
Return loss	≥ 46.0 dB, (m) side	DC to 30 MHz ≥ 44.5 dB, (f) side
	≥ 42.0 dB, (m) side	30 MHz to 100 MHz ≥ 40.1 dB, (f) side
	≥ 36.6 dB, (m) side	100 MHz to 300 MHz ≥ 34.1 dB, (f) side
	≥ 28.3 dB, (m) side	300 MHz to 0.5 GHz ≥ 28.3 dB, (f) side
	≥ 26.4 dB, (m) side	0.5 GHz to 1 GHz ≥ 23.1 dB, (f) side
	≥ 23.1 dB, (m) side	1 GHz to 2 GHz ≥ 16.5 dB, (f) side
Attenuation	5.72 dB (non warranted)	
Power handling (at 25 °C, sea level)	≤ 1 W, derated linearity by 0.01 W/K	

Mechanical data

Mating cycles	≥ 500
Center contact captivation	≥ 27 N

Environmental data

Temperature range	-65 °C to +165 °C
RoHS	compliant

Tooling

N/A

Suitable cables

N/A

Packing

Standard	1 pce in bag
Weight	24.5 g/pce

While the information has been carefully compiled to the best of our knowledge, nothing is intended as representation or warranty on our part and no statement herein shall be construed as recommendation to infringe existing patents. In the effort to improve our products, we reserve the right to make changes judged to be necessary.

Draft	Date	Approved	Date	Rev.	Engineering change number	Name	Date
Kerstin Herzog	10.03.05	Markus Müller	22.05.18	c00	18-1027	Marion Striegler	22.05.18
Rosenberger Hochfrequenztechnik GmbH & Co. KG P.O.Box 1260 D-84526 Tittmoning Germany www.rosenberger.de					Tel. : +49 8684 18-0 Email : info@rosenberger.de		Page 2 / 2