



Chipsmall Limited consists of a professional team with an average of over 10 year of expertise in the distribution of electronic components. Based in Hongkong, we have already established firm and mutual-benefit business relationships with customers from,Europe,America and south Asia,supplying obsolete and hard-to-find components to meet their specific needs.

With the principle of “Quality Parts,Customers Priority,Honest Operation,and Considerate Service”,our business mainly focus on the distribution of electronic components. Line cards we deal with include Microchip,ALPS,ROHM,Xilinx,Pulse,ON,Everlight and Freescale. Main products comprise IC,Modules,Potentiometer,IC Socket,Relay,Connector.Our parts cover such applications as commercial,industrial, and automotives areas.

We are looking forward to setting up business relationship with you and hope to provide you with the best service and solution. Let us make a better world for our industry!



## Contact us

Tel: +86-755-8981 8866 Fax: +86-755-8427 6832

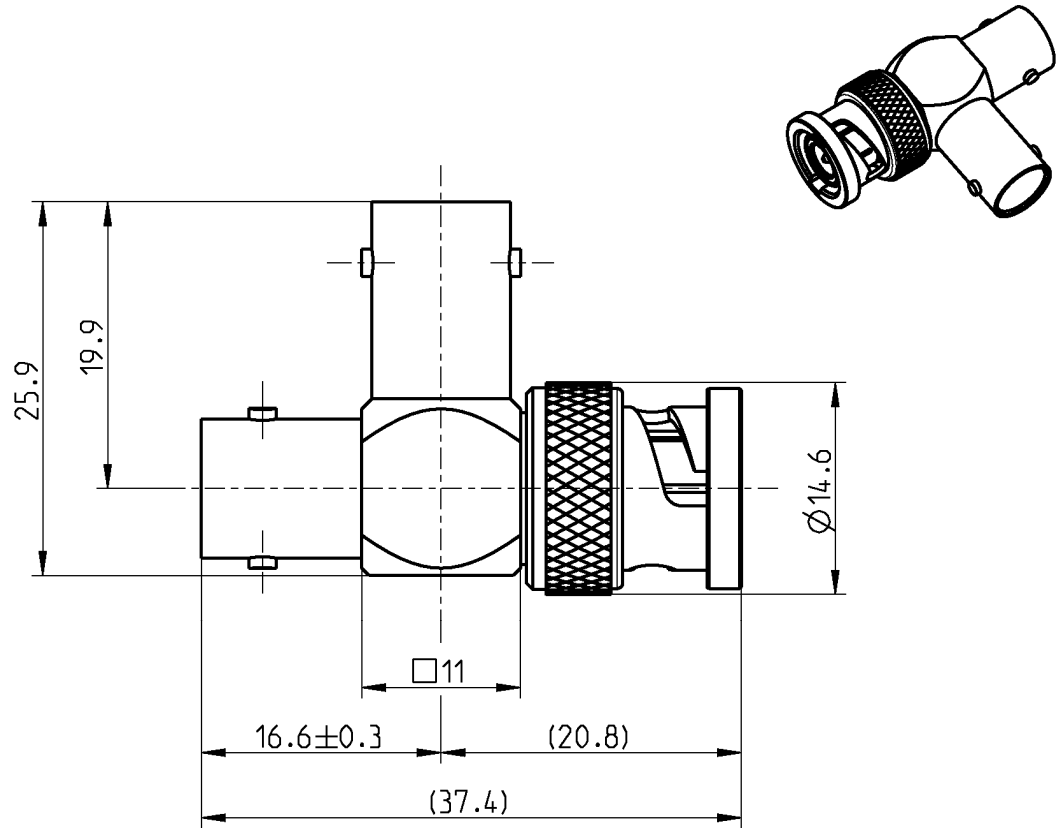
Email & Skype: info@chipsmall.com Web: www.chipsmall.com

Address: A1208, Overseas Decoration Building, #122 Zhenhua RD., Futian, Shenzhen, China



adaptor  
BNC 50 Ω plug – jack - jack

**51S303-K00N5**



All dimensions are in mm; tolerances according to ISO 2768 m-H

**Interface**

According to IEC 60169-8, MIL-PRF-39012, CECC 22120

**Documents**

N/A

**Material and plating**

**Connector parts**

Center contact  
Outer contact  
Body  
Dielectric  
Gasket

**Material**

CuBe  
Brass  
Brass  
PTFE  
NeopreneCR 50C6

**Plating**

AuroDur®, gold plated  
Flash white bronze over silver(e.g. Optargen®)  
Flash white bronze over silver(e.g. Optargen®)

adaptor  
BNC 50  $\Omega$  plug – jack - jack

**51S303-K00N5****Electrical data**

Impedance	50 $\Omega$
Frequency	DC to 10 GHz
Insulation resistance	$\geq 5 \times 10^3$ M $\Omega$
Center contact resistance	$\leq 1.5$ m $\Omega$
Outer contact resistance	$\leq 1$ m $\Omega$
Test voltage	1500 V rms
Working voltage	400 V rms
Power handling (at 20 °C, sea level, VSWR 1.0)	$\leq 80$ W @ 2 GHz

**Mechanical data**

Mating cycles	min. 500
Center contact captivation: axial	$\geq 15$ N

**Environmental data**

Temperature range	-55°C to +155°C
Thermal shock	MIL-STD-202, Meth. 107, Cond. B
Corrosion	MIL-STD-202, Meth. 101, Cond. B
Vibration	MIL-STD-202, Meth. 204, Cond. B
Shock	MIL-STD-202, Meth. 213, Cond. G
Moisture resistance	MIL-STD-202, Meth. 106
RoHS	compliant

**Tooling**

N/A

**Suitable cables**

N/A

**Weight**

Weight 24.2 g/pce

While the information has been carefully compiled to the best of our knowledge, nothing is intended as representation or warranty on our part and no statement herein shall be construed as recommendation to infringe existing patents. In the effort to improve our products, we reserve the right to make changes judged to be necessary.

Draft	Date	Approved	Date	Rev.	Engineering change number	Name	Date
Chr. Entfellner	17/07/08	Sa. Krautenbacher	18.03.14	e00	14-0352	T. Krojer	18.03.14
Rosenberger Hochfrequenztechnik GmbH & Co. KG P.O.Box 1260 D-84526 Tittmoning Germany <a href="http://www.rosenberger.de">www.rosenberger.de</a>					Tel.: +49 8684 18-0 Fax: +49 8684 18-499 email: <a href="mailto:info@rosenberger.de">info@rosenberger.de</a>		Page 2 / 2