



Chipsmall Limited consists of a professional team with an average of over 10 year of expertise in the distribution of electronic components. Based in Hongkong, we have already established firm and mutual-benefit business relationships with customers from,Europe,America and south Asia,supplying obsolete and hard-to-find components to meet their specific needs.

With the principle of “Quality Parts,Customers Priority,Honest Operation,and Considerate Service”,our business mainly focus on the distribution of electronic components. Line cards we deal with include Microchip,ALPS,ROHM,Xilinx,Pulse,ON,Everlight and Freescale. Main products comprise IC,Modules,Potentiometer,IC Socket,Relay,Connector.Our parts cover such applications as commercial,industrial, and automotives areas.

We are looking forward to setting up business relationship with you and hope to provide you with the best service and solution. Let us make a better world for our industry!



Contact us

Tel: +86-755-8981 8866 Fax: +86-755-8427 6832

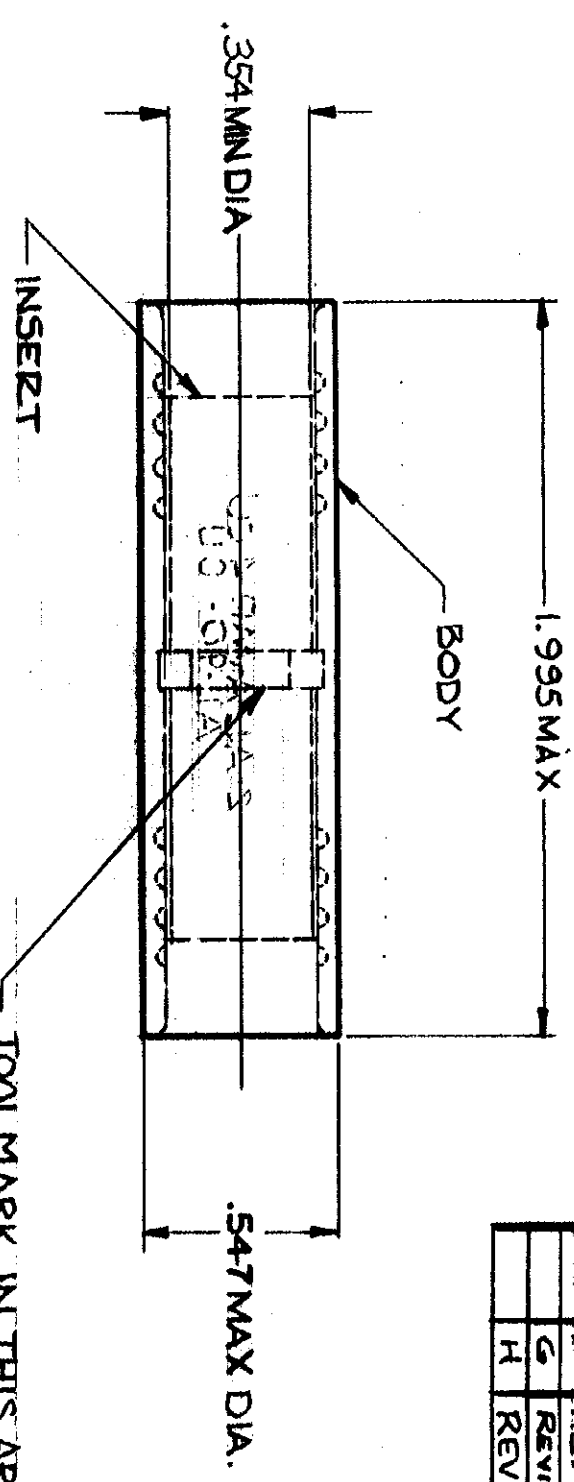
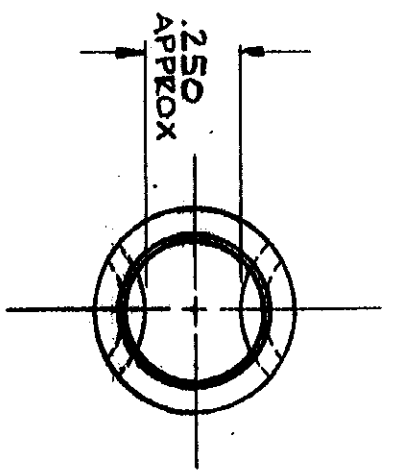
Email & Skype: info@chipsmall.com Web: www.chipsmall.com

Address: A1208, Overseas Decoration Building, #122 Zhenhua RD., Futian, Shenzhen, China



© 1968 BY AMP INCORPORATED. ALL RIGHTS RESERVED. AMP PRODUCTS COVERED BY PATENTS AND/OR PATENTS PENDING.

NUMBER 52007



ZONE	LTR	DESCRIPTION	DATE	APPROVED
0		NPS 68-0306 (REV 1) <i>gms</i>	9-10-68	<i>RHW</i>
A		REV TITLE PER ECN P-5545 <i>gms</i>	12-6-68	<i>RHW</i>
B		REV: .547 MAX DIA W/ .537 MAX DIA P-6002 <i>gms</i>	4-18-69	<i>RHW</i>
C		CHANGED .36970 .354 PER ECN P-6105 <i>gms</i>	9-16-69	<i>FCY</i>
D		REVISED PER ECN P-6263 <i>gms</i>	1-8-70	<i>FCY</i>
E		REMOVED ENGINEERING CONT. P-6288 <i>gms</i>	4-17-70	<i>FCY</i>
F		REVISED PER ECN F-578 <i>gms</i>	1-11-72	<i>gms</i>
G		REVISED PER G-2072 <i>gms</i>	3-21-87	<i>gms</i>
H		REV PER G-5318 <i>gms</i>	10/25/89	<i>WST</i>

QTY	DESCRIPTION	PART NO.	MATERIAL # FINISH
1	WIRE SPlice	52007	BODY: COPPER (QQ-C-576) TIN PL (MIL-T-10727) INSERT: BRASS (MIL-C-50) TIN PL (MIL-T-10727).0003MIN EXT THK.

<p>UNLESS OTHERWISE SPECIFIED DIM. ARE IN INCHES. TOLERANCES ON: DECIMALS ±.000 ANGLES ± 5° MATERIAL SEE TABLE</p>	
<p>CONTRACT NO. B-3-68</p> <p>DESIGN APPRO. <i>gms</i></p> <p>OTHER APPRO.</p>	<p>AMP INCORPORATED HARRISBURG, PENNSYLVANIA</p> <p>WIRE SPlice - BUTT COPALUM-STRANDED/SOLID WIRE SIZE #2AL-4CU</p> <p>SCALE 2:1</p> <p>WT CALC ACTUAL</p>

AMP INFO
LOC 5861
FINISH SBE TABLE