



Chipsmall Limited consists of a professional team with an average of over 10 year of expertise in the distribution of electronic components. Based in Hongkong, we have already established firm and mutual-benefit business relationships with customers from,Europe,America and south Asia,supplying obsolete and hard-to-find components to meet their specific needs.

With the principle of “Quality Parts,Customers Priority,Honest Operation,and Considerate Service”,our business mainly focus on the distribution of electronic components. Line cards we deal with include Microchip,ALPS,ROHM,Xilinx,Pulse,ON,Everlight and Freescale. Main products comprise IC,Modules,Potentiometer,IC Socket,Relay,Connector.Our parts cover such applications as commercial,industrial, and automotives areas.

We are looking forward to setting up business relationship with you and hope to provide you with the best service and solution. Let us make a better world for our industry!



Contact us

Tel: +86-755-8981 8866 Fax: +86-755-8427 6832

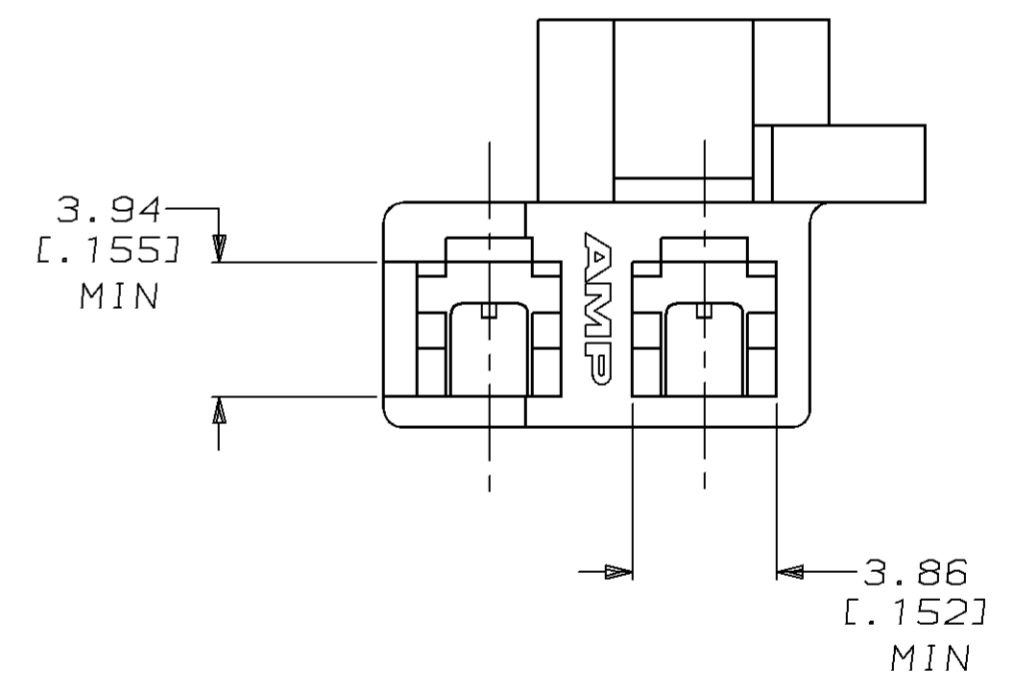
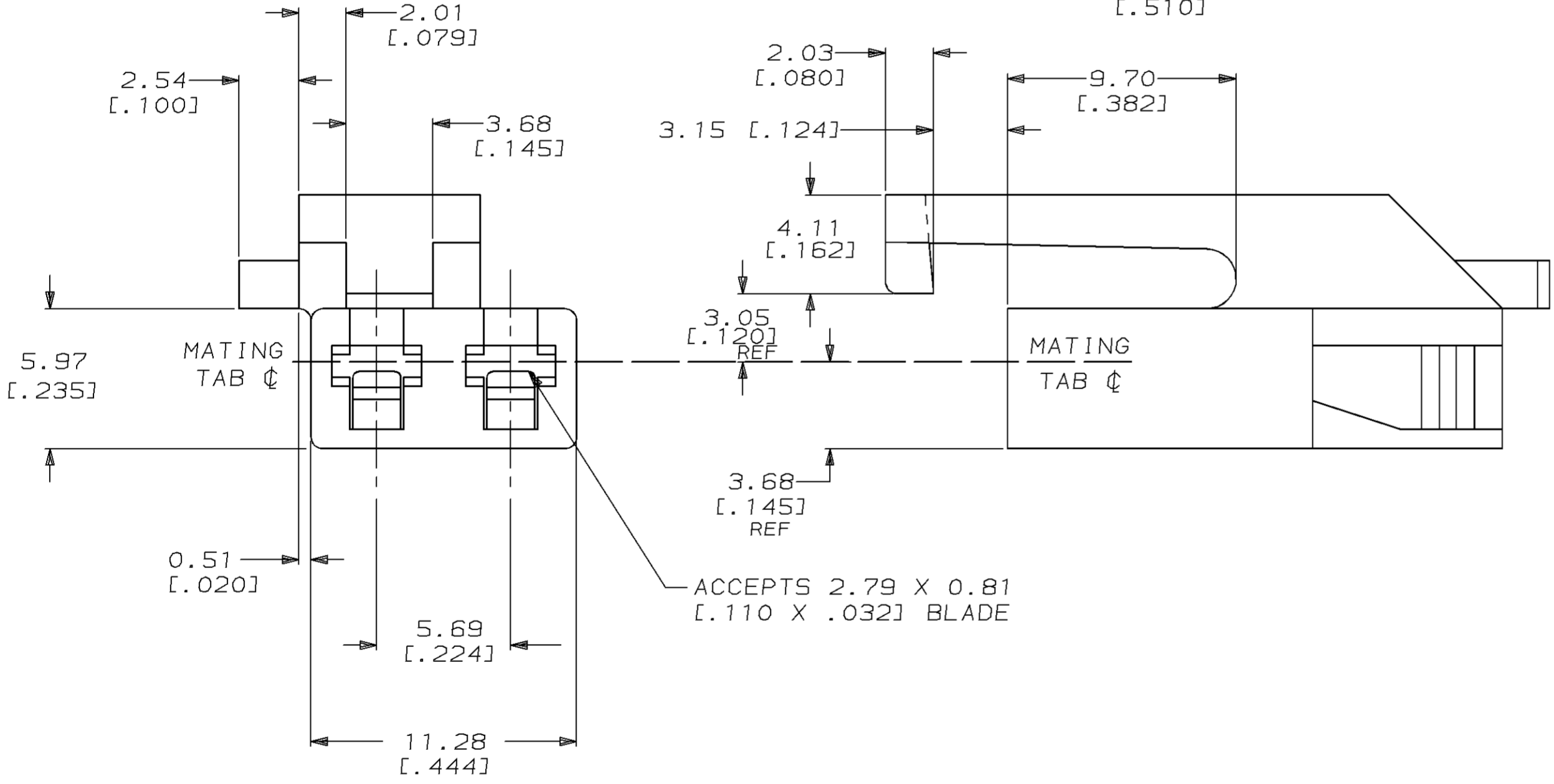
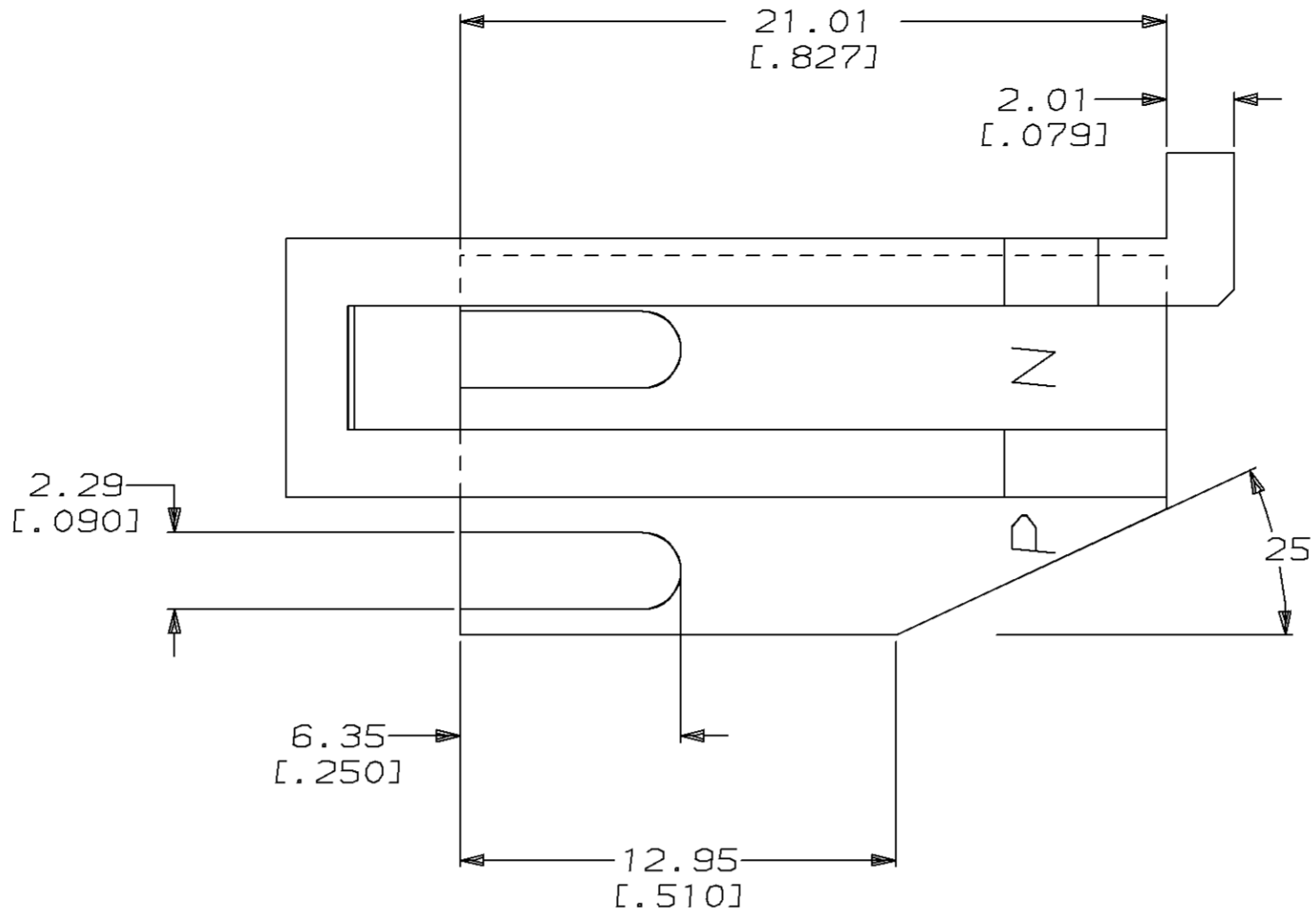
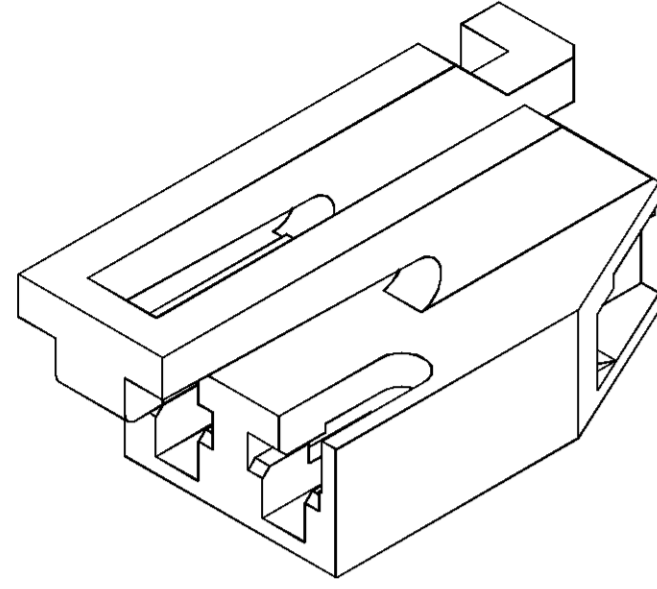
Email & Skype: info@chipsmall.com Web: www.chipsmall.com

Address: A1208, Overseas Decoration Building, #122 Zhenhua RD., Futian, Shenzhen, China



LOC	DIST	P	F	ZONE	LTR	DESCRIPTION	DATE	APPD
AF	50				J	REV PER 0710-0363-95	8/16/95	JR/RB

- 1 TERMINAL RETENTION 12 LBS MINIMUM AS MEASURED WITH GAGE#100716-147.
- 2 ALL YELLOW (520217-3) HOUSINGS TO CONTAIN LESS THAN 75 PPM CADMIUM.



NATURAL VALOX 325	520217-4
YELLOW 6/6 NYLON	520217-3
BLACK 6/6 NYLON	520217-2
NATURAL 6/6 NYLON	520217-1

OBSOLETE

DO NOT SCALE PRINT. UNLESS SPECIFIED DIMENSIONS IN mm [INCHES] TOLERANCES ON : 2 PLC DEC ± 0.38 [.015] 3 PLC DEC ± - ANGLES ± -		DR 12/6/94 JR RUTH		AMP AMP Incorporated Harrisburg, PA 17105-3608	
MATERIAL SEE TABLE		CHK 12/6/94 MS FEHER			
FINISH SEE TABLE		APPD 12/6/94 R BEAVER		NAME HOUSING, RECPT., FASTON, 2.79 [.110] SERIES (2 CIRCUIT)	
		APPD 12/6/94 R REINER		SIZE C 00779	
		PRODUCT SPEC -		DRAWING NO G=520217	
		APPLICATION SPEC -		SCALE 5:1	
		WEIGHT -		SHEET 1 OF 1	

THIS DRAWING IS A CONTROLLED DOCUMENT FOR AMP INCORPORATED. IT IS SUBJECT TO CHANGE AND THE CONTROLLING ENGINEERING ORGANIZATION SHOULD BE CONTACTED FOR THE LATEST REVISION.