



Chipsmall Limited consists of a professional team with an average of over 10 year of expertise in the distribution of electronic components. Based in Hongkong, we have already established firm and mutual-benefit business relationships with customers from,Europe,America and south Asia,supplying obsolete and hard-to-find components to meet their specific needs.

With the principle of “Quality Parts,Customers Priority,Honest Operation,and Considerate Service”,our business mainly focus on the distribution of electronic components. Line cards we deal with include Microchip,ALPS,ROHM,Xilinx,Pulse,ON,Everlight and Freescale. Main products comprise IC,Modules,Potentiometer,IC Socket,Relay,Connector.Our parts cover such applications as commercial,industrial, and automotives areas.

We are looking forward to setting up business relationship with you and hope to provide you with the best service and solution. Let us make a better world for our industry!



## Contact us

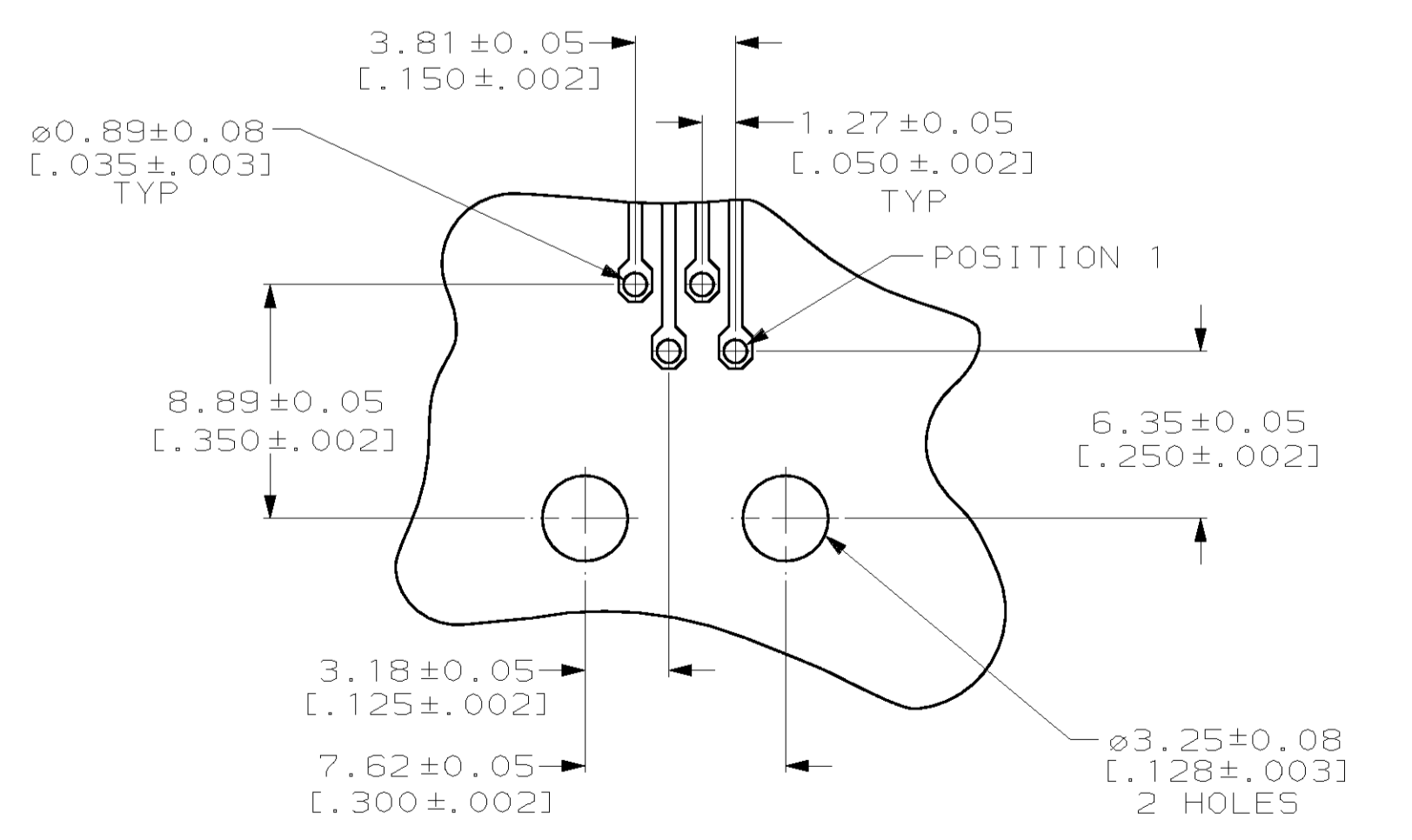
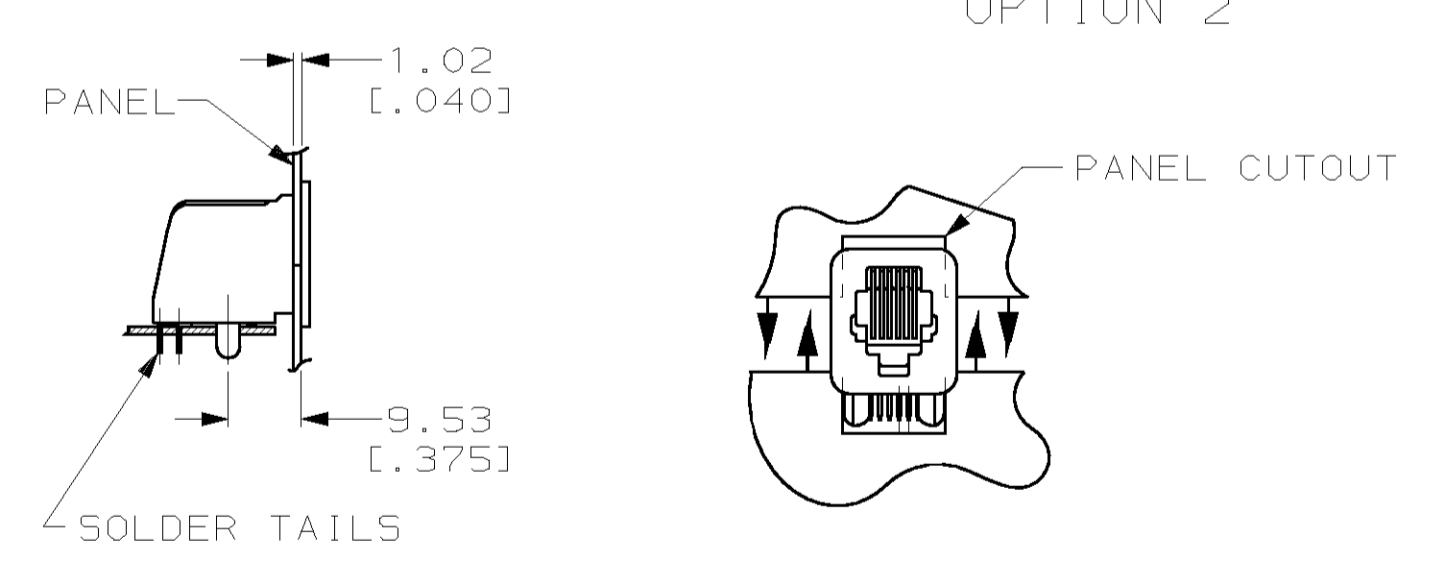
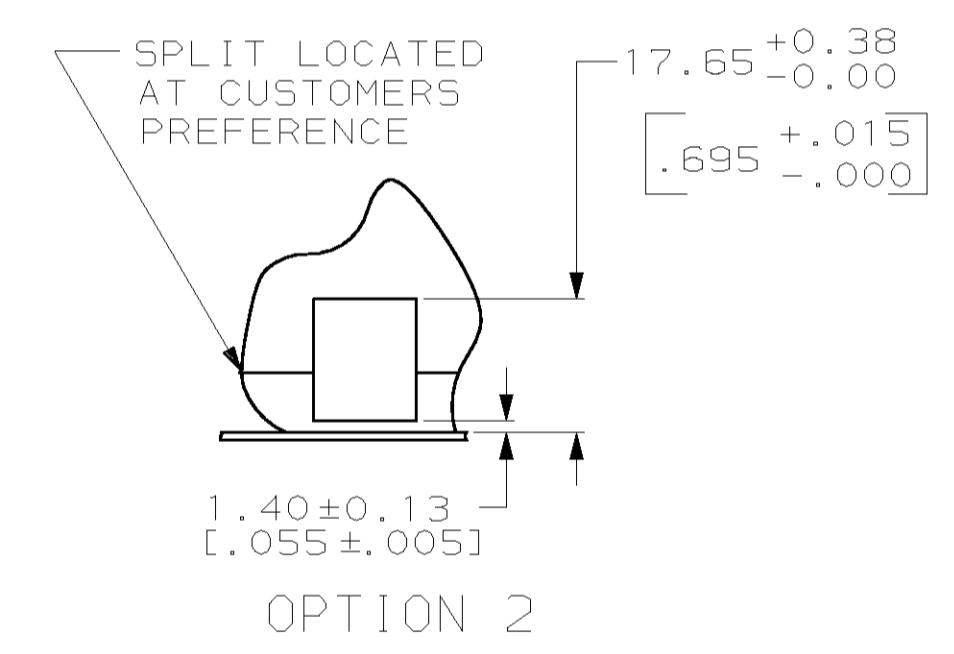
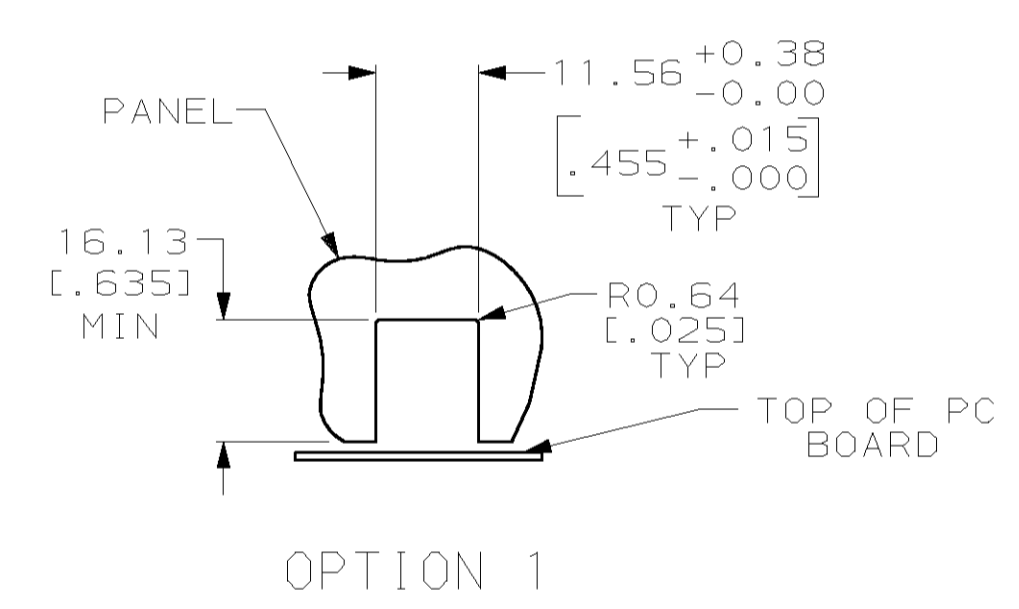
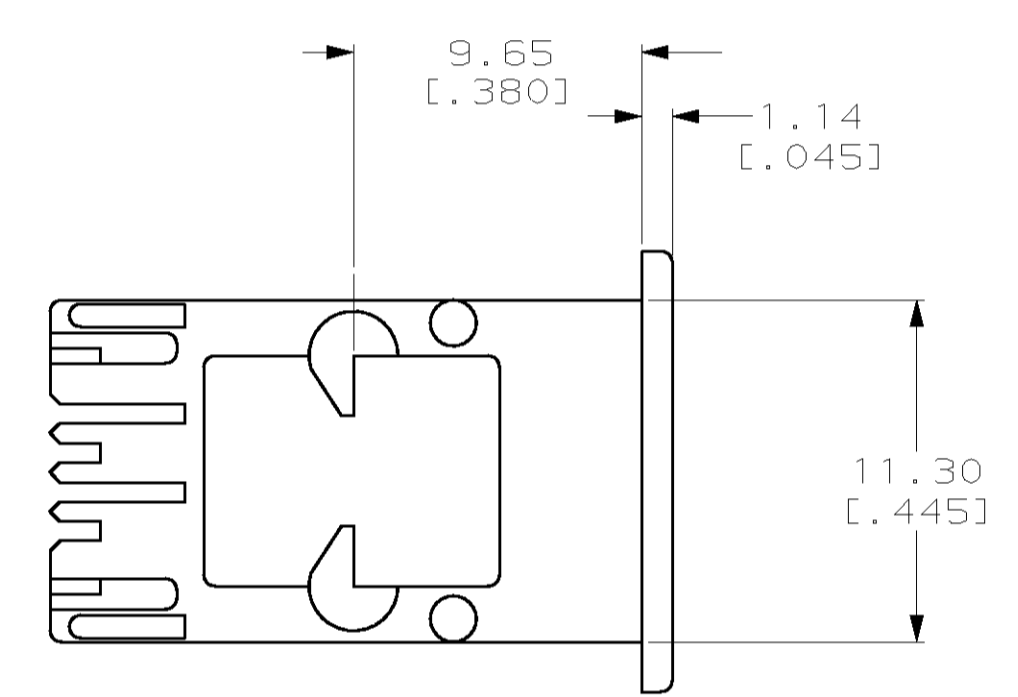
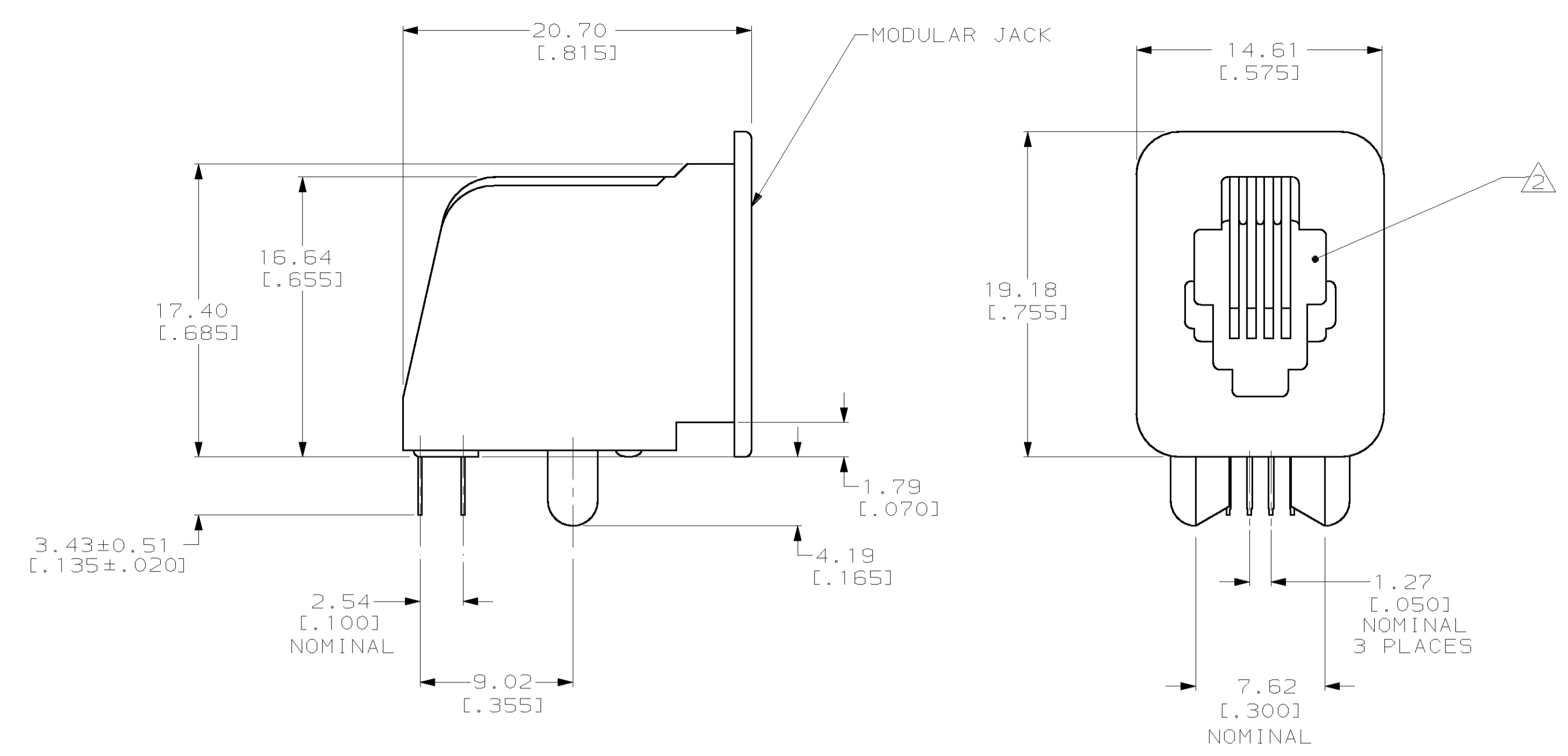
Tel: +86-755-8981 8866 Fax: +86-755-8427 6832

Email & Skype: info@chipsmall.com Web: www.chipsmall.com

Address: A1208, Overseas Decoration Building, #122 Zhenhua RD., Futian, Shenzhen, China



LOC	DIST	REVISIONS			
F	CHR	DESCRIPTION	DATE	OWN	APVD
E		REVISED, EC 0210-0051-94	10MAR94	KT	NJ



SUGGESTED PRINTED CIRCUIT BOARD LAYOUT  
 (VIEW SHOWN IS CIRCUIT SIDE OF BOARD)

- 1 MATERIAL: HOUSING - PBT POLYESTER (BLACK).  
 TERMINAL - 0.35 [.0138] THICK PHOS-BRONZE PLATED WITH 0.0013 [.00005] THICK HARD GOLD IN LOCALIZED GOLD PLATE AREA AND 0.0020 [.00008] THICK TIN-LEAD IN SOLDER AREA OVER 0.0013 [.00005] THICK NICKEL UNDERPLATE.
- 2 CAVITY CONFORMS TO FCC RULES AND REGULATIONS PART 68 AND REA BULLETIN 345-81, PE-76 SPECIFICATION FOR MODULAR TELEPHONE HARDWARE.
- 3. ALL DIMENSIONS ARE MAXIMUM UNLESS OTHERWISE SPECIFIED.

520241-2  
 PART NUMBER

THIS DRAWING IS A CONTROLLED DOCUMENT.		DWG: K. TILLMAN/UTA 10 MAR 94		AMP Incorporated	
DIMENSIONS: mm [INCHES]		CHK: N. JONES 01 APR 94		Harrisburg, PA 17105-3608	
TOLERANCES UNLESS OTHERWISE SPECIFIED:		APP'D: J. TONEY 01 APR 94		NAME: PRINTED CIRCUIT BOARD MODULAR JACK ASSEMBLY, SIDE ENTRY, 4 POSITION, FLANGED	
0 PLC ±.01		PRODUCT SPEC: 108-1163		SIZE: 114-2048	
1 PLC ±.02		APPLICATION SPEC: 114-2048		WEIGHT: -	
2 PLC ±.03		MATERIAL: -		CUSTOMER DRAWING	
3 PLC ±.04		FINISH: -		SCALE: 4:1	
4 PLC ±.05		RESTRICTED TO: -		SHEET 1 OF 1	
ANGLES ±.01		A1 00779 520241		REV E	