



Chipsmall Limited consists of a professional team with an average of over 10 year of expertise in the distribution of electronic components. Based in Hongkong, we have already established firm and mutual-benefit business relationships with customers from,Europe,America and south Asia,supplying obsolete and hard-to-find components to meet their specific needs.

With the principle of "Quality Parts,Customers Priority,Honest Operation,and Considerate Service",our business mainly focus on the distribution of electronic components. Line cards we deal with include Microchip,ALPS,ROHM,Xilinx,Pulse,ON,Everlight and Freescale. Main products comprise IC,Modules,Potentiometer,IC Socket,Relay,Connector.Our parts cover such applications as commercial,industrial, and automotives areas.

We are looking forward to setting up business relationship with you and hope to provide you with the best service and solution. Let us make a better world for our industry!



Contact us

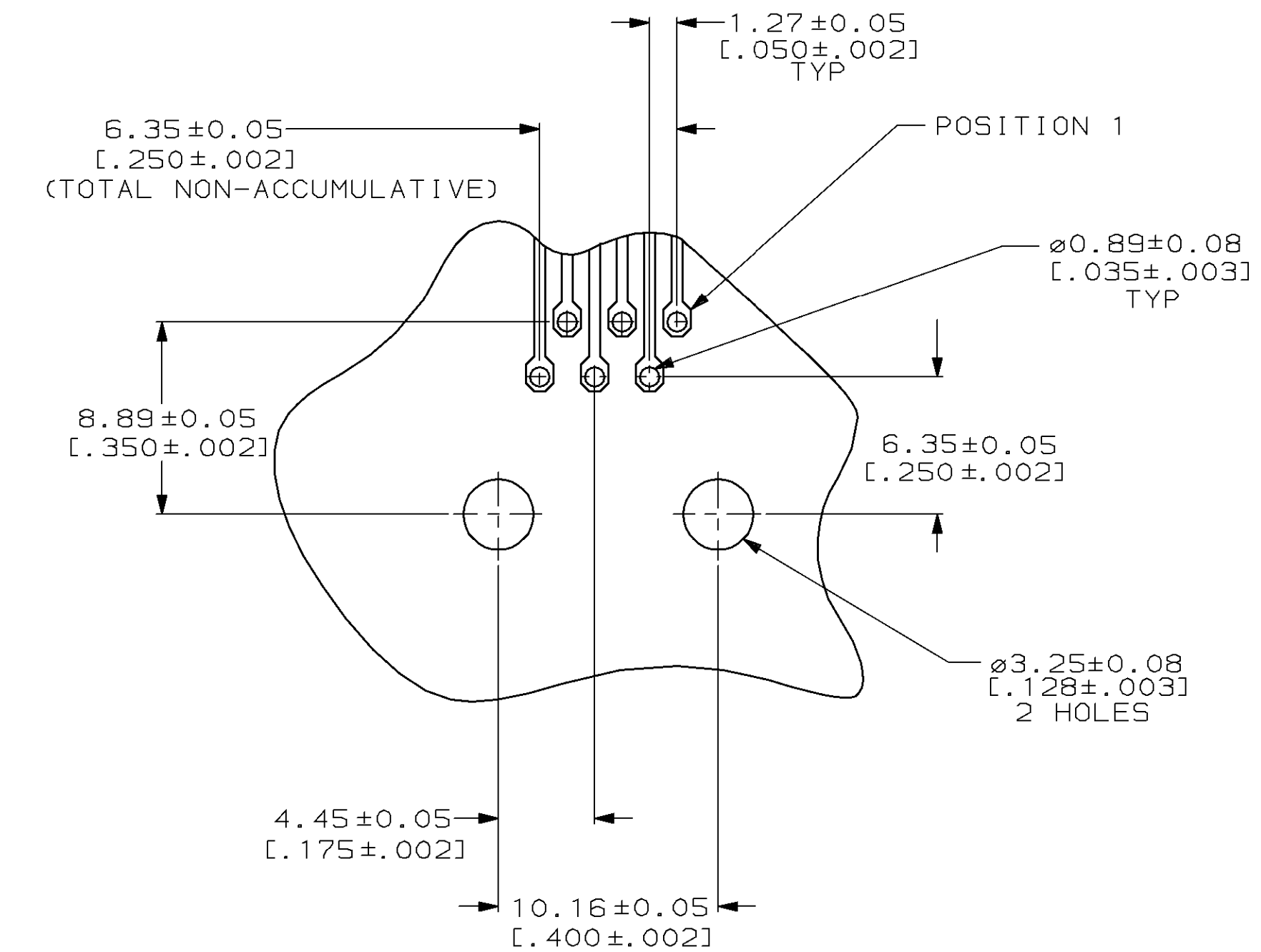
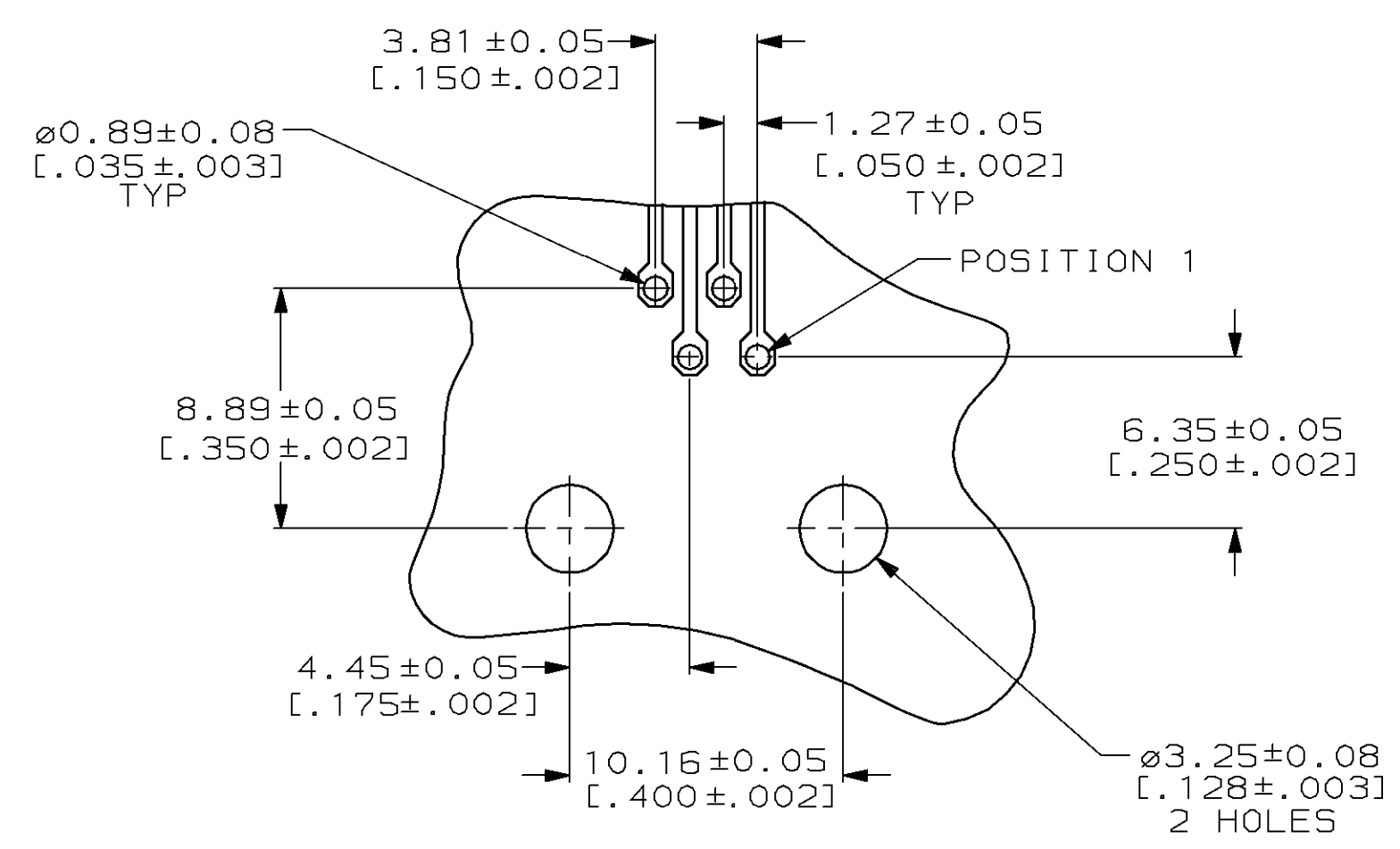
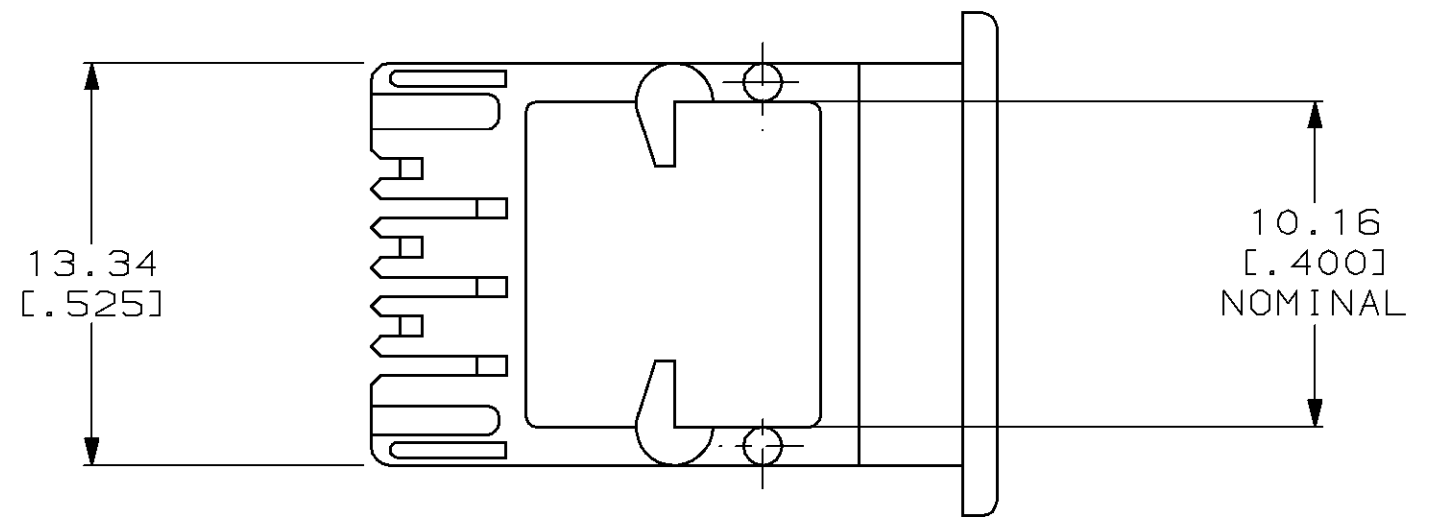
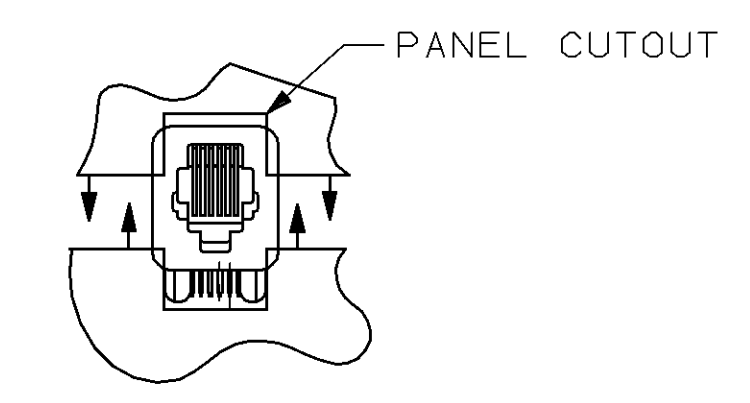
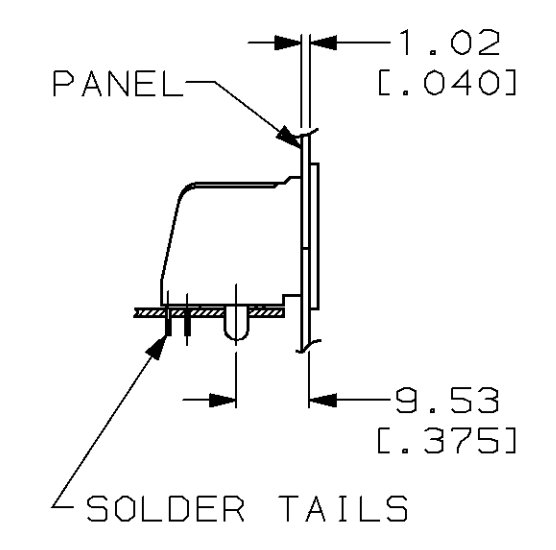
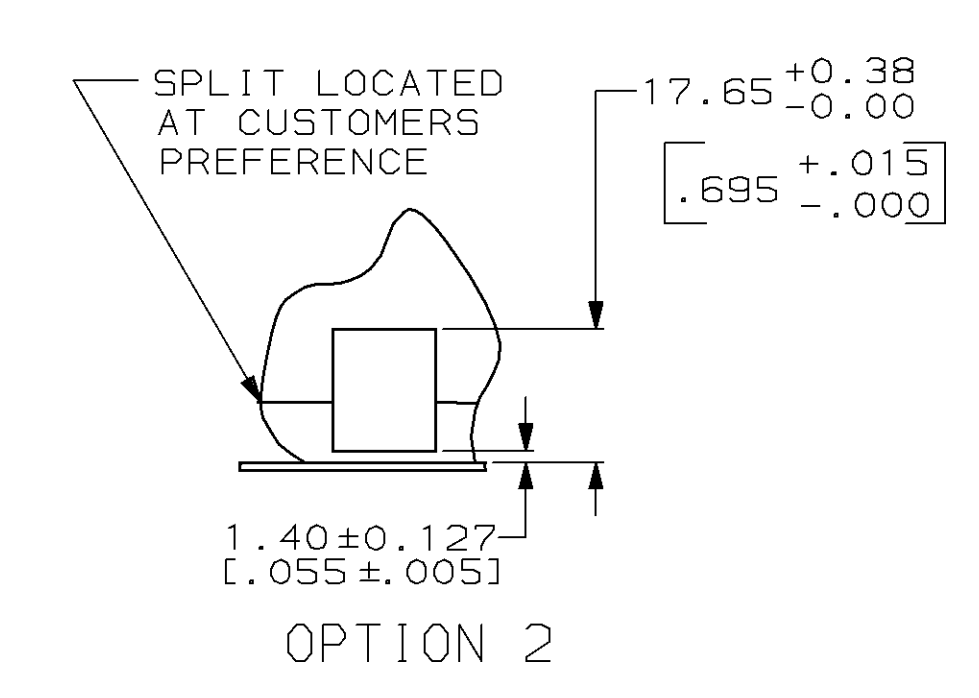
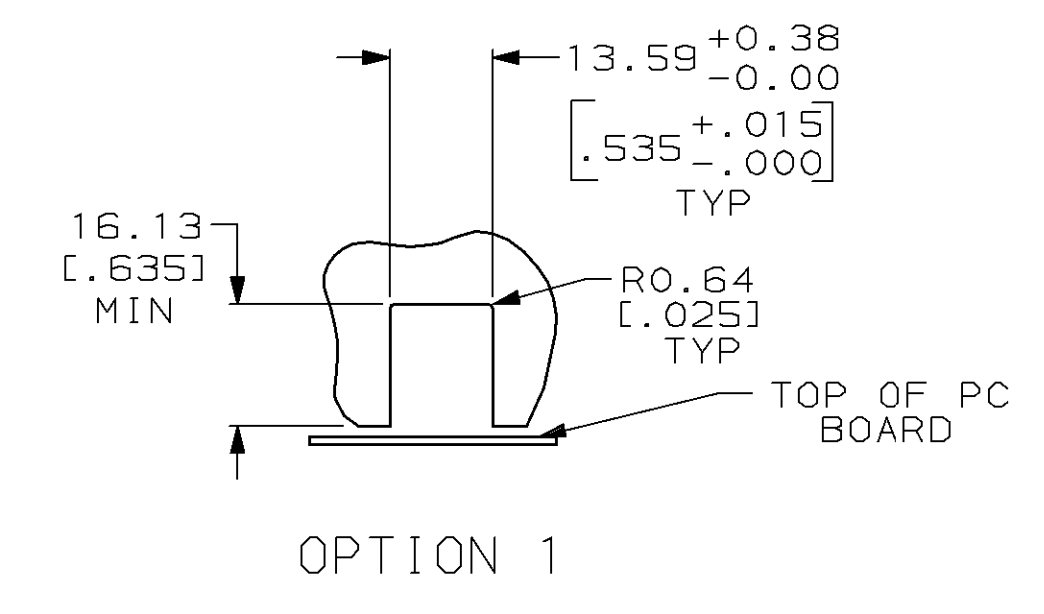
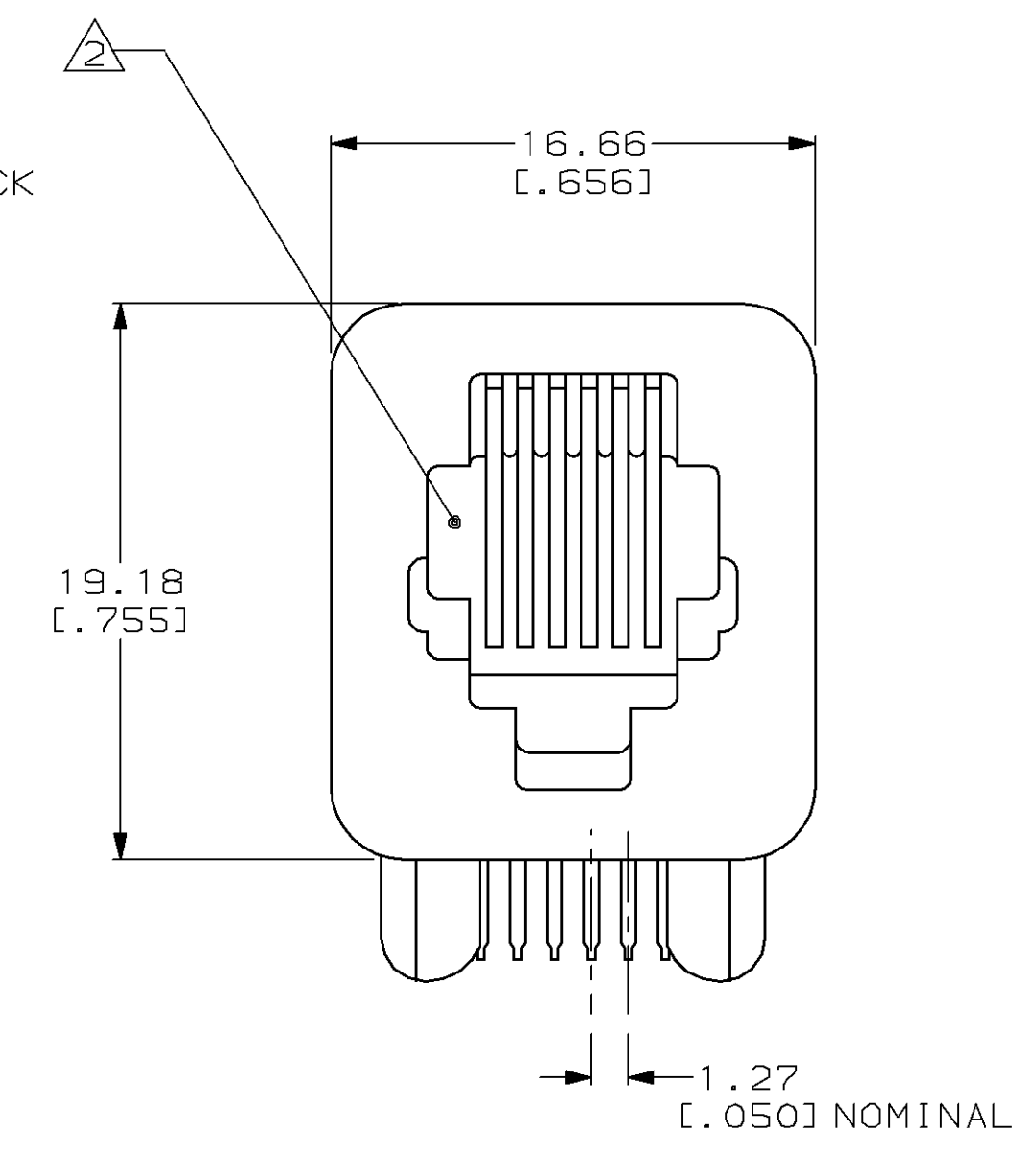
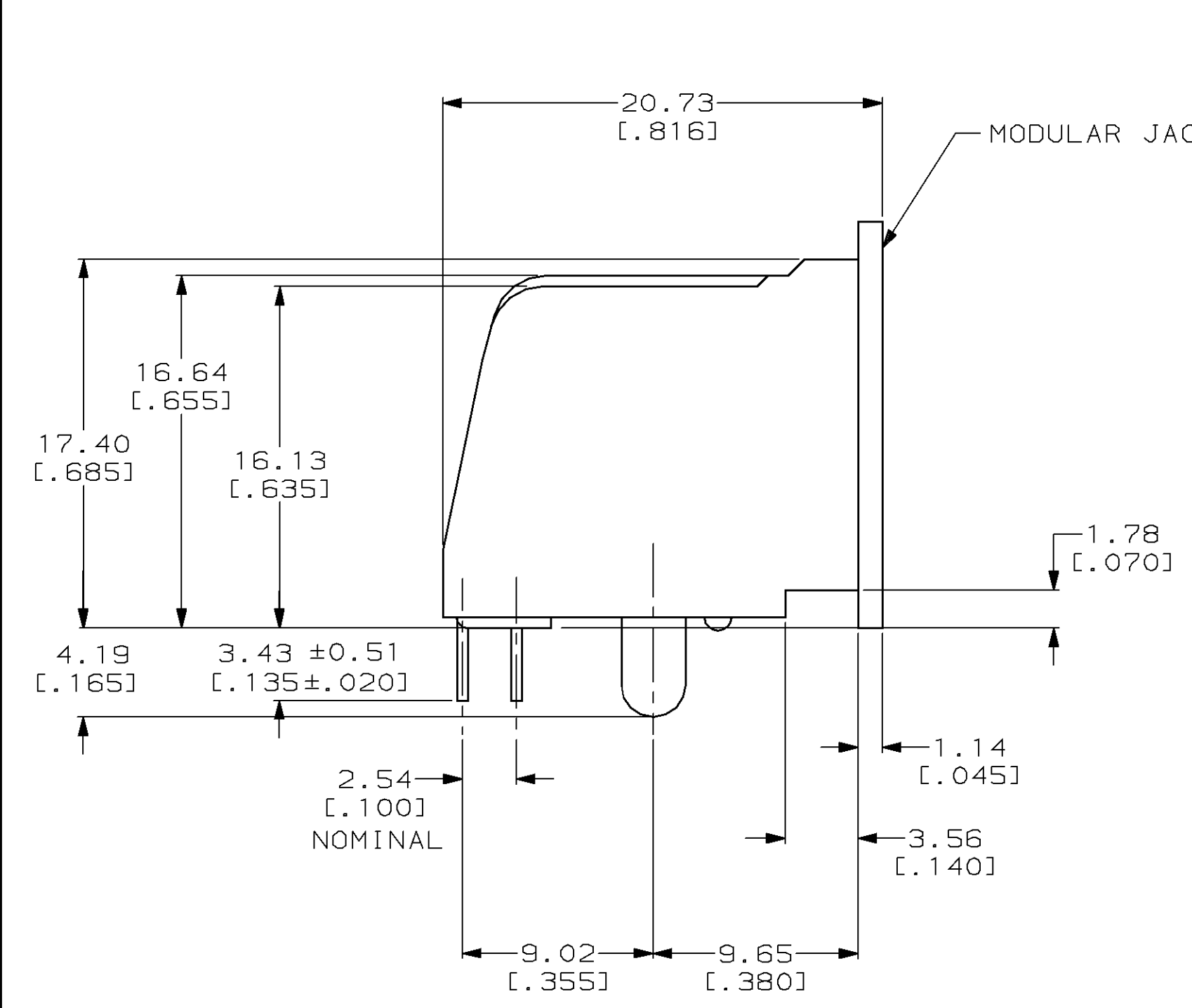
Tel: +86-755-8981 8866 Fax: +86-755-8427 6832

Email & Skype: info@chipsmall.com Web: www.chipsmall.com

Address: A1208, Overseas Decoration Building, #122 Zhenhua RD., Futian, Shenzhen, China



LOC		DIST		P		F		ZONE		LTR		REVISIONS		DATE	APPD	
AA	22												E	REVISED; EC 0210-0052-94	3-9-94	KT



- ⚠ MATERIAL: HOUSING - PBT POLYESTER, BLACK
 TERMINAL - 0.351 [.0138] THICK PHOS-BRONZE PLATED WITH 0.0013 [.00005] THICK HARD GOLD IN LOCALIZED GOLD PLATE AREA AND 0.0020 [.00008] THICK TIN-LEAD IN SOLDER AREA OVER 0.0013 [.00005] THICK NICKEL UNDERPLATE.
- ⚠ CAVITY CONFORMS TO FCC RULES AND REGULATIONS PART 68 AND REA BULLETIN 345-81, PE-76 SPECIFICATION FOR MODULAR TELEPHONE HARDWARE.
- 3. ALL DIMENSIONS ARE MAXIMUM UNLESS OTHERWISE SPECIFIED.

DO NOT SCALE PRINT. UNLESS SPECIFIED DIMENSIONS IN mm [INCHES]		DR 3-9-94 KTILLMAN/UTA		AMP Incorporated Harrisburg, PA 17105-3608	
TOLERANCES ON:		CHK 3-24-94 N. JONES			
2 PLC DEC ± -		APPD 3-28-94 J. TONEY		NAME	
3 PLC DEC ± -		APPD 3-29-94 H. MCGRATH		PRINTED CIRCUIT BOARD MODULAR JACK ASSEMBLY SIDE ENTRY, 6 POSITION, FLANGED	
ANGLES ± -		PRODUCT SPEC		108-1163	
MATERIAL		FINISH		SIZE	CAGE CODE
⚠		⚠		D	00779
		APPLICATION SPEC		DRAWING NO	
		114-2048		©-520242	
		WEIGHT -		SCALE	SHEET
				4:1	1 OF 1

THIS DRAWING IS A CONTROLLED DOCUMENT FOR AMP INCORPORATED. IT IS SUBJECT TO CHANGE AND THE CONTROLLING ENGINEERING ORGANIZATION SHOULD BE CONTACTED FOR THE LATEST REVISION.