



Chipsmall Limited consists of a professional team with an average of over 10 year of expertise in the distribution of electronic components. Based in Hongkong, we have already established firm and mutual-benefit business relationships with customers from,Europe,America and south Asia,supplying obsolete and hard-to-find components to meet their specific needs.

With the principle of “Quality Parts,Customers Priority,Honest Operation,and Considerate Service”,our business mainly focus on the distribution of electronic components. Line cards we deal with include Microchip,ALPS,ROHM,Xilinx,Pulse,ON,Everlight and Freescale. Main products comprise IC,Modules,Potentiometer,IC Socket,Relay,Connector.Our parts cover such applications as commercial,industrial, and automotives areas.

We are looking forward to setting up business relationship with you and hope to provide you with the best service and solution. Let us make a better world for our industry!



## Contact us

Tel: +86-755-8981 8866 Fax: +86-755-8427 6832

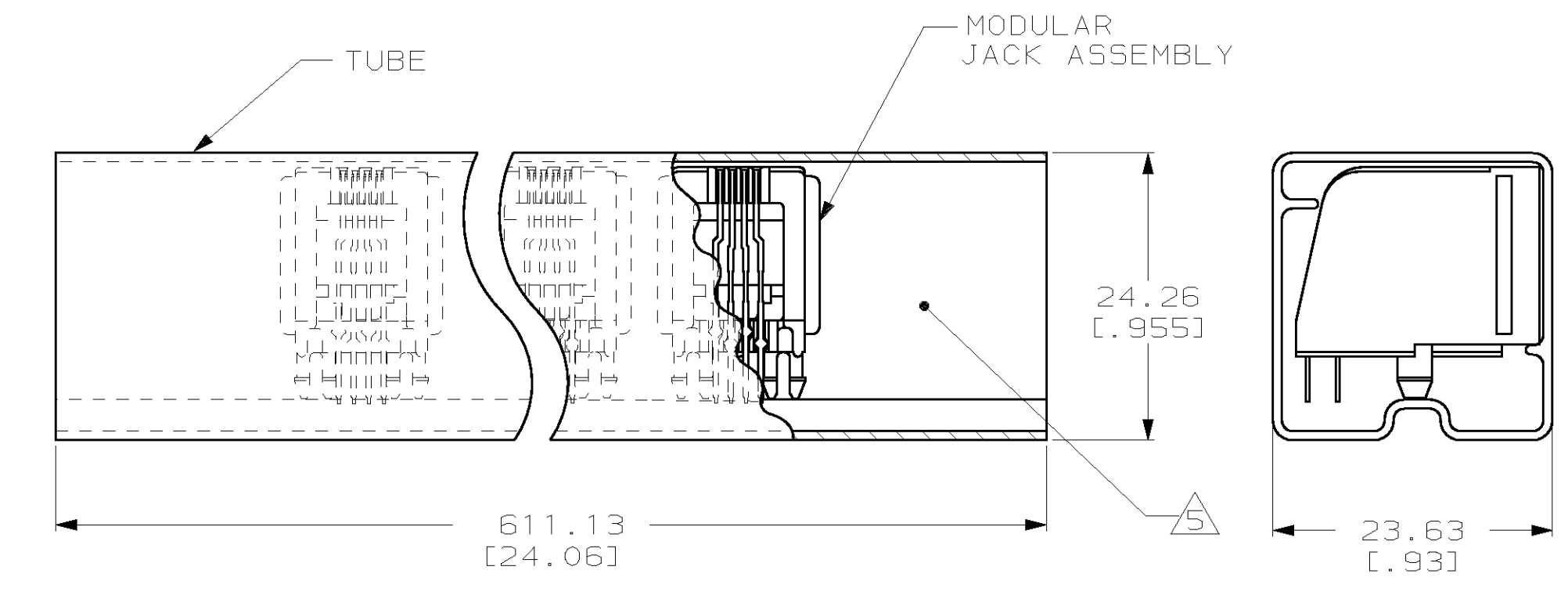
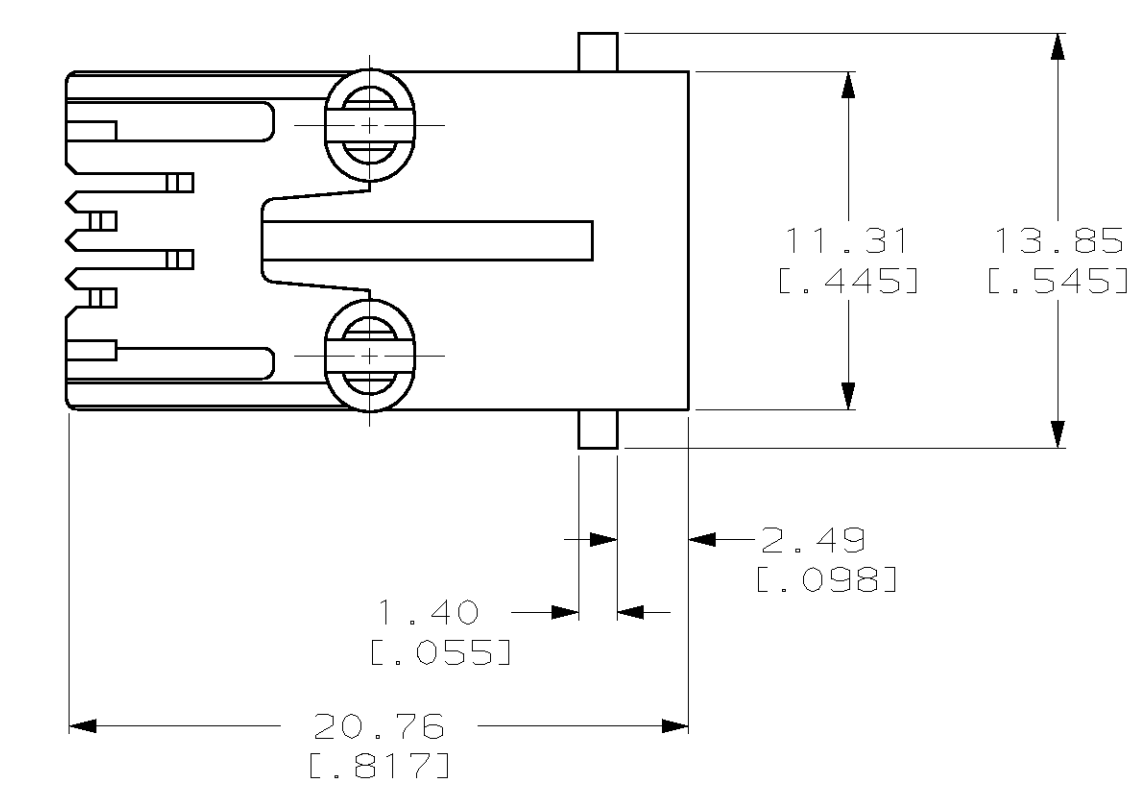
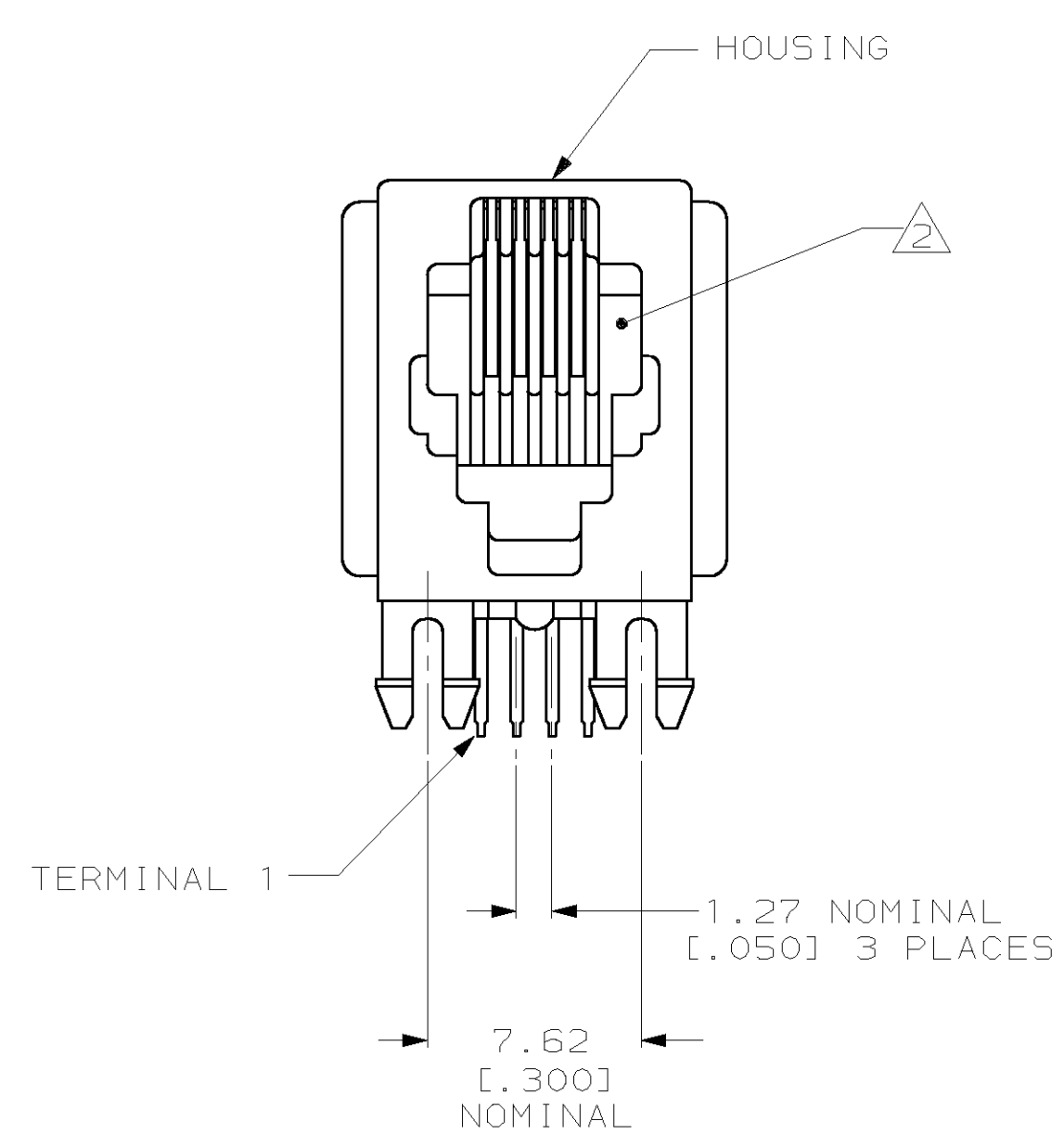
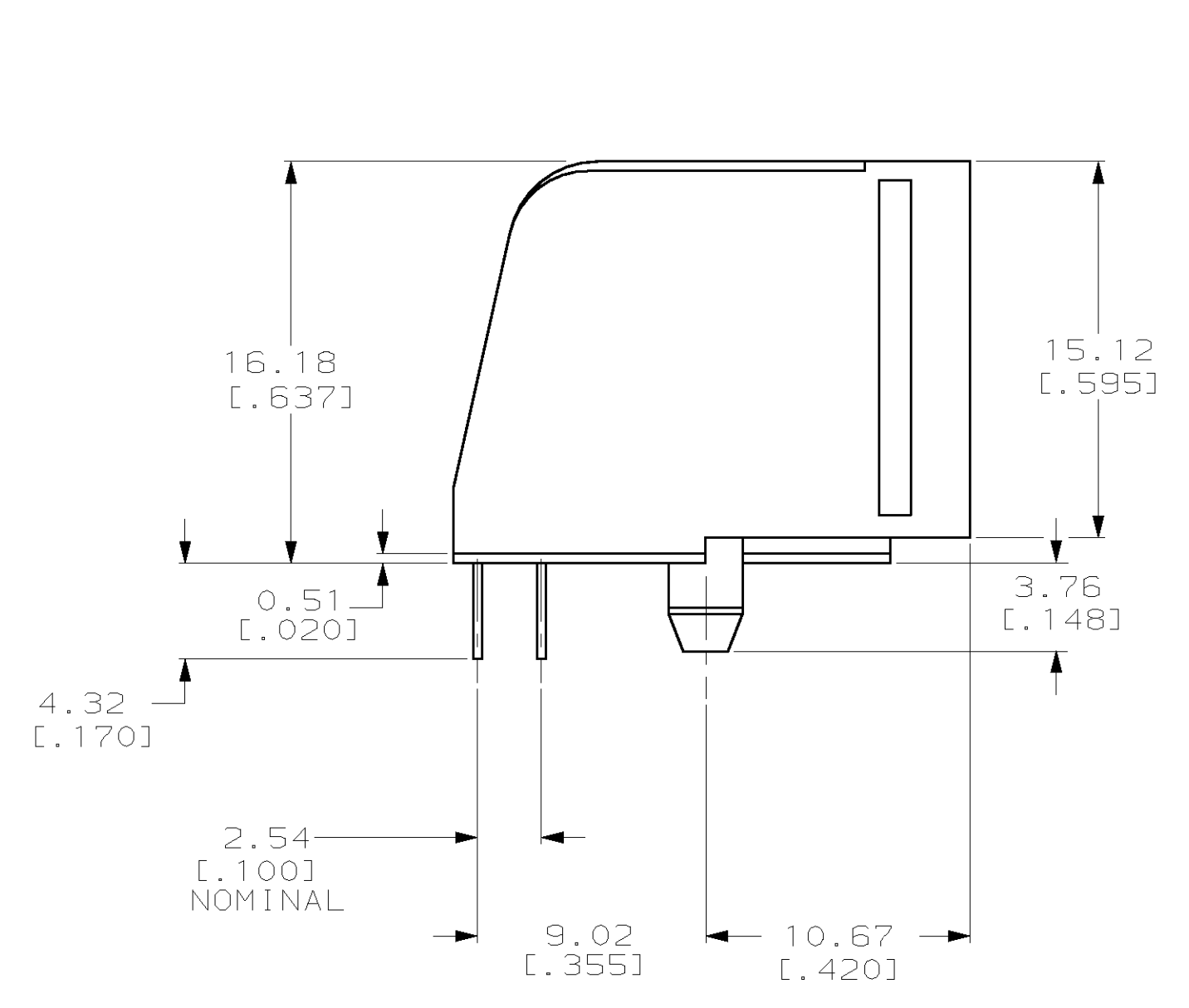
Email & Skype: info@chipsmall.com Web: www.chipsmall.com

Address: A1208, Overseas Decoration Building, #122 Zhenhua RD., Futian, Shenzhen, China

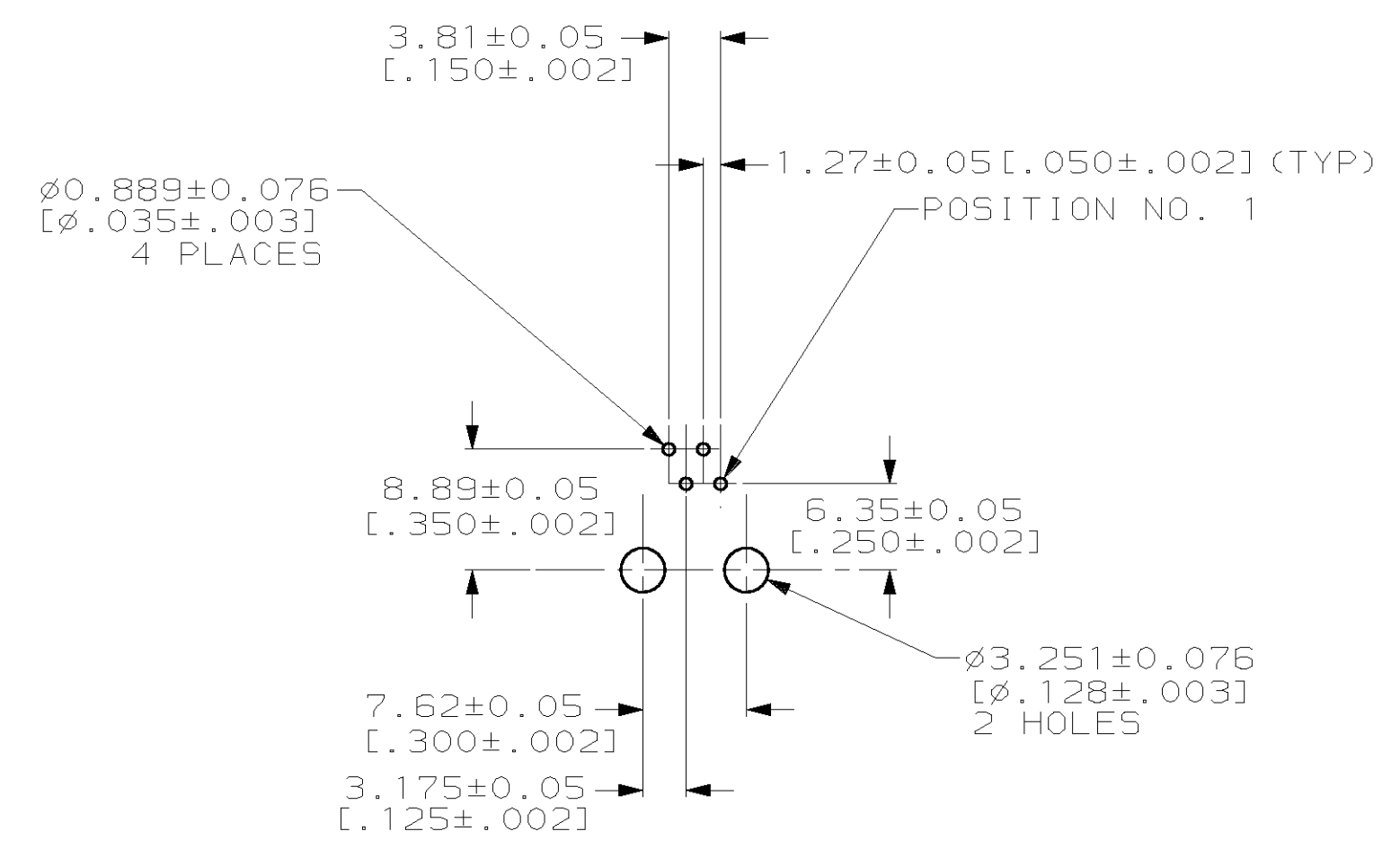


LOC	DIST	REV	DESCRIPTION	DATE	OWN	APVD
AA	22	S	SUPERSEDED: -3 & -4; EC OUF0-0006-01	20SEP01	DL	LLV

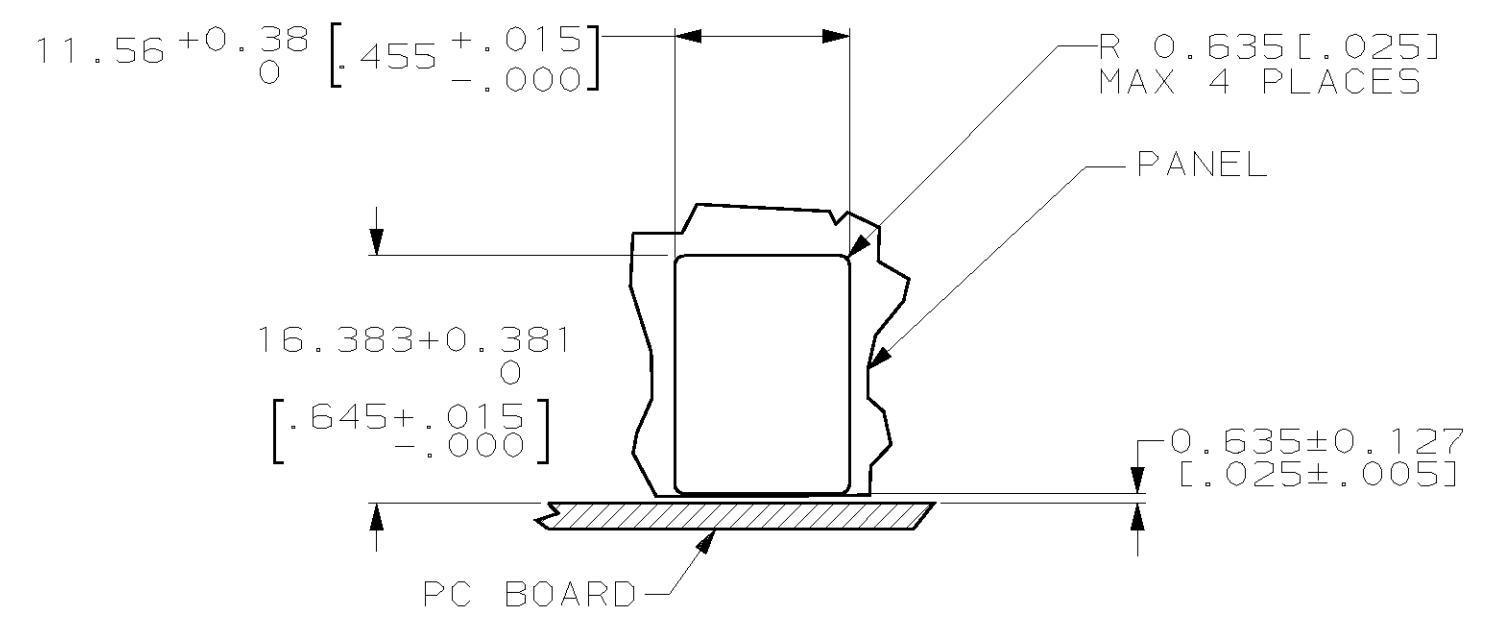
- ① MATERIAL: HOUSING - POLYESTER, SEE TABLE FOR COLOR.  
 TERMINAL - 0.35[.0138] THICK PHOS-BRONZE PLATED WITH 1.27µm [.000050] THICK HARD GOLD IN LOCALIZED GOLD PLATE AREA AND 2.03µm [.000080] THICK TIN LEAD IN SOLDER AREA OVER 1.27µm [.000050] THICK NICKEL UNDERPLATE.
- ② CAVITY CONFORMS TO FCC RULES AND REGULATIONS PART 68 AND REA BULLETIN 345-81 PE 76 SPECIFICATION FOR MODULAR TELEPHONE HARDWARE.
- ③ DIMENSION ARE MAXIMUM UNLESS OTHERWISE SPECIFIED.
- ④ BULK PACKAGED IN A TRAY.
- ⑤ PACKAGED 42 ASSEMBLIES PER TUBE WITH BOTH ENDS CLOSED, SEE DETAIL "A".
- ⑥ VIEW SHOWN IS CIRCUIT SIDE (NON-COMPONENT) SIDE OF BOARD.



DETAIL A  
SCALE 2:1



SUGGESTED PRINTED  
CIRCUIT BOARD LAYOUT  
SCALE 2:1



SUGGESTED PANEL CUTOUT  
SCALE 2:1

PACKAGE	COLOR	CONTACTS	PART NUMBER
⑤	BLACK	4	520249-4
④	DEC GRAY	4	520249-3
④	BLACK	4	520249-2

DIMENSIONS		TOLERANCES UNLESS OTHERWISE SPECIFIED		MATERIAL		FINISH	
mm	[INCHES]	0 PLC	±	③			
		1 PLC	±				
		2 PLC	±				
		3 PLC	±				
		4 PLC	±				
		ANGLES	±				

DWN	M. MAGE	3-27-84	AMP Incorporated Harrisburg, PA 17105-3608
CHK	T. CANTY	9-25-84	
APVD	L. WOLFF	10-4-84	NAME: PRINTED CIRCUIT BOARD MODULAR JACK ASSEMBLY, SIDE ENTRY, 4 POSITION, FLANGELESS, WITH PANEL STOPS
			SIZE: A1
			CAGE CODE: 00779
			DRAWING NO: C-520249
			SCALE: 4:1
			SHEET 1 OF 1
			REV 5