



Chipsmall Limited consists of a professional team with an average of over 10 year of expertise in the distribution of electronic components. Based in Hongkong, we have already established firm and mutual-benefit business relationships with customers from,Europe,America and south Asia,supplying obsolete and hard-to-find components to meet their specific needs.

With the principle of “Quality Parts,Customers Priority,Honest Operation,and Considerate Service”,our business mainly focus on the distribution of electronic components. Line cards we deal with include Microchip,ALPS,ROHM,Xilinx,Pulse,ON,Everlight and Freescale. Main products comprise IC,Modules,Potentiometer,IC Socket,Relay,Connector.Our parts cover such applications as commercial,industrial, and automotives areas.

We are looking forward to setting up business relationship with you and hope to provide you with the best service and solution. Let us make a better world for our industry!



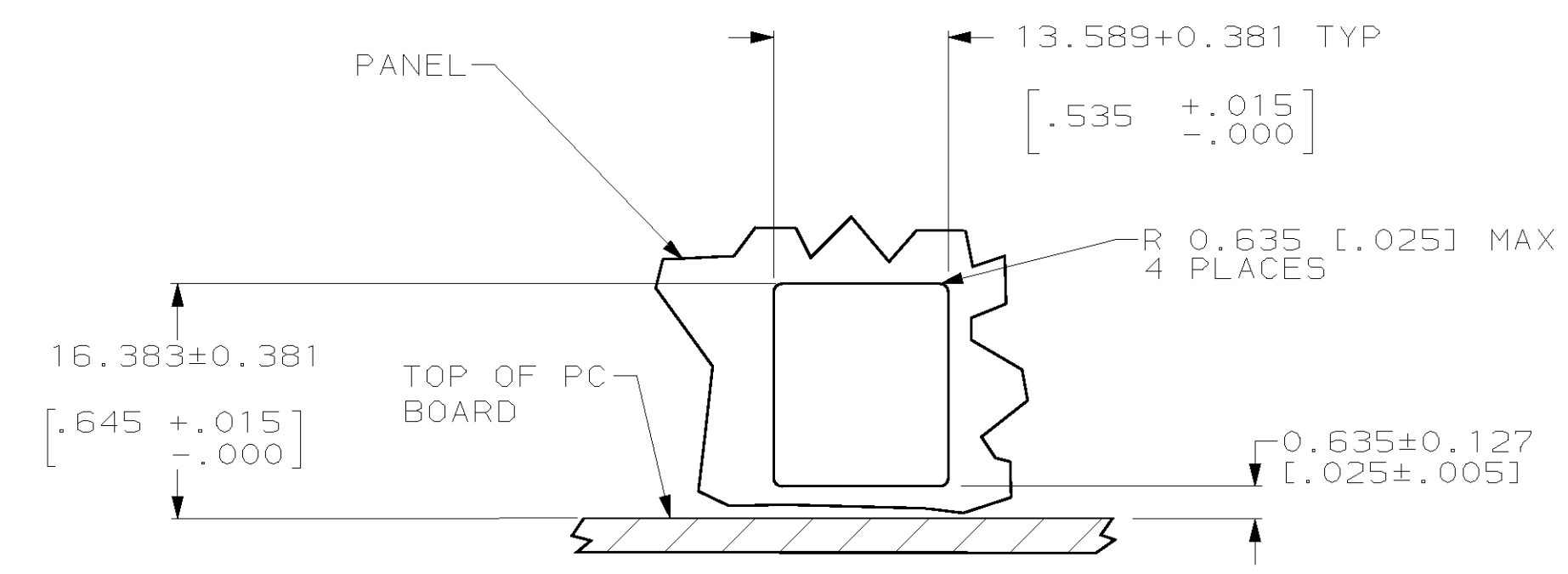
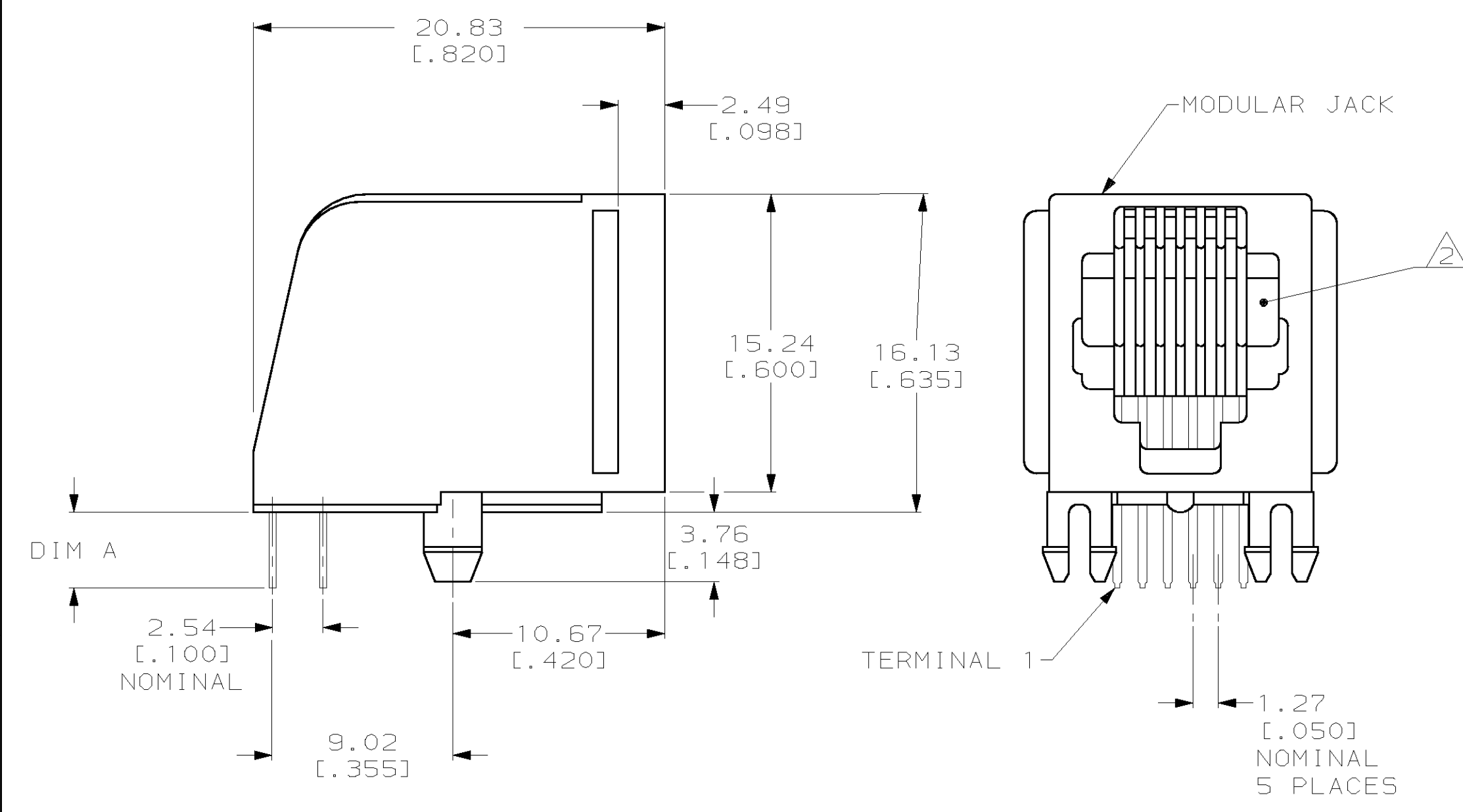
Contact us

Tel: +86-755-8981 8866 Fax: +86-755-8427 6832

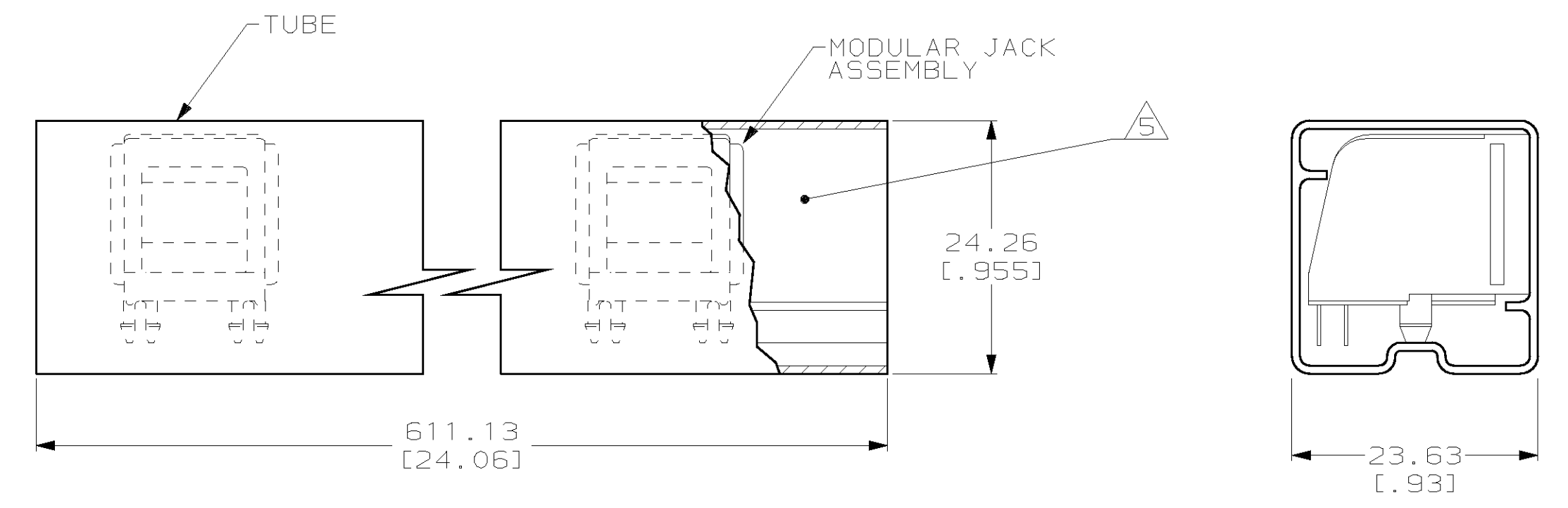
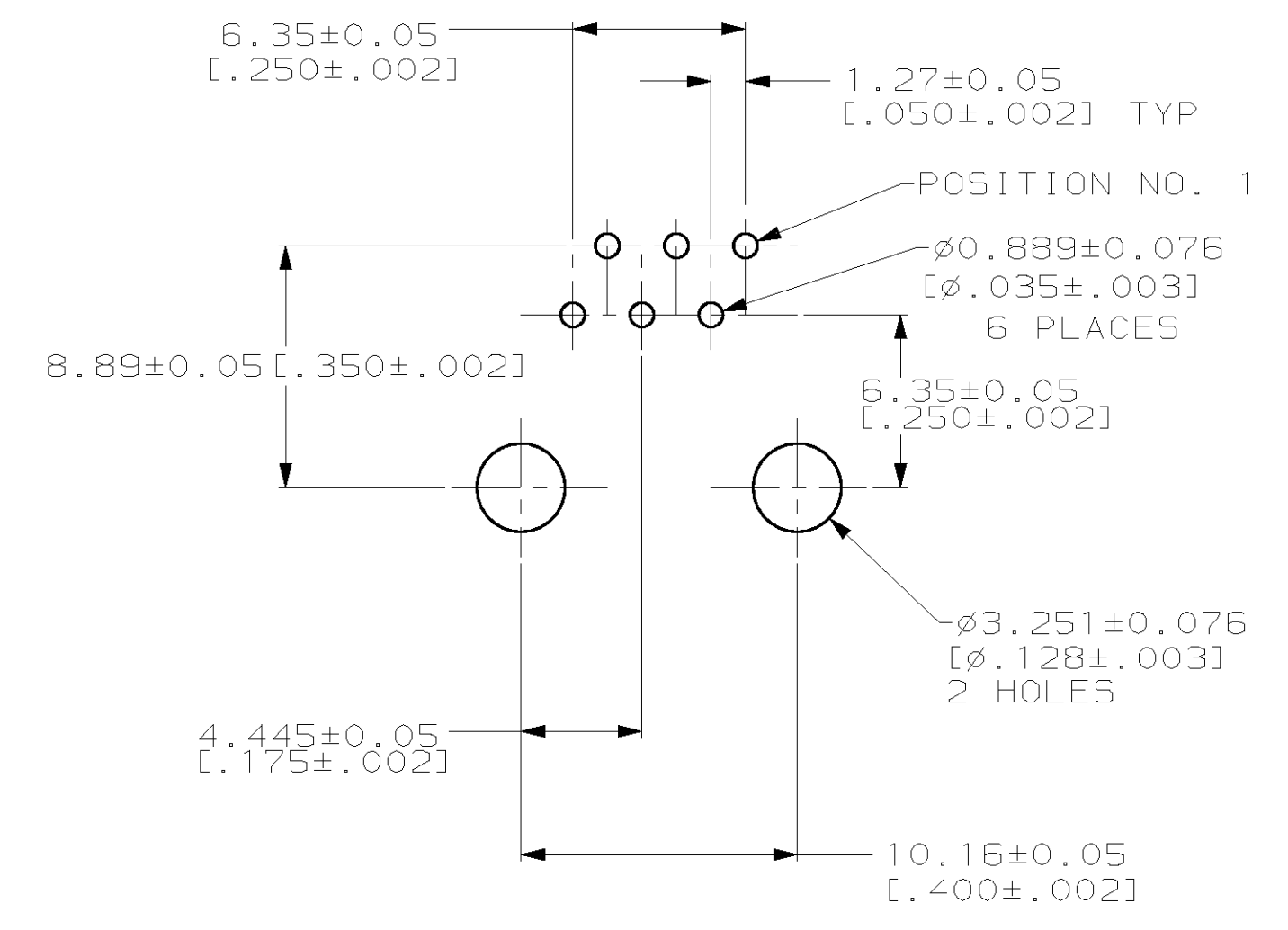
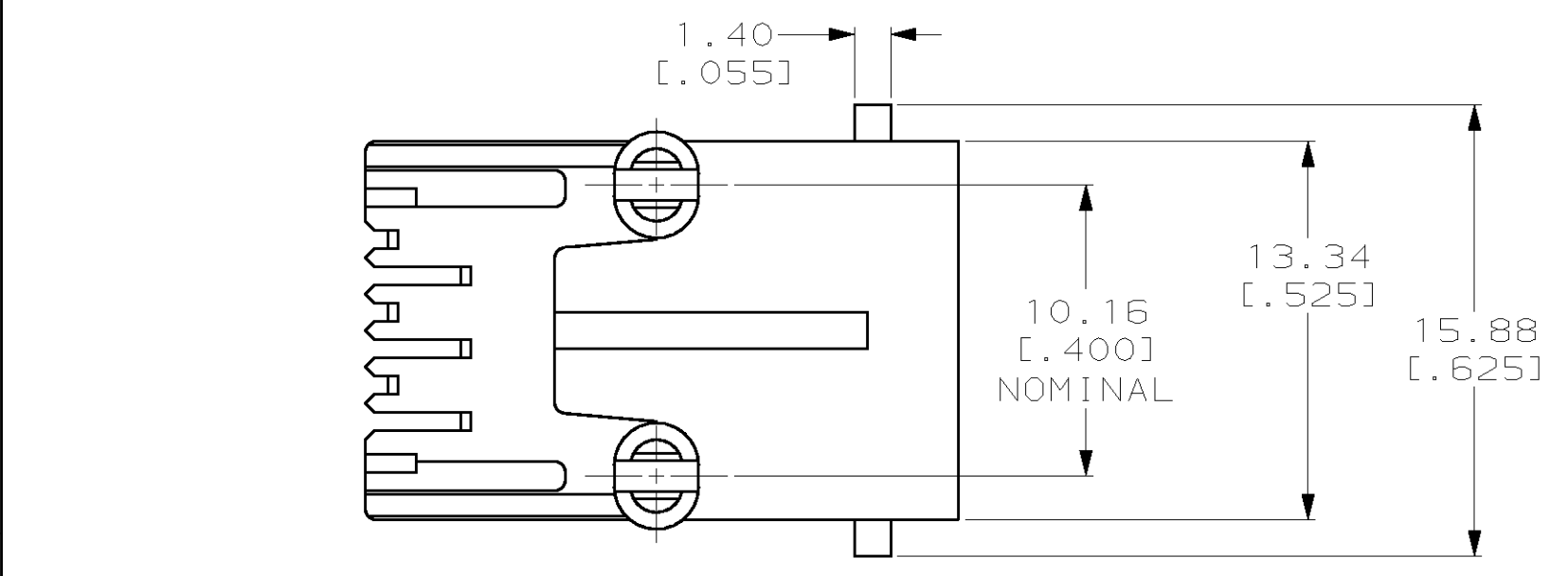
Email & Skype: info@chipsmall.com Web: www.chipsmall.com

Address: A1208, Overseas Decoration Building, #122 Zhenhua RD., Futian, Shenzhen, China





- 1 MATERIAL: HOUSING - PBT POLYESTER
 TERMINAL - 0.35 [.014] THICK PHOS-BRONZE PLATED WITH 1.27µm [.000050] THICK HARD GOLD IN LOCALIZED GOLD PLATE AREA AND 2.03µm [.000080] THICK TIN-LEAD IN SOLDER AREA OVER 1.27µm [.000050] THICK NICKEL UNDERPLATE.
- 2 CAVITY CONFORMS TO FCC RULES AND REGULATIONS PART 68 AND REA BULLETIN 345-81, PE-76 SPECIFICATION FOR MODULAR TELEPHONE HARDWARE.
- 3 DIMENSIONS ARE MAXIMUM UNLESS OTHERWISE SPECIFIED.
- 4 BULK PACKAGED IN A TRAY.
- 5 PACKAGED 36 ASSEMBLIES PER TUBE WITH BOTH ENDS CLOSED. SEE DETAIL B.
- 6 TERMINALS FOR 520250-1, -2, -4, -8, -9, AND -1/1 LOCATED IN CENTER POSITIONS.



SUPERSEDED BY 520250-9
 SUPERSEDED BY 520250-3
 SUPERSEDED BY 520250-2

2.16-2.67 [.085-.105]	▲	BLACK	4 ▲	1-520250-1
3.30-4.32 [.130-.170]	▲	BLACK	4 ▲	520250-9
		PEBBLE GRAY	4 ▲	520250-8
		BLACK	6 ▲	520250-7
		PEBBLE GRAY	4 ▲	520250-4
		BLACK	6 ▲	520250-3
		BLACK	2 ▲	520250-1
DIM A	PACKAGED	COLOR	TERMINALS REQUIRED	PART NUMBER

THIS DRAWING IS A CONTROLLED DOCUMENT.

DIMENSIONS: mm [INCHES]	TOLERANCES UNLESS OTHERWISE SPECIFIED:	DWN: T. WOOLLEN 05-APR-94	CHK: C. WHITT 06-APR-94	APVD: J. TONEY 13-APR-94
0 PLC ±.05	1 PLC ±.05	TYCO Electronics Harrisburg, PA 17105-3608		
2 PLC ±.05	3 PLC ±.05	NAME: MODULAR JACK ASSEMBLY, 6 POSITION, SIDE ENTRY, FLANGELESS, WITH PANEL STOPS		
4 PLC ±.05	ANGLES ±.05	SIZE: A1 00779 C=520250		
MATERIAL: ▲	FINISH: ▲	WEIGHT: -		
CUSTOMER DRAWING		SCALE: 4:1 SHEET 1 OF 1 REV Z		