



Chipsmall Limited consists of a professional team with an average of over 10 year of expertise in the distribution of electronic components. Based in Hongkong, we have already established firm and mutual-benefit business relationships with customers from,Europe,America and south Asia,supplying obsolete and hard-to-find components to meet their specific needs.

With the principle of “Quality Parts,Customers Priority,Honest Operation,and Considerate Service”,our business mainly focus on the distribution of electronic components. Line cards we deal with include Microchip,ALPS,ROHM,Xilinx,Pulse,ON,Everlight and Freescale. Main products comprise IC,Modules,Potentiometer,IC Socket,Relay,Connector.Our parts cover such applications as commercial,industrial, and automotives areas.

We are looking forward to setting up business relationship with you and hope to provide you with the best service and solution. Let us make a better world for our industry!



## Contact us

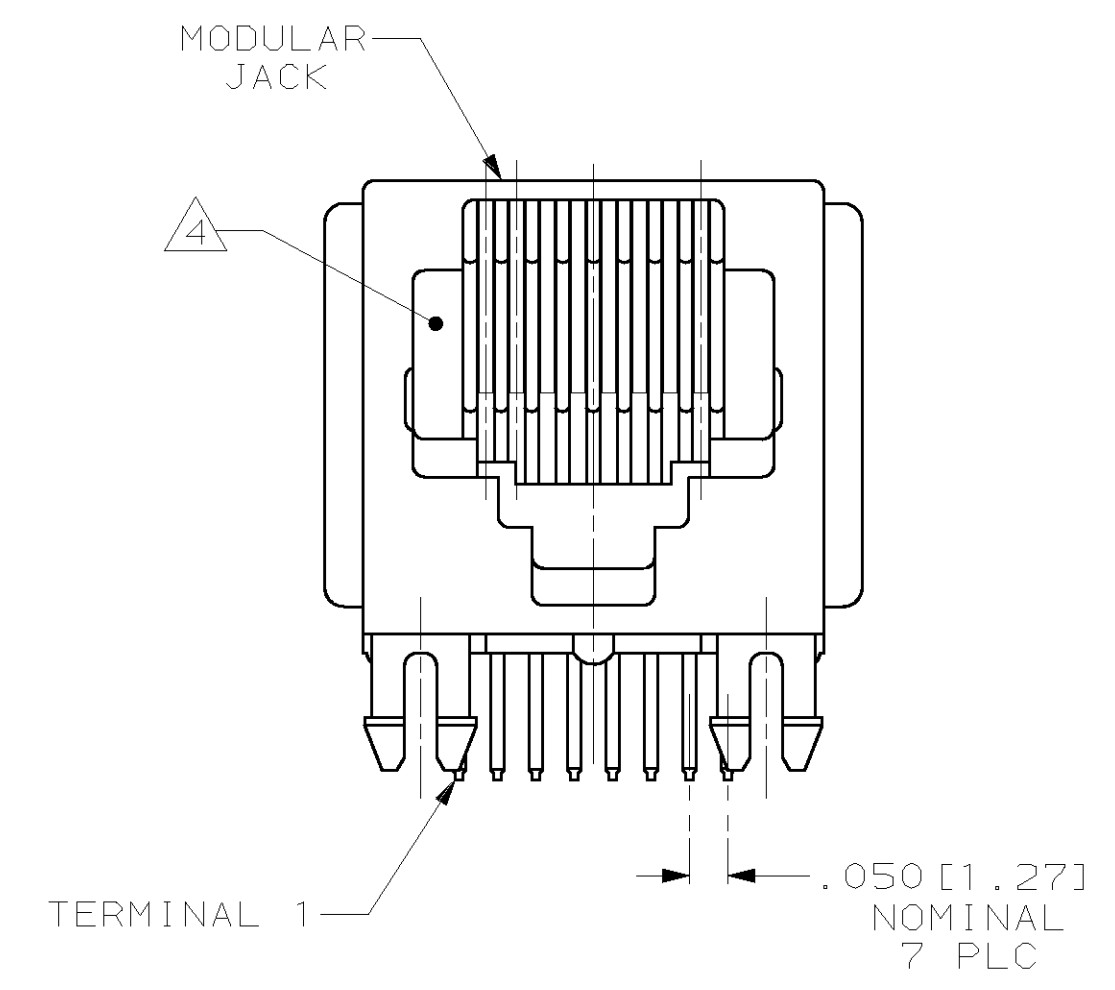
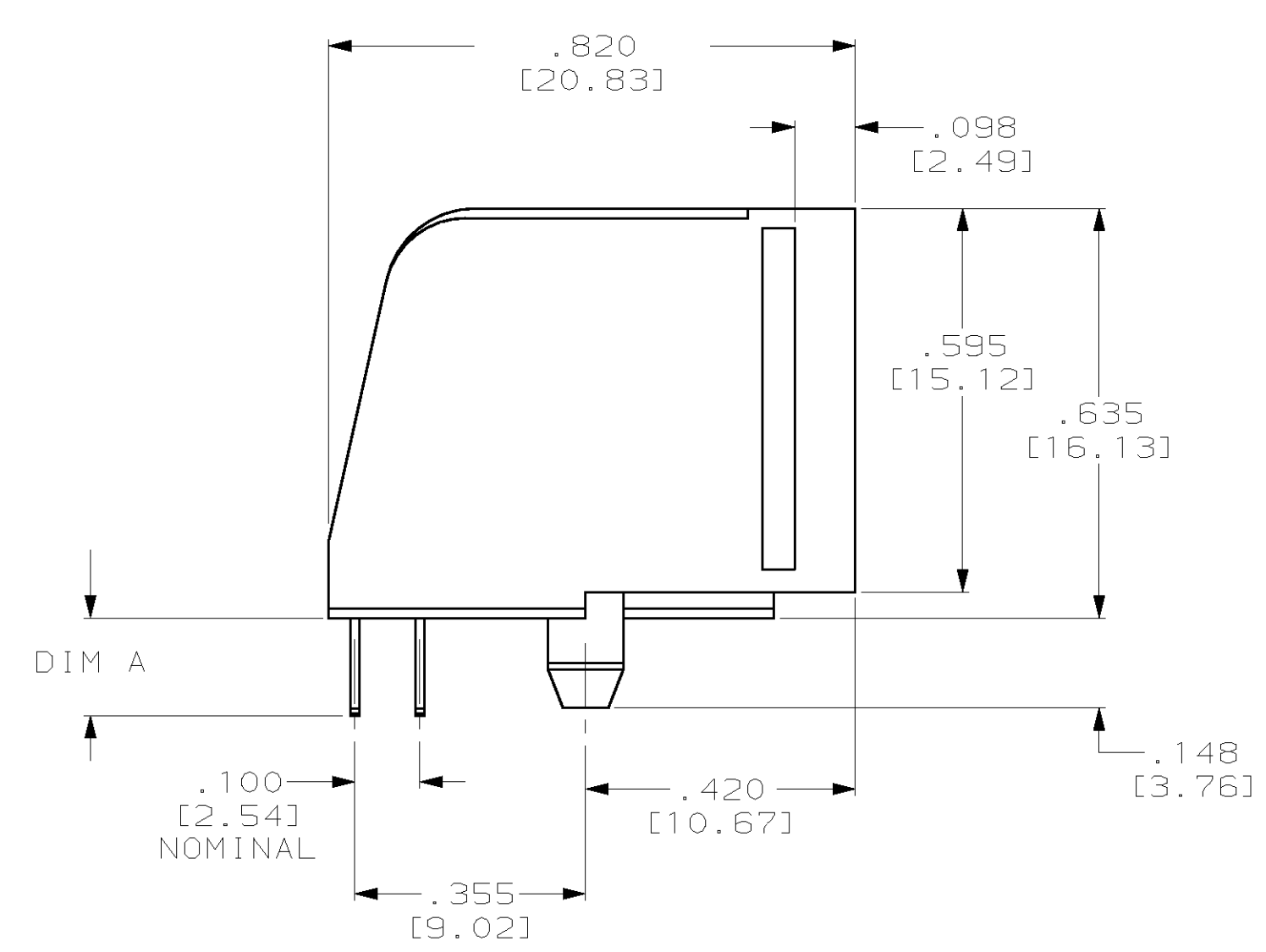
Tel: +86-755-8981 8866 Fax: +86-755-8427 6832

Email & Skype: info@chipsmall.com Web: www.chipsmall.com

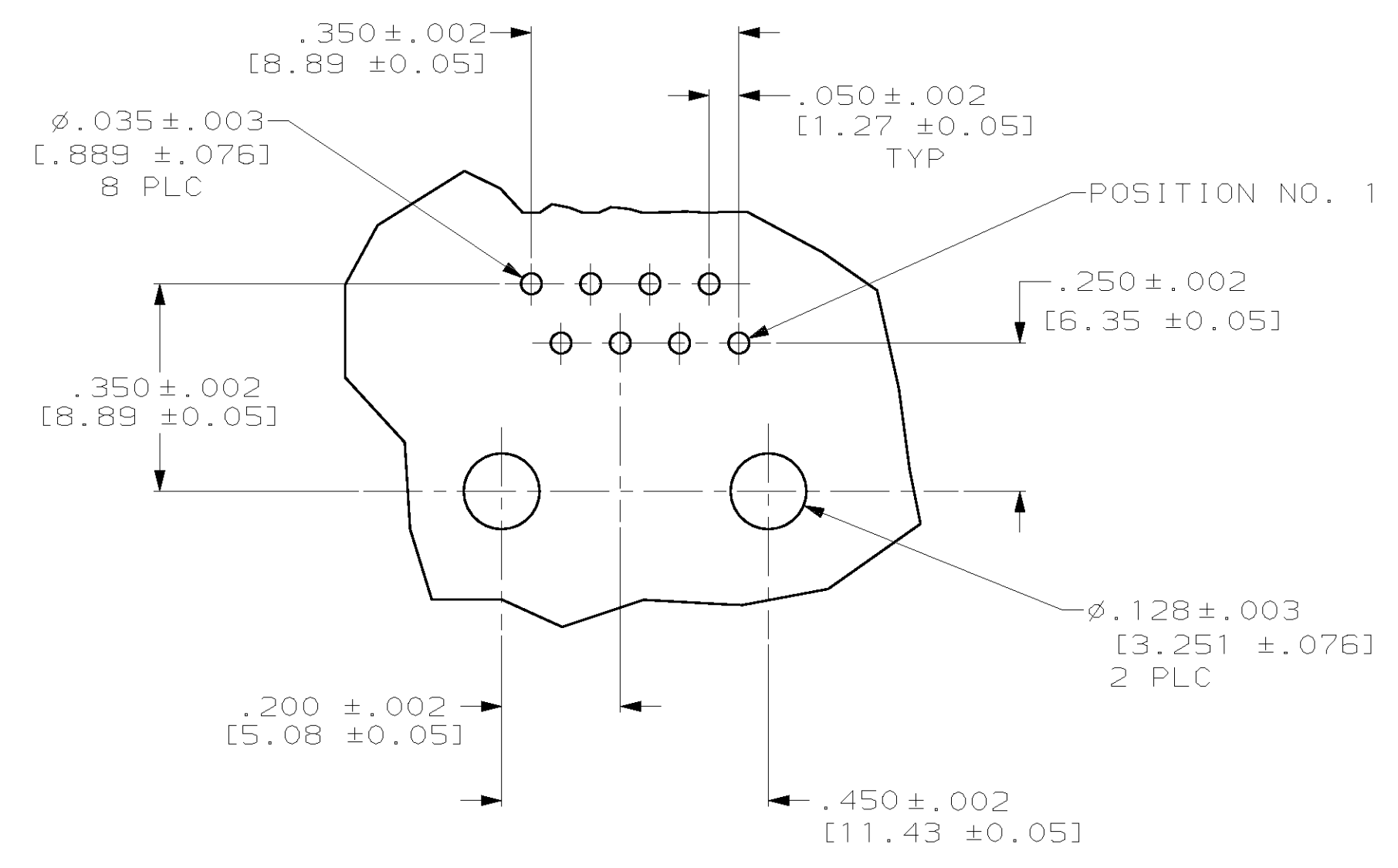
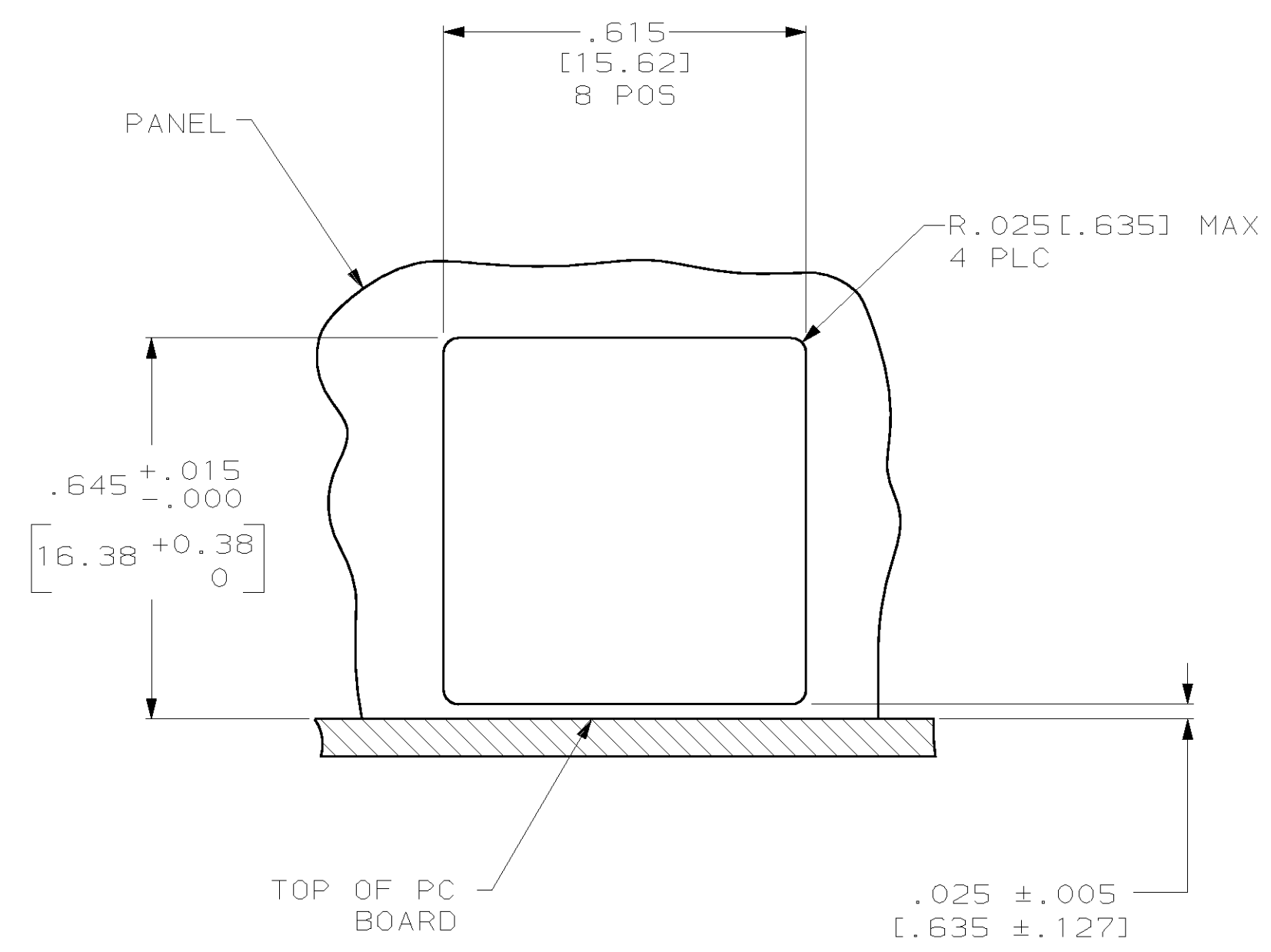
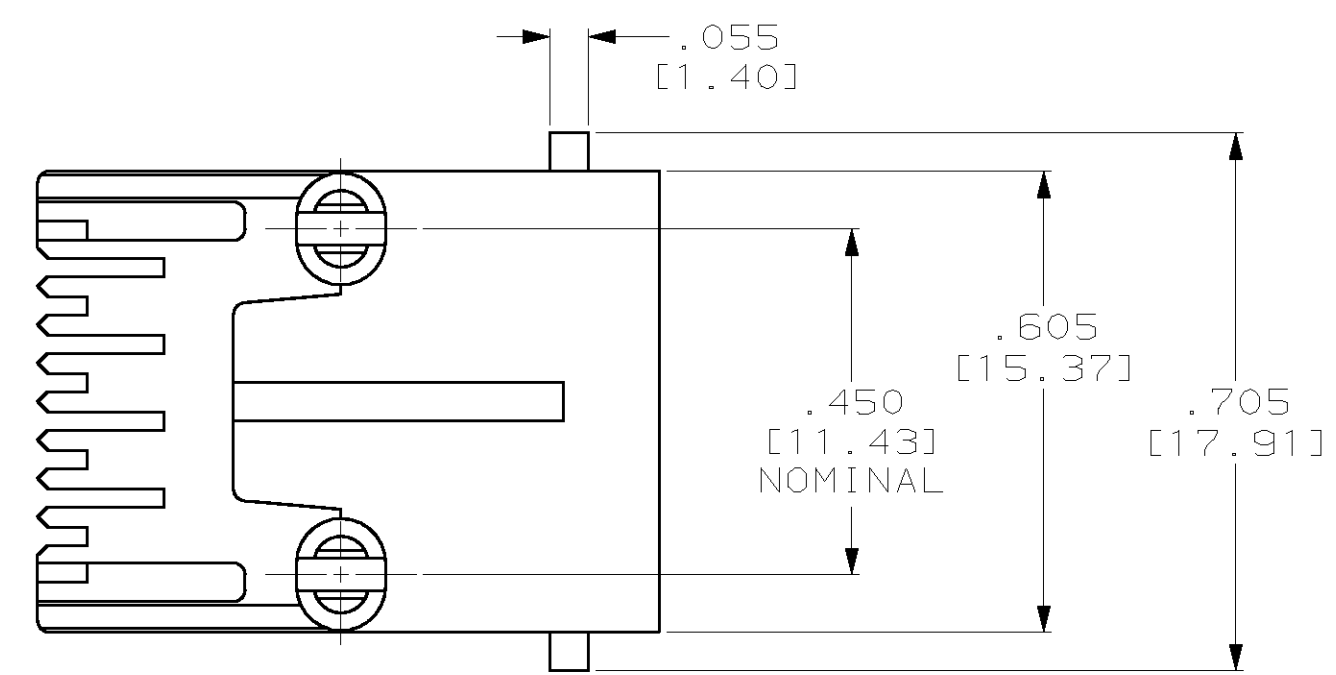
Address: A1208, Overseas Decoration Building, #122 Zhenhua RD., Futian, Shenzhen, China



LOC		DIST		REVISIONS				
TR	LYR	DATE	OWN	APVD	DESCRIPTION	DATE	OWN	APVD
Z		20MAY02	DLD	BOK	REACTIVATED: -9; EC 0511-0065-02			



- △ DIMENSIONS ARE MAXIMUM UNLESS OTHERWISE SPECIFIED.
- 2. DIMENSIONS IN BRACKETS [ ] ARE IN MILLIMETERS.
- △ MATERIAL: HOUSING - PBT POLYESTER, BLACK. TERMINAL - PHOS-BRONZE PLATED WITH .000050 [1.27μm] THICK HARD GOLD IN LOCALIZED GOLD PLATE AREA AND .000080 [2.03μm] THICK TIN-LEAD IN SOLDER AREA OVER .000050 [1.27μm] THICK NICKEL UNDERPLATE.
- △ CAVITY CONFORMS TO FCC RULES AND REGULATIONS PART 68 AND REA BULLETIN 345-81, PE-76 SPECIFICATION FOR MODULAR TELEPHONE HARDWARE.
- △ BULK PACKAGED IN A TRAY.



SUGGESTED PRINTED CIRCUIT BOARD LAYOUT  
NONCOMPONENT SIDE SHOWN

.10-.12 [2.54-3.05]	△	8	520251-9
.13-.17 [3.30-4.32]	△	8	520251-4
DIM A	PACKAGED	TERMINALS	PART NUMBER

DIMENSIONS		TOLERANCES UNLESS OTHERWISE SPECIFIED		DWN		CHK		APVD		NAME	
INCHES [mm]											
0 PLC	±	△		S. GARRETT	05-10-95					AMP Incorporated	
1 PLC	±	△		N. JONES	5-23-95					Harrisburg, PA 17105-3608	
2 PLC	±	△		F. LAURER	5-30-95					MODULAR JACK ASSEMBLY, SIDE ENTRY, 8 POSITION, FLANGELESS, WITH PANEL STOPS	
3 PLC	±	△								PRODUCT SPEC	108-1163
4 PLC	±	△								APPLICATION SPEC	114-2048
ANGLES	±	△								SIZE	A1
FINISH	±	△								WEIGHT	00779
										CUSTOMER DRAWING	520251
										SCALE	4:1
										SHEET	1 of 1
										REV	Z