



Chipsmall Limited consists of a professional team with an average of over 10 year of expertise in the distribution of electronic components. Based in Hongkong, we have already established firm and mutual-benefit business relationships with customers from,Europe,America and south Asia,supplying obsolete and hard-to-find components to meet their specific needs.

With the principle of “Quality Parts,Customers Priority,Honest Operation,and Considerate Service”,our business mainly focus on the distribution of electronic components. Line cards we deal with include Microchip,ALPS,ROHM,Xilinx,Pulse,ON,Everlight and Freescale. Main products comprise IC,Modules,Potentiometer,IC Socket,Relay,Connector.Our parts cover such applications as commercial,industrial, and automotives areas.

We are looking forward to setting up business relationship with you and hope to provide you with the best service and solution. Let us make a better world for our industry!



Contact us

Tel: +86-755-8981 8866 Fax: +86-755-8427 6832

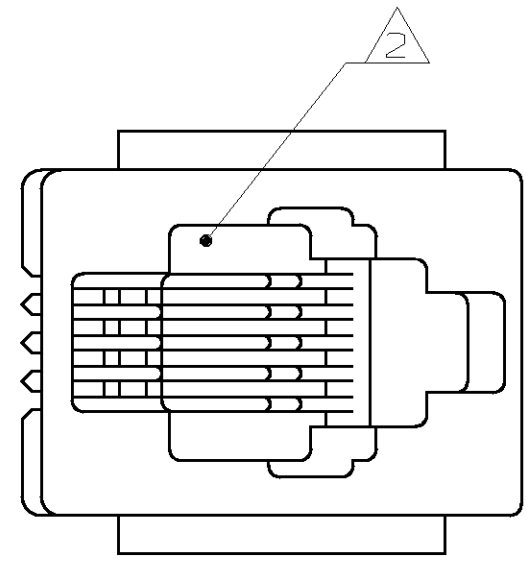
Email & Skype: info@chipsmall.com Web: www.chipsmall.com

Address: A1208, Overseas Decoration Building, #122 Zhenhua RD., Futian, Shenzhen, China

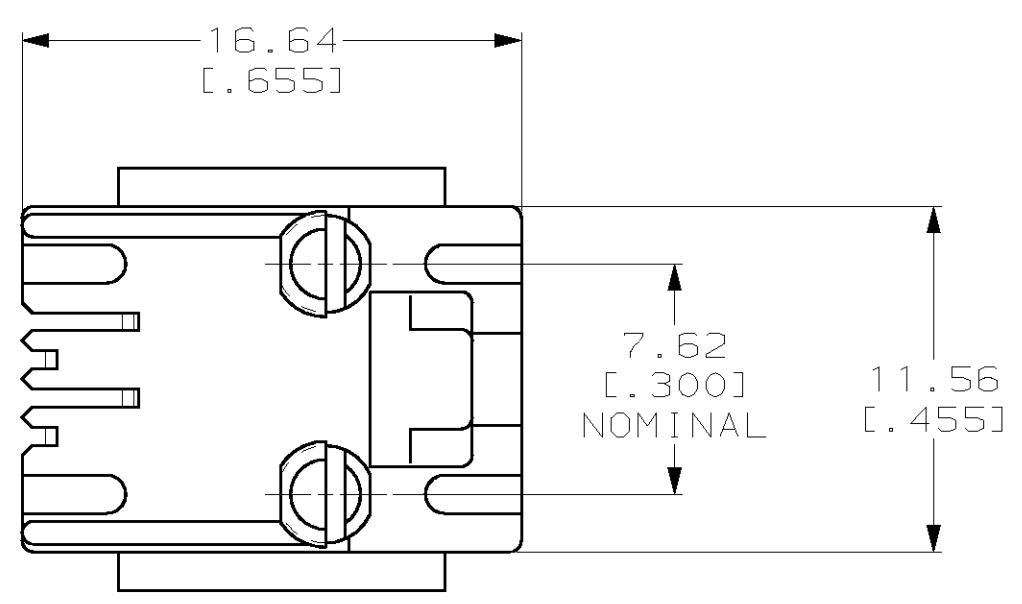
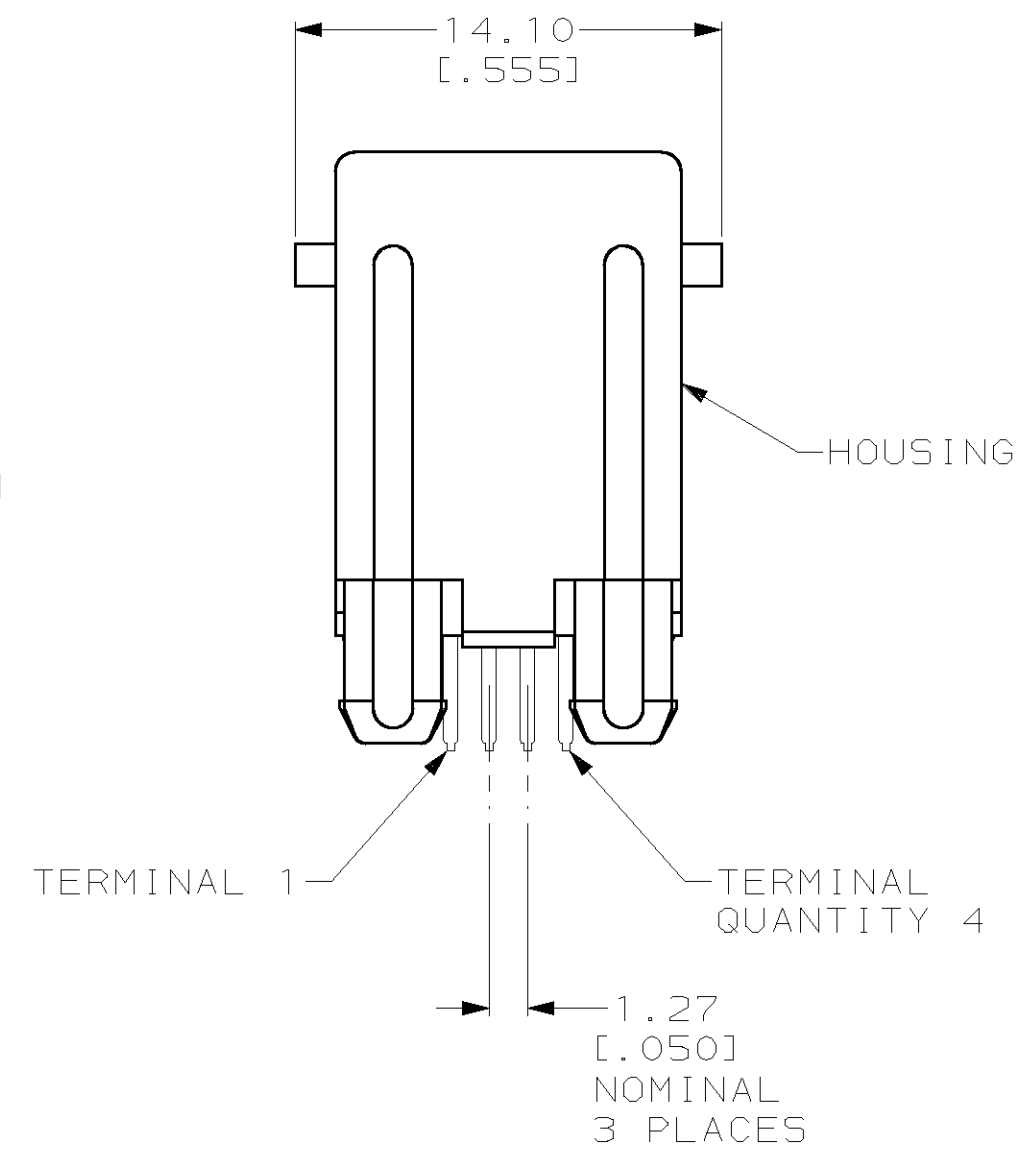
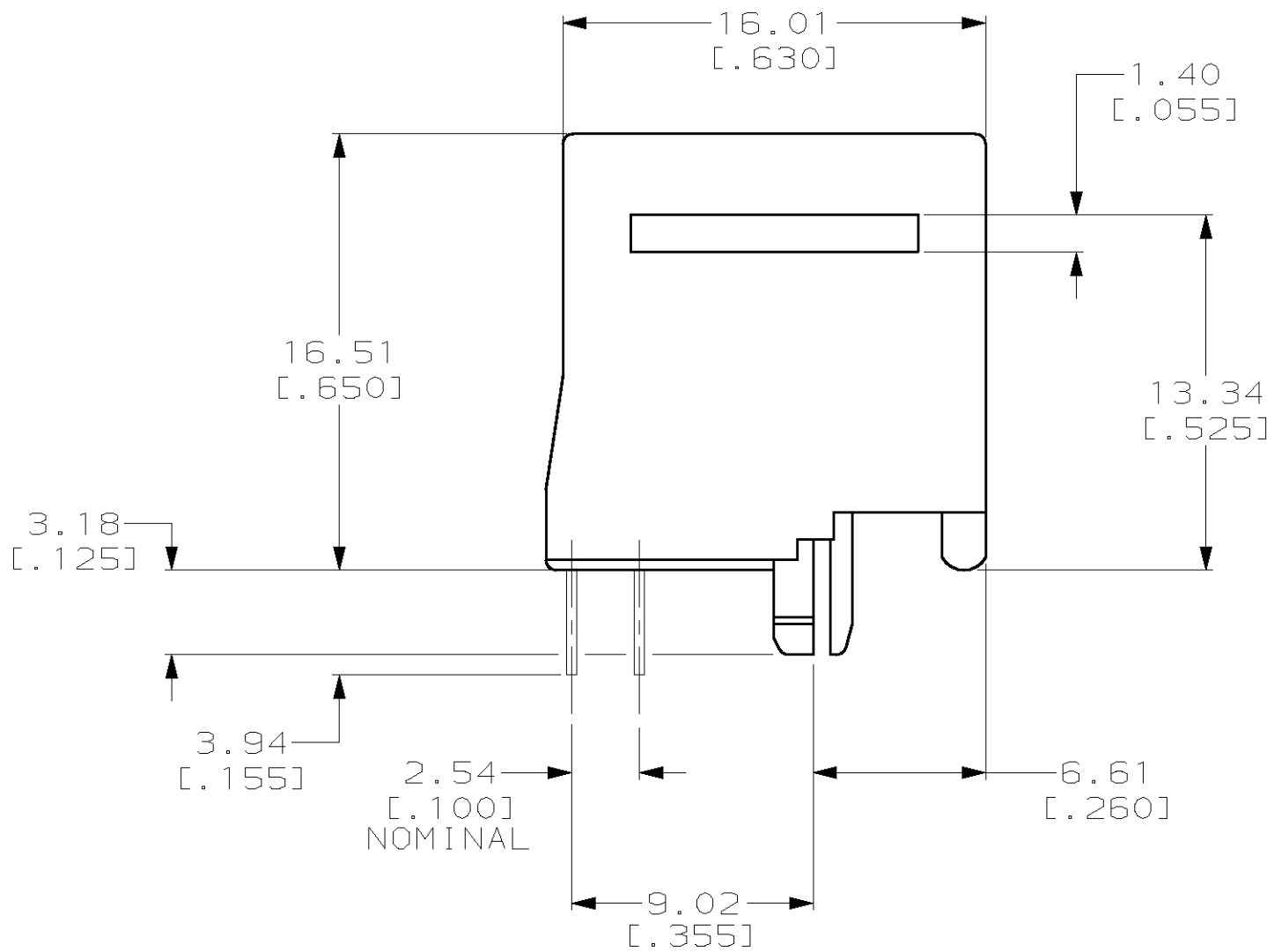


THIS DRAWING IS UNPUBLISHED. RELEASED FOR PUBLICATION
 BY AMP INCORPORATED. ALL RIGHTS RESERVED.

LOC	DIST	REVISIONS			
P	LTR	DESCRIPTION	DATE	DWN	APVD
AA	22	M	SUPERSEDED: -3; EC OUF0-0006-01	20SEP01	DLD/LLV



- ① MATERIAL: HOUSING - PBT POLYESTER, BLACK. TERMINAL - 0.35[.0138] THICK PHOS-BRONZ PLATED WITH 1.27μm[.000050] THICK HARD GOLD IN LOCALIZED GOLD PLATE AREA AND 2.03μm[.000080] THICK TIN-LEAD IN SOLDER AREA OVER 1.27μm[.000050] THICK NICKEL UNDERPLATE.
- ② CAVITY CONFORMS TO FCC RULES AND REGULATIONS PART 68 AND REA BULLETIN 345-.81 PE-76 SPECIFICATION FOR MODULAR TELEPHONE HARDWARE.
- ③ DIMENSIONS ARE MAXIMUM UNLESS OTHERWISE SPECIFIED.
- ④ BULK PACKAGED IN A TRAY.
- ⑤ PACKAGED 32 ASSEMBLIES PER TUBE.



SUPERSEDED BY 520257-2	⑤	520257-3
	④	520257-2
	PACKAGED	PART NUMBER

THIS DRAWING IS A CONTROLLED DOCUMENT FOR AMP INCORPORATED. IT IS SUBJECT TO CHANGE AND THE CONTROLLING ENGINEERING ORGANIZATION SHOULD BE CONTACTED FOR THE LATEST REVISION.		DWN DL DRUMMOND 4-06-95	AMP Incorporated Harrisburg, PA 17105-3608	
DIMENSIONS: mm [INCHES]		CHK C. WHITT 4-11-95	NAME J. TONEY 4-18-95	
TOLERANCES UNLESS OTHERWISE SPECIFIED:		APVD J. TONEY 4-18-95	PRODUCT SPEC 108-1163	
0 PLC ±	③	APPLICATION SPEC 114-2048	SIZE A2	CAGE CODE 00779
1 PLC ±		WEIGHT -	DRAWING NO. C-520257	
2 PLC ±		CUSTOMER DRAWING	SCALE 4:1	SHEET 1 OF 1
3 PLC ±			REV M	
4 PLC ±				
ANGLES ±				
MATERIAL ①	FINISH ①			

520257