



Chipsmall Limited consists of a professional team with an average of over 10 year of expertise in the distribution of electronic components. Based in Hongkong, we have already established firm and mutual-benefit business relationships with customers from,Europe,America and south Asia,supplying obsolete and hard-to-find components to meet their specific needs.

With the principle of "Quality Parts,Customers Priority,Honest Operation,and Considerate Service",our business mainly focus on the distribution of electronic components. Line cards we deal with include Microchip,ALPS,ROHM,Xilinx,Pulse,ON,Everlight and Freescale. Main products comprise IC,Modules,Potentiometer,IC Socket,Relay,Connector.Our parts cover such applications as commercial,industrial, and automotives areas.

We are looking forward to setting up business relationship with you and hope to provide you with the best service and solution. Let us make a better world for our industry!



## Contact us

Tel: +86-755-8981 8866 Fax: +86-755-8427 6832

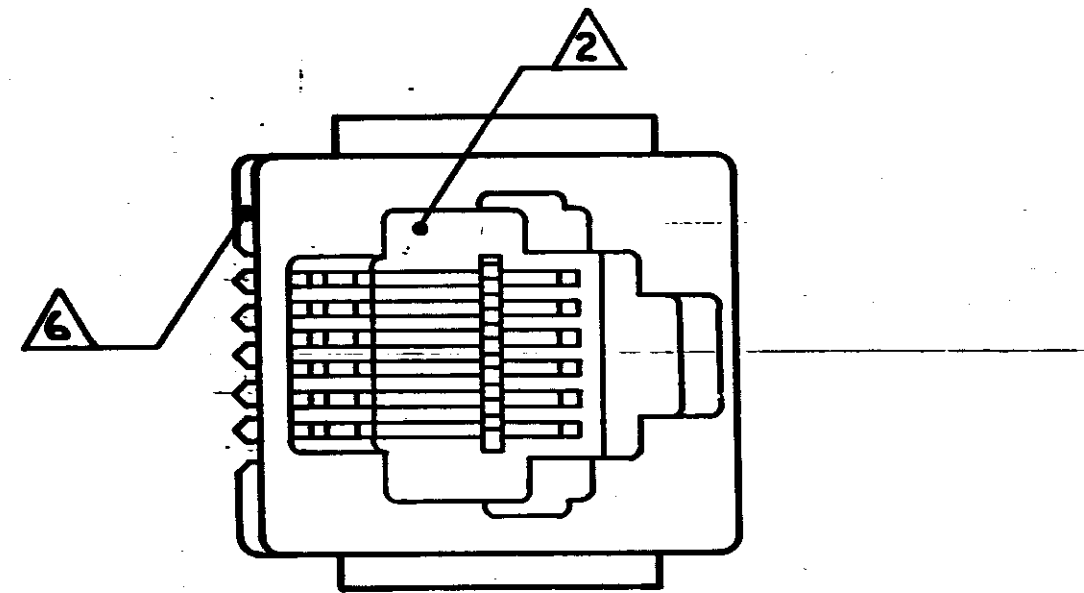
Email & Skype: info@chipsmall.com Web: www.chipsmall.com

Address: A1208, Overseas Decoration Building, #122 Zhenhua RD., Futian, Shenzhen, China

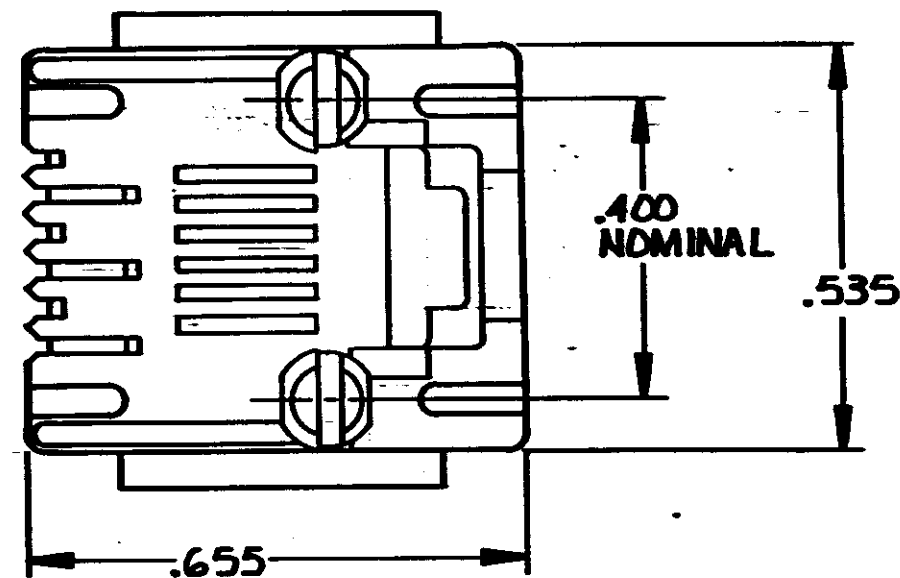
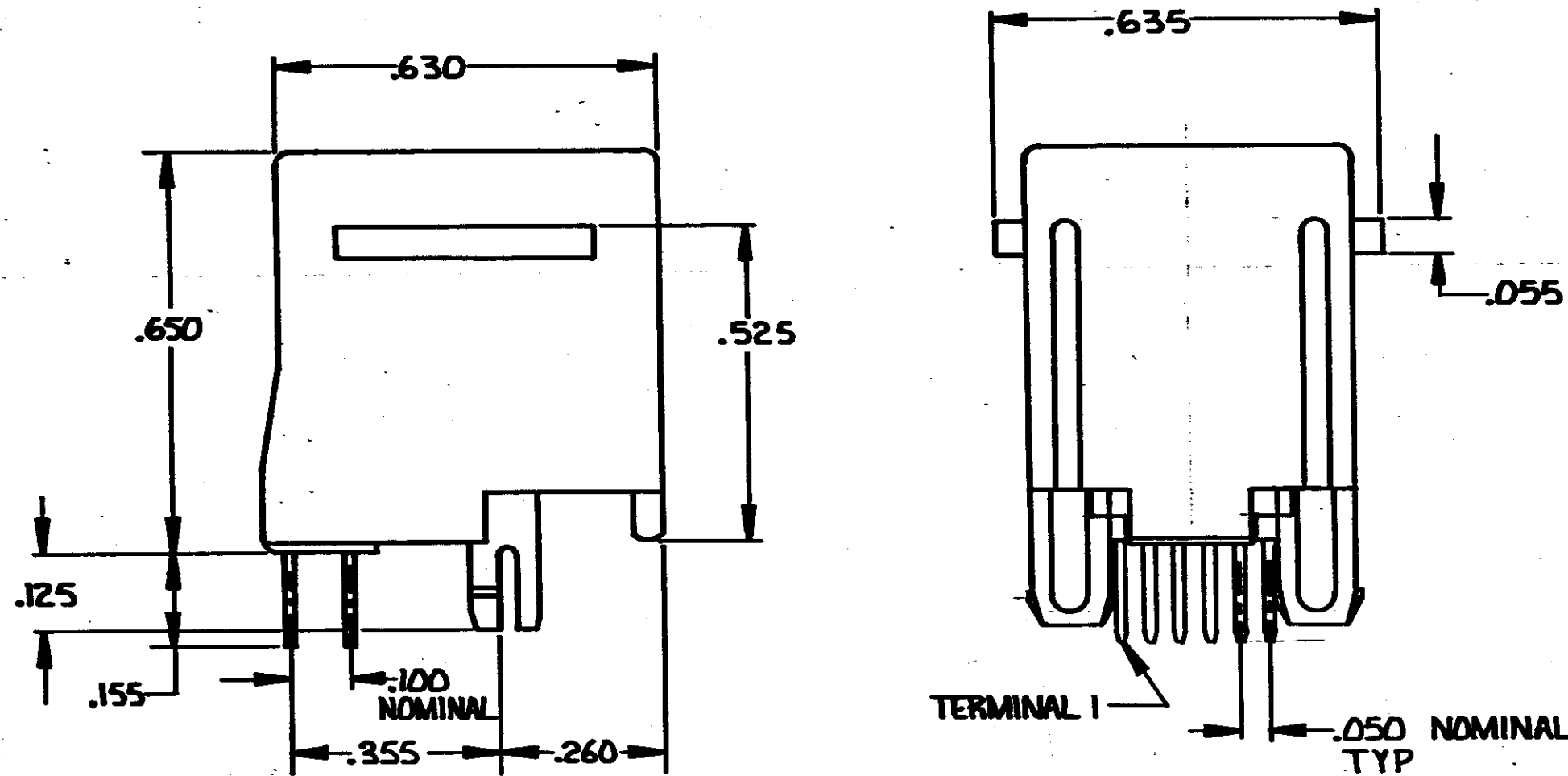


THIS DRAWING IS UNPUBLISHED. RELEASED FOR PUBLICATION .19  
 © COPYRIGHT 19 BY AMP INCORPORATED, HARRISBURG, PA. ALL INTERNATIONAL RIGHTS RESERVED. AMP PRODUCTS MAY BE COVERED BY U.S. AND FOREIGN PATENTS AND/OR PATENTS PENDING.

REVISIONS				DATE	APPROVED
P	F	ZONE	LTR	DESCRIPTION	
L			L	REVISED; ECN AA-6527	11-90 LHS NJ



- 1 MATERIAL: HOUSING - PBT POLYESTER, BLACK, TERMINAL - .0138 THICK PHOS-BRONZE PLATED WITH .00005 THICK HARD GOLD IN LOCALIZED GOLD PLATE AREA AND .00008 THICK TIN-LEAD IN SOLDER AREA OVER .00005 THICK NICKEL UNDERPLATE.
- 2 CAVITY CONFORMS TO FCC RULES AND REGULATIONS PART 68 AND REA BULLETIN 345-81, PE-76 SPECIFICATION FOR MODULAR TELEPHONE HARDWARE.
- 3. FOR APPLICATION INFORMATION SEE AMP SPECIFICATION 114-2048.
- 4. FOR PERFORMANCE REQUIREMENTS SEE AMP SPECIFICATION 108-1163.
- 5. ALL DIMENSIONS SHOWN ARE MAXIMUM UNLESS OTHERWISE SPECIFIED.
- 6 VENDOR DESIGNATION SHALL BE THE LETTER 'A' ON THIS SURFACE.
- 7 BULK PACKAGED IN A TRAY.
- 8 PACKAGED 28 PER TUBE.



8	6	-4
7	6	-3
	4	520258 - 2
PACKAGED	CONTACTS	PART NO

UNLESS OTHERWISE SPECIFIED DIMENSIONS ARE IN INCHES. TOLERANCES ON: DECIMALS ± ANGLES ±	CONTRACT NO	AMP   AMP INCORPORATED Harrisburg, Pa. 17105	
	DR <i>STWARTEN 12/2/87</i>	NAME PRINTED CIRCUIT BOARD MODULAR JACK ASSEMBLY, TOP ENTRY, 6 POSITION, FLANGELESS WITH PANEL STOPS	
MATERIAL	CHK <i>A.C. Clark 12-4-87</i>	SIZE <b>C</b>	FSCM NO <b>00779</b>
FINISH	APPD <i>[Signature]</i>	DRAWING NO <b>520258</b>	
	APPD <i>[Signature]</i>	SCALE <b>4:1</b>	SHEET <b>1 of 1</b>
	DSGN APPD		
	OTHER APPD		

520258