



Chipsmall Limited consists of a professional team with an average of over 10 year of expertise in the distribution of electronic components. Based in Hongkong, we have already established firm and mutual-benefit business relationships with customers from,Europe,America and south Asia,supplying obsolete and hard-to-find components to meet their specific needs.

With the principle of “Quality Parts,Customers Priority,Honest Operation,and Considerate Service”,our business mainly focus on the distribution of electronic components. Line cards we deal with include Microchip,ALPS,ROHM,Xilinx,Pulse,ON,Everlight and Freescale. Main products comprise IC,Modules,Potentiometer,IC Socket,Relay,Connector.Our parts cover such applications as commercial,industrial, and automotives areas.

We are looking forward to setting up business relationship with you and hope to provide you with the best service and solution. Let us make a better world for our industry!



Contact us

Tel: +86-755-8981 8866 Fax: +86-755-8427 6832

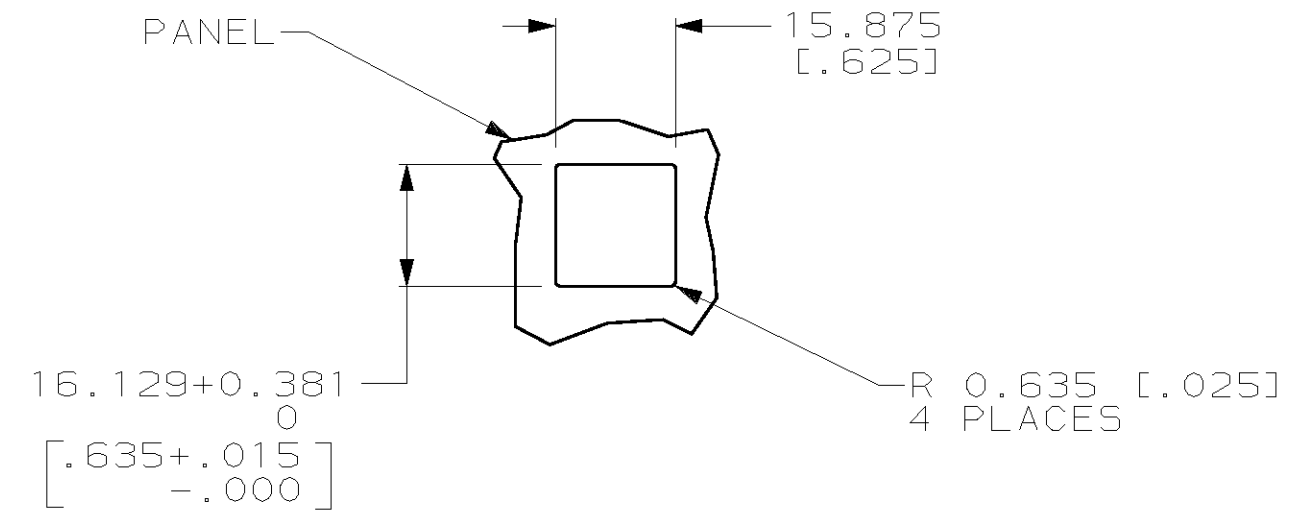
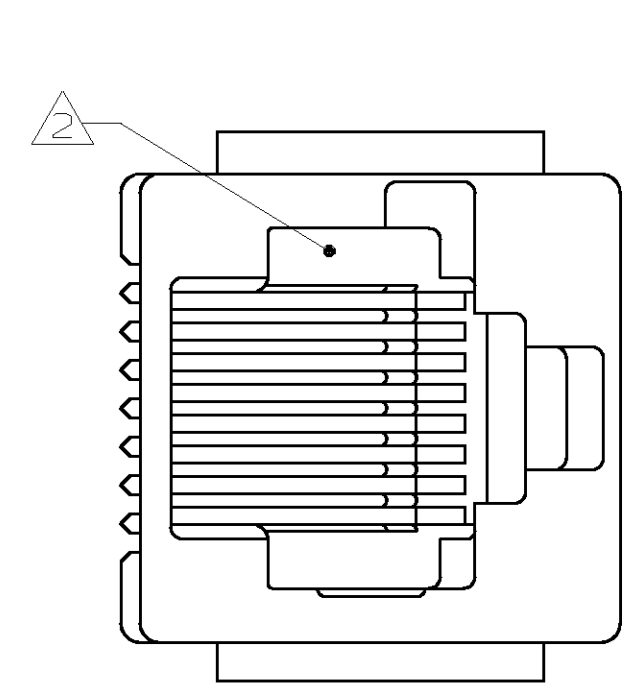
Email & Skype: info@chipsmall.com Web: www.chipsmall.com

Address: A1208, Overseas Decoration Building, #122 Zhenhua RD., Futian, Shenzhen, China



THIS DRAWING IS UNPUBLISHED. RELEASED FOR PUBLICATION
 (C) COPYRIGHT 19 BY AMP INCORPORATED. ALL RIGHTS RESERVED.

LOC	DIST	REVISIONS			
P	LTR	DESCRIPTION	DATE	DWN	APVD
AA	22	REVISED; EC 0UFO-0129-01	24SEP01	DLD	LLV

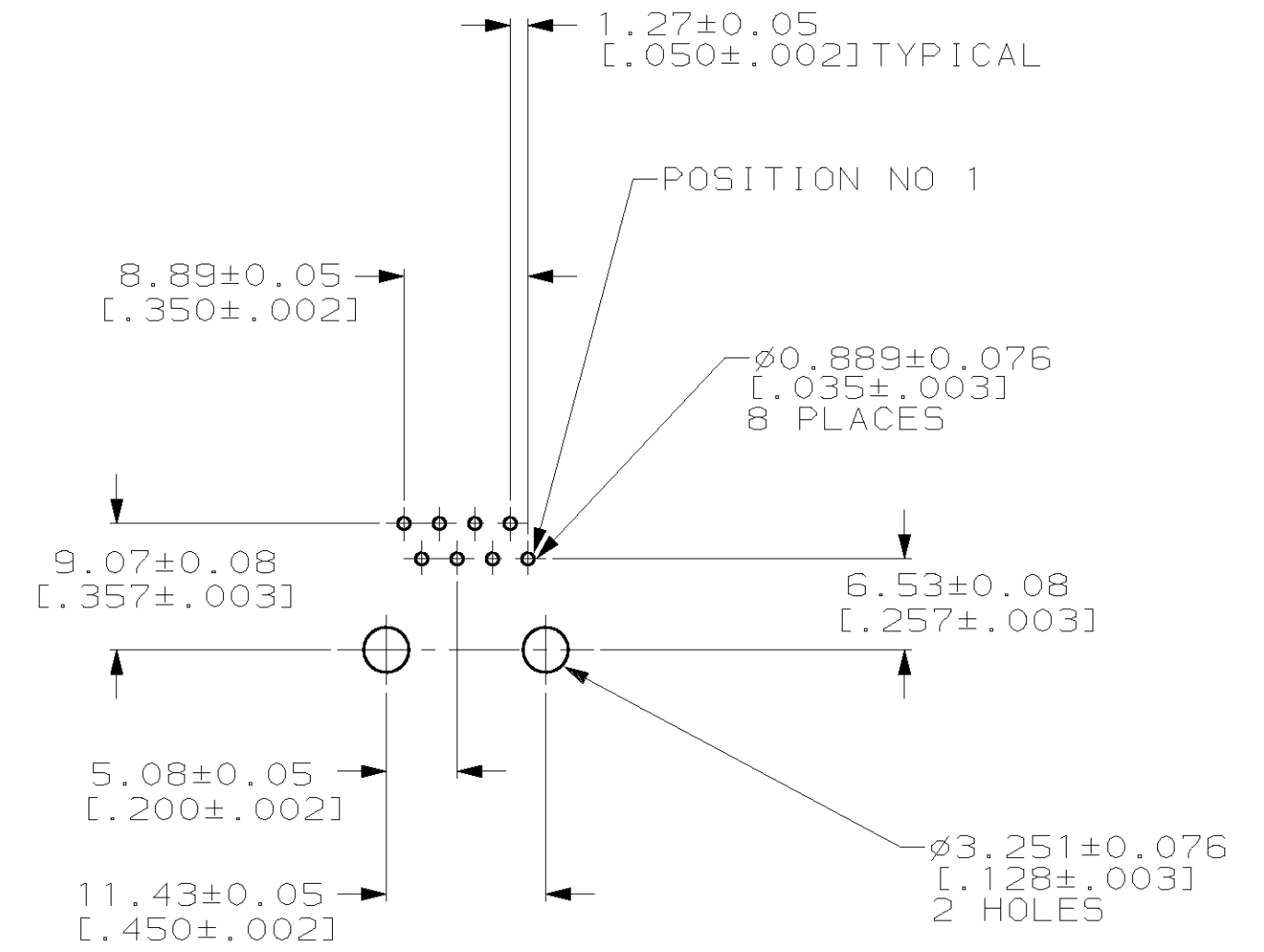
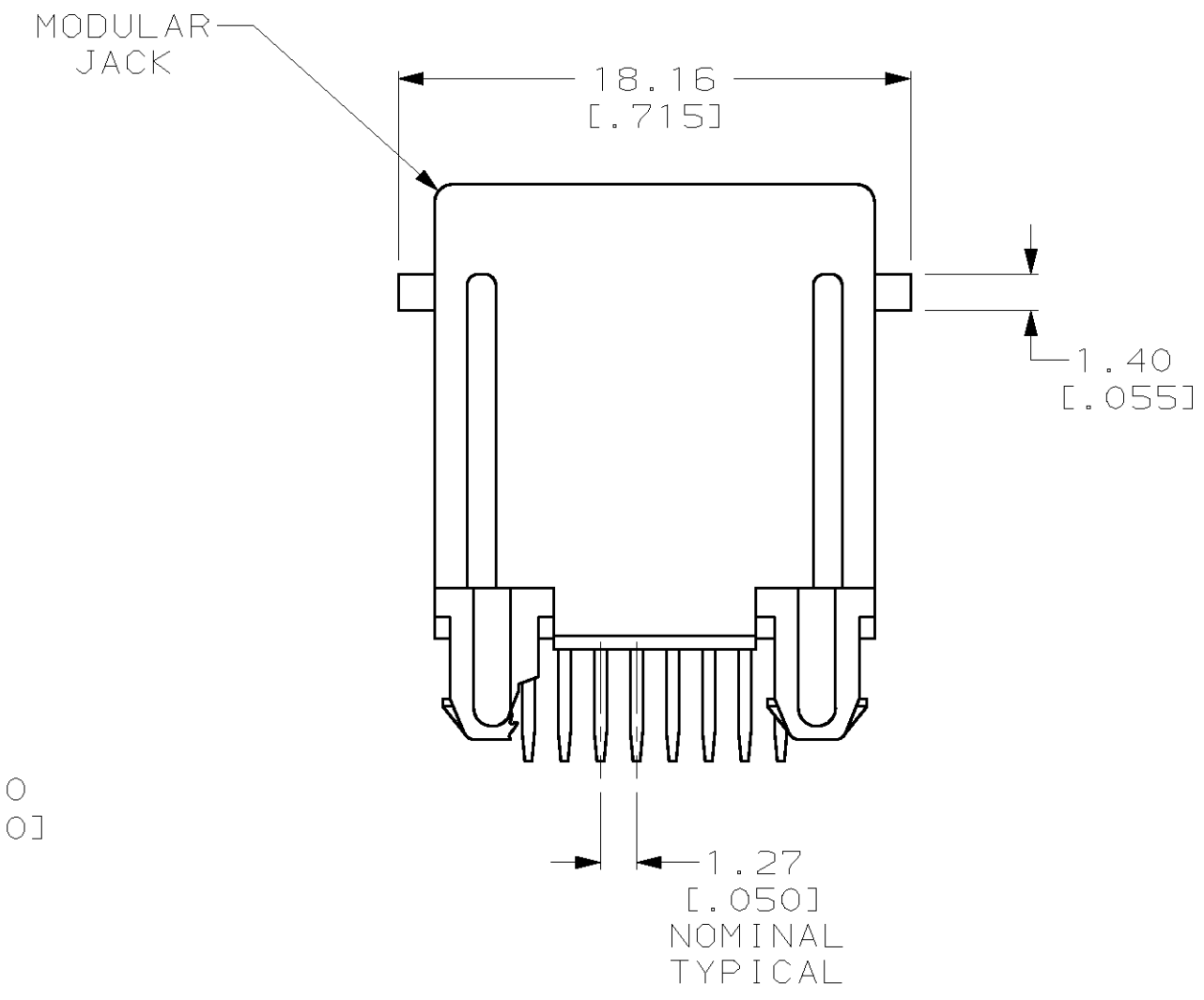
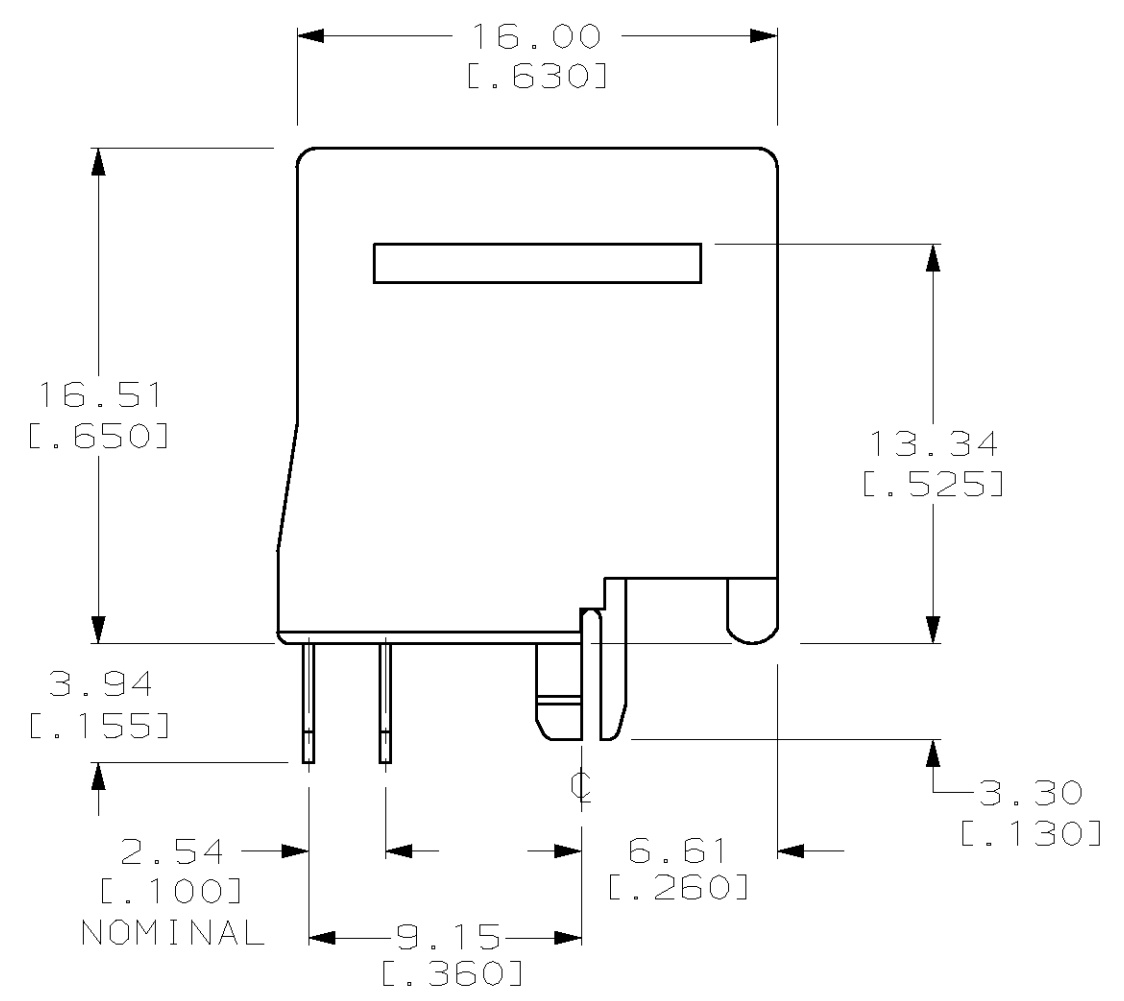


PANEL CUTOUT
SCALE 1:1

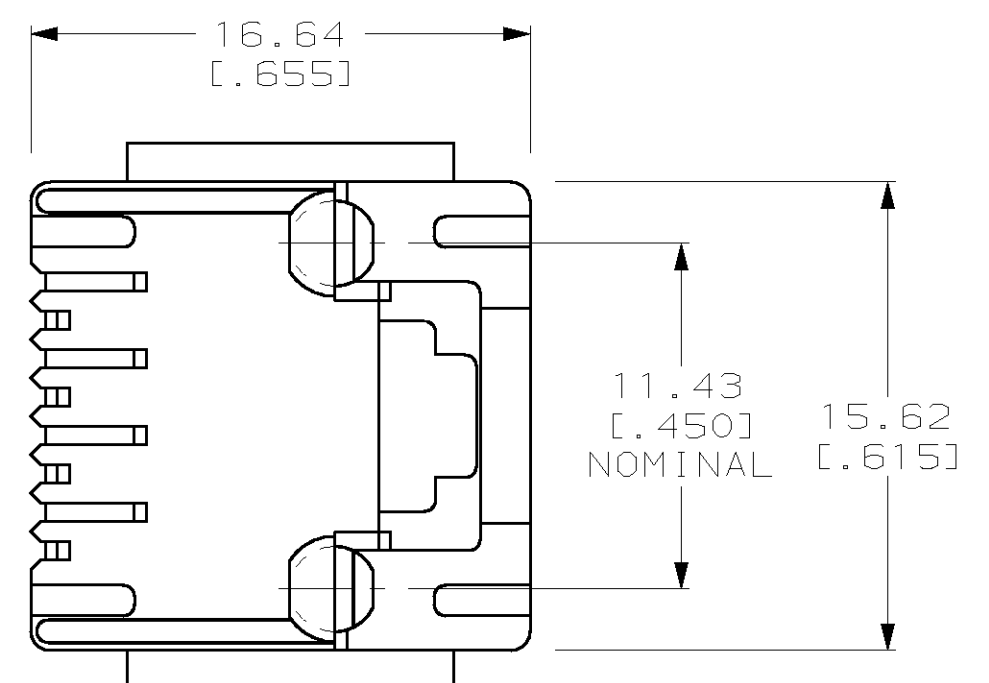
1 MATERIAL: HOUSING - PBT POLYESTER, BLACK. TERMINAL - 0.35 [.0138] THICK PHOS BRONZE PLATED WITH 1.27µm [.000050] THICK HARD GOLD IN LOCALIZED GOLD PLATE AREA AND 2.03µm [.000080] THICK TIN-LEAD IN SOLDER AREA OVER 1.27µm [.000050] THICK NICKEL UNDERPLATE.

2 CAVITY CONFORMS TO FCC RULES AND REGULATIONS PART 68 AND REA BULLETIN 345-81, PE-76 SPECIFICATION FOR MODULAR TELEPHONE HARDWARE.

3. ALL DIMENSIONS SHOWN ARE MAXIMUM UNLESS OTHERWISE SPECIFIED.



PRINTED CIRCUIT BOARD LAYOUT
NON-COMPONENT SIDE SHOWN
SCALE 2:1



THIS DRAWING IS A CONTROLLED DOCUMENT.		DWN	L. MUSTAR/UTA	12JUN95
DIMENSIONS: mm [INCHES]		CHK	N. JONES	15JUN95
TOLERANCES UNLESS OTHERWISE SPECIFIED:		APVD	E. LAURER	22JUN95
0 PLC	±	NAME		
1 PLC	±	L. MUSTAR/UTA		
2 PLC	±	PRODUCT SPEC		
3 PLC	±	108-1163		
4 PLC	±	APPLICATION SPEC		
ANGLES	±	114-2048		
MATERIAL	FINISH	WEIGHT	-	
CUSTOMER DRAWING		SCALE	4:1	SHEET 1 OF 1

8 CONTACTS	520260-4 PART NUMBER		
AMP Incorporated Harrisburg, PA 17105-3608			
PRINTED CIRCUIT BOARD MODULAR JACK ASSEMBLY, TOP ENTRY, 8 POSITION, KEYED, FLANGELESS, WITH PANEL STOPS			
SIZE	CAGE CODE	DRAWING NO	RESTRICTED TO
A2	00779	C-520260	-

520260