



Chipsmall Limited consists of a professional team with an average of over 10 year of expertise in the distribution of electronic components. Based in Hongkong, we have already established firm and mutual-benefit business relationships with customers from,Europe,America and south Asia,supplying obsolete and hard-to-find components to meet their specific needs.

With the principle of “Quality Parts,Customers Priority,Honest Operation,and Considerate Service”,our business mainly focus on the distribution of electronic components. Line cards we deal with include Microchip,ALPS,ROHM,Xilinx,Pulse,ON,Everlight and Freescale. Main products comprise IC,Modules,Potentiometer,IC Socket,Relay,Connector.Our parts cover such applications as commercial,industrial, and automotives areas.

We are looking forward to setting up business relationship with you and hope to provide you with the best service and solution. Let us make a better world for our industry!



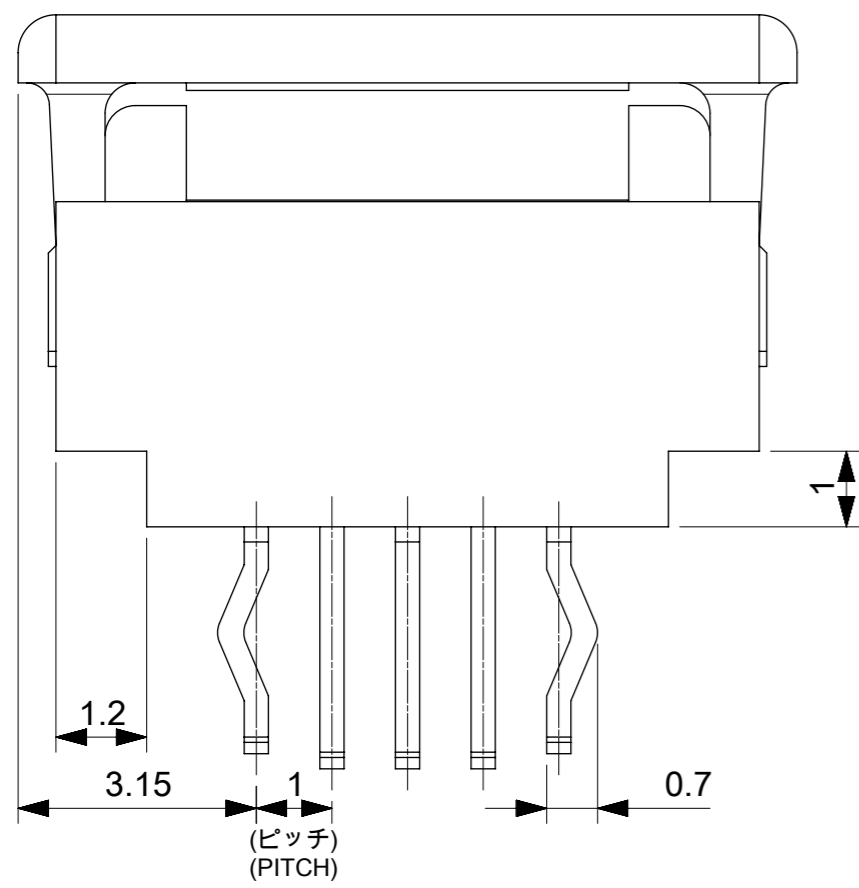
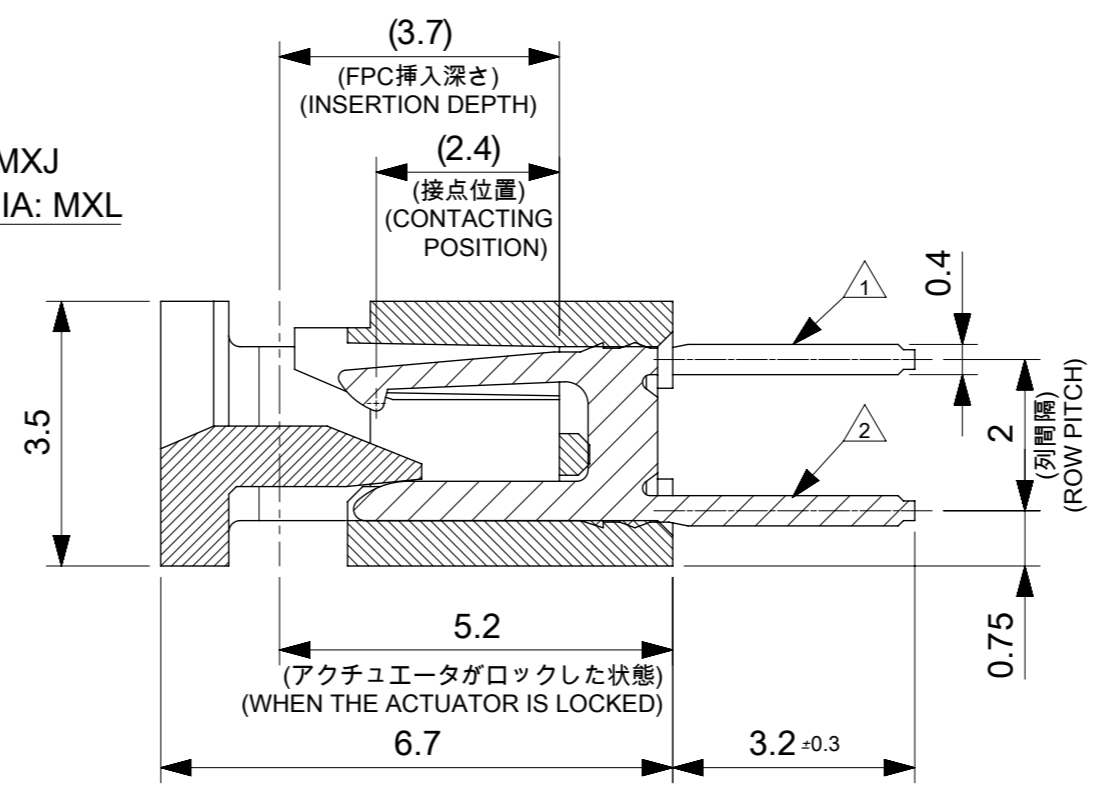
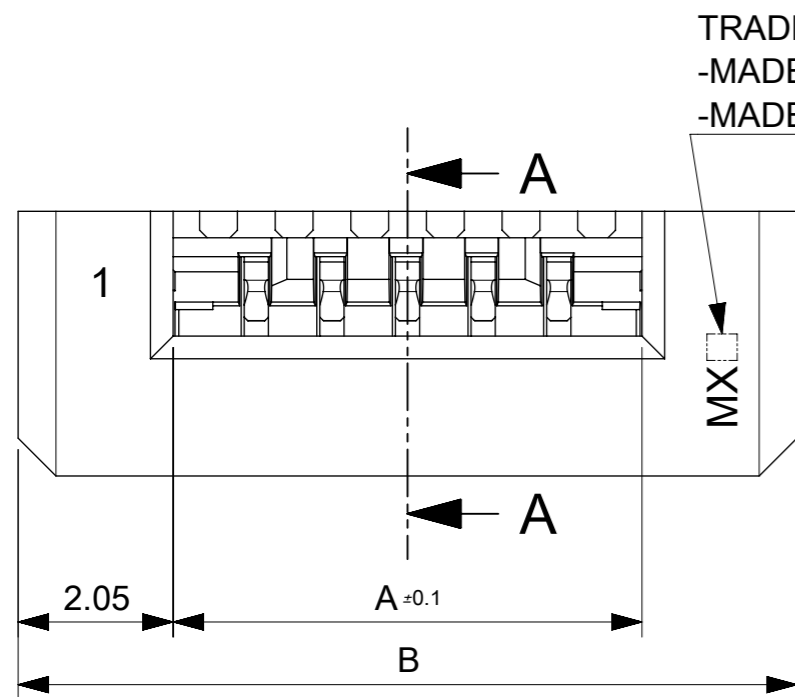
Contact us

Tel: +86-755-8981 8866 Fax: +86-755-8427 6832

Email & Skype: info@chipsmall.com Web: www.chipsmall.com

Address: A1208, Overseas Decoration Building, #122 Zhenhua RD., Futian, Shenzhen, China





注記
NOTES

- △1 CKT.NO.1を基準に偶数番目のソルダーテール。
EVEN NO. SOLDER TAIL.
- △2 CKT.NO.1を基準に奇数番目のソルダーテール。
ODD NO. SOLDER TAIL.

3. 材料

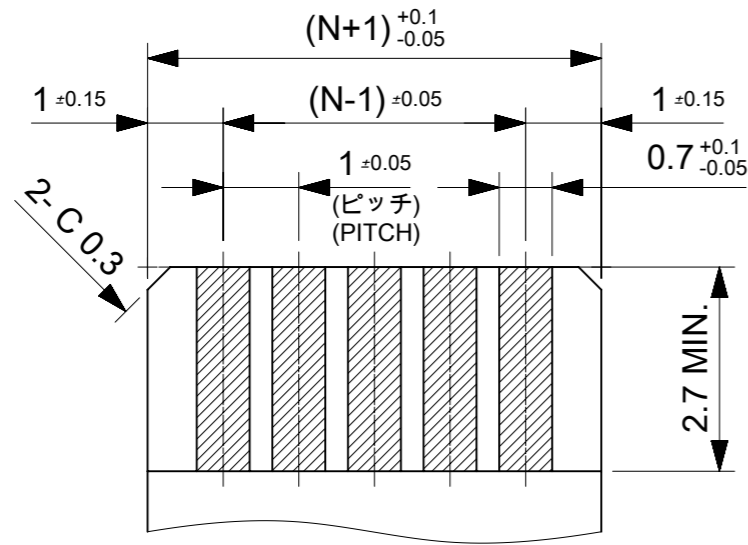
MATERIAL

ターミナル:リン青銅、ニッケル下地、錫ビスマスめっき (t=0.32)
 TERMINAL:PHOSPHOR BRONZE, TIN-BISMUTH OVER NICKEL PLATING.
 ハウジング:66ナイロン、UL94V-0
 HOUSING:66NYLON, UL94V-0
 アクチュエータ:ポリエステル、UL94V-0
 ACTUATOR:POLYESTER, UL94V-0

- 4. 本製品は、52030-**10の鉛フリー品である。
THIS PRODUCT IS LEAD FREE OF 52030-**10.

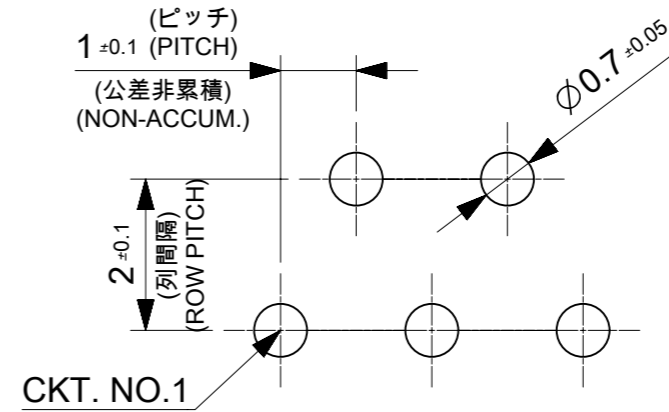
35.3	31.2	52030-3029	30
34.3	30.2	52030-2929	29
33.3	29.2	52030-2829	28
32.3	28.2	52030-2729	27
31.3	27.2	52030-2629	26
30.3	26.2	52030-2529	25
29.3	25.2	52030-2429	24
28.3	24.2	52030-2329	23
27.3	23.2	52030-2229	22
26.3	22.2	52030-2129	21
25.3	21.2	52030-2029	20
24.3	20.2	52030-1929	19
23.3	19.2	52030-1829	18
22.3	18.2	52030-1729	17
21.3	17.2	52030-1629	16
20.3	16.2	52030-1529	15
19.3	15.2	52030-1429	14
18.3	14.2	52030-1329	13
17.3	13.2	52030-1229	12
16.3	12.2	52030-1129	11
15.3	11.2	52030-1029	10
14.3	10.2	52030-0929	9
13.3	9.2	52030-0829	8
12.3	8.2	52030-0729	7
11.3	7.2	52030-0629	6
10.3	6.2	52030-0529	5
9.3	5.2	52030-0429	4
8.3	4.2	52030-0329	3
B	A	オーダー番号 ORDER NO.	極数 CKT.

QUALITY SYMBOLS ▽A = 0 ▽E = 0 ▽F = 0 ▼ = 0 ▽C = 0 ⊠ = 0 ■ = 0 ▽ = 0	THIS DRAWING CONTAINS INFORMATION THAT IS PROPRIETARY TO MOLEX ELECTRONIC TECHNOLOGIES, LLC AND SHOULD NOT BE USED WITHOUT WRITTEN PERMISSION		DIMENSION UNITS MM		SCALE 10:1										
	GENERAL TOLERANCES (UNLESS SPECIFIED) ANGULAR TOL ± 3.0 °		DRWN BY JASANUMA		DATE 2015/12/01						1.0 FPC CONN ZIF (ST)				
	4 PLACES ± 0.2 3 PLACES ± 0.2 2 PLACES ± 0.2 1 PLACE ± 0.25 0 PLACES ± 0.3		CHK'D BY KTAKAHASHI		DATE 2015/12/08		PRODUCT CUSTOMER DRAWING								
	DRAFT WHERE APPLICABLE MUST REMAIN WITHIN DIMENSIONS		APPR BY YNOGAWA		DATE 2015/12/09						SERIES 52030		MATERIAL NUMBER SEE CHART		CUSTOMER GENERAL
EC NO: 102046 DRWN: JASANUMA CHK'D: KTAKAHASHI APPR: YNOGAWA		A3		THIRD ANGLE PROJECTION		DRAWING SIZE		DOCUMENT NUMBER 520301000		DOC TYPE PSD		DOC PART 000		SHEET NUMBER 1 OF 2	



(仕上がり厚さ:0.3±0.05)
(THICKNESS:0.3±0.05)

適合FPC推奨寸法
APPLICABLE FPC RECOMMENDED DIM.



基板取付穴推奨寸法(t=1.6)
RECOMMENDED P.C.BOARD HOLE DIM.(t=1.6)
(マウント面)
(MOUNT SURFACE)

FPCについて:

打ち抜き方向は、導体側から補強板側を推奨致します。
補強フィルム材質は、ポリイミドを推奨致します。
接着剤は、熱硬化接着剤を推奨致します。

ABOUT FPC:

RECOMMENDED PUNCHER DIRECTION: FROM CONDUCTOR SIDE TO STIFFENER BOARD SIDE.
RECOMMENDED MATERIAL:
STIFFENER FILM: POLYIMIDE
BONDING AGENT: THEROSETTING BONDING AGENT

QUALITY SYMBOLS ▽A = 0 ▽E = 0 ▽F = 0 ▼ = 0 ▽C = 0 ⊗ = 0 ■ = 0 ▽ = 0	THIS DRAWING CONTAINS INFORMATION THAT IS PROPRIETARY TO MOLEX ELECTRONIC TECHNOLOGIES, LLC AND SHOULD NOT BE USED WITHOUT WRITTEN PERMISSION										
	EC NO: 102046 DRWN: JASANUMA CHK'D: KTAKAHASHI APPR: YNOGAWA	2015/12/01 2015/12/08 2015/12/09	GENERAL TOLERANCES (UNLESS SPECIFIED)		DIMENSION UNITS	SCALE					
			ANGULAR TOL ± 3.0 °		MM	1:1					
			4 PLACES ± 0.2	3 PLACES ± 0.2	DRWN BY	DATE					
			2 PLACES ± 0.2	1 PLACE ± 0.25	KTAKAHASHI	2015/12/08	PRODUCT CUSTOMER DRAWING				
			0 PLACES ± 0.3	DRAFT WHERE APPLICABLE MUST REMAIN WITHIN DIMENSIONS	YNOGAWA	2015/12/09					
	DRAFT WHERE APPLICABLE MUST REMAIN WITHIN DIMENSIONS		DRAWING SIZE	THIRD ANGLE PROJECTION	SERIES		MATERIAL NUMBER		CUSTOMER		
			A3		52030	SEE CHART		GENERAL			
					DOCUMENT NUMBER		DOC TYPE	DOC PART	SHEET NUMBER		
					520301000		PSD	000	2 OF 2		