



Chipsmall Limited consists of a professional team with an average of over 10 year of expertise in the distribution of electronic components. Based in Hongkong, we have already established firm and mutual-benefit business relationships with customers from,Europe,America and south Asia,supplying obsolete and hard-to-find components to meet their specific needs.

With the principle of “Quality Parts,Customers Priority,Honest Operation,and Considerate Service”,our business mainly focus on the distribution of electronic components. Line cards we deal with include Microchip,ALPS,ROHM,Xilinx,Pulse,ON,Everlight and Freescale. Main products comprise IC,Modules,Potentiometer,IC Socket,Relay,Connector.Our parts cover such applications as commercial,industrial, and automotives areas.

We are looking forward to setting up business relationship with you and hope to provide you with the best service and solution. Let us make a better world for our industry!



Contact us

Tel: +86-755-8981 8866 Fax: +86-755-8427 6832

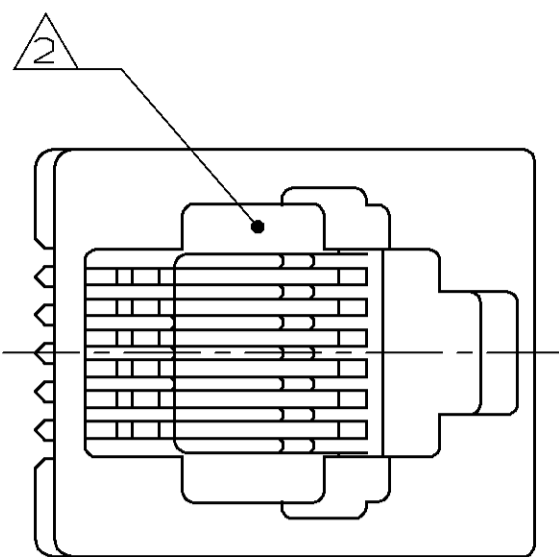
Email & Skype: info@chipsmall.com Web: www.chipsmall.com

Address: A1208, Overseas Decoration Building, #122 Zhenhua RD., Futian, Shenzhen, China

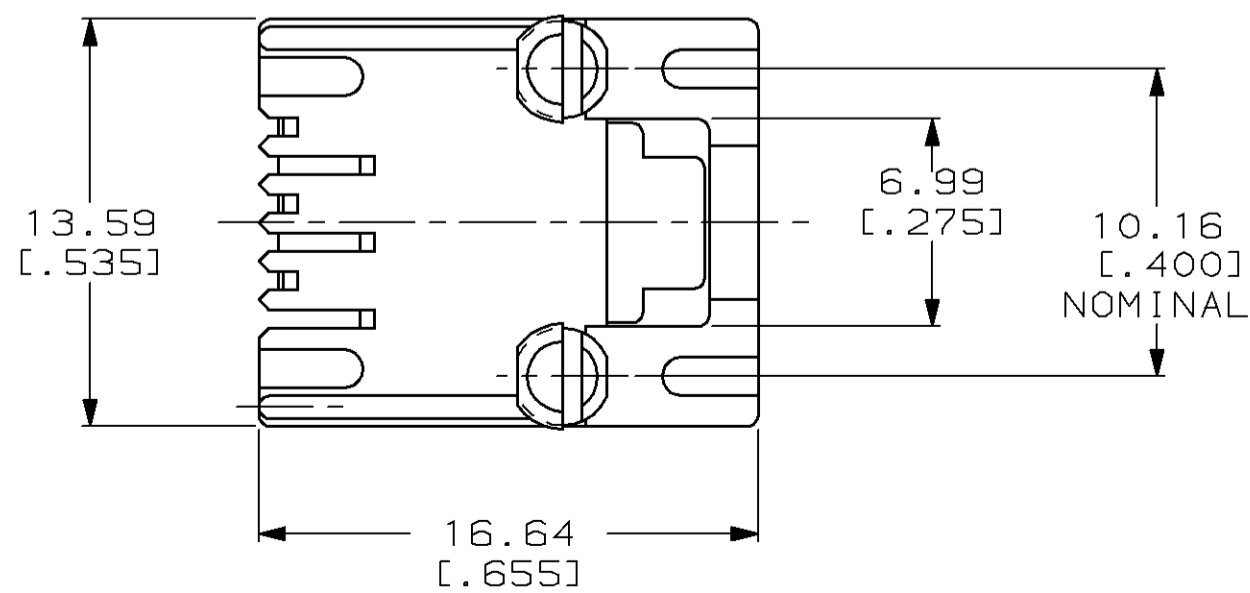
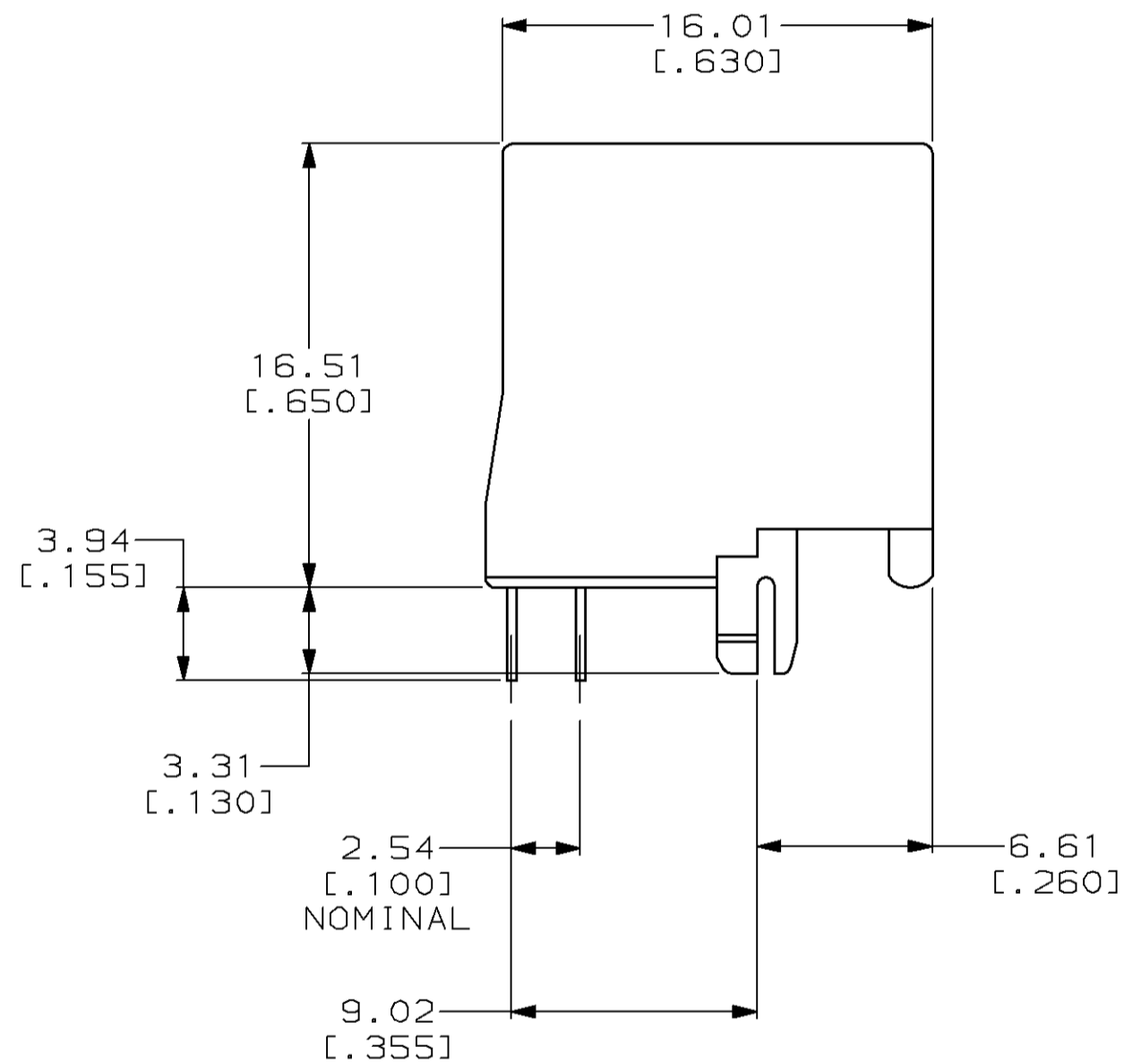
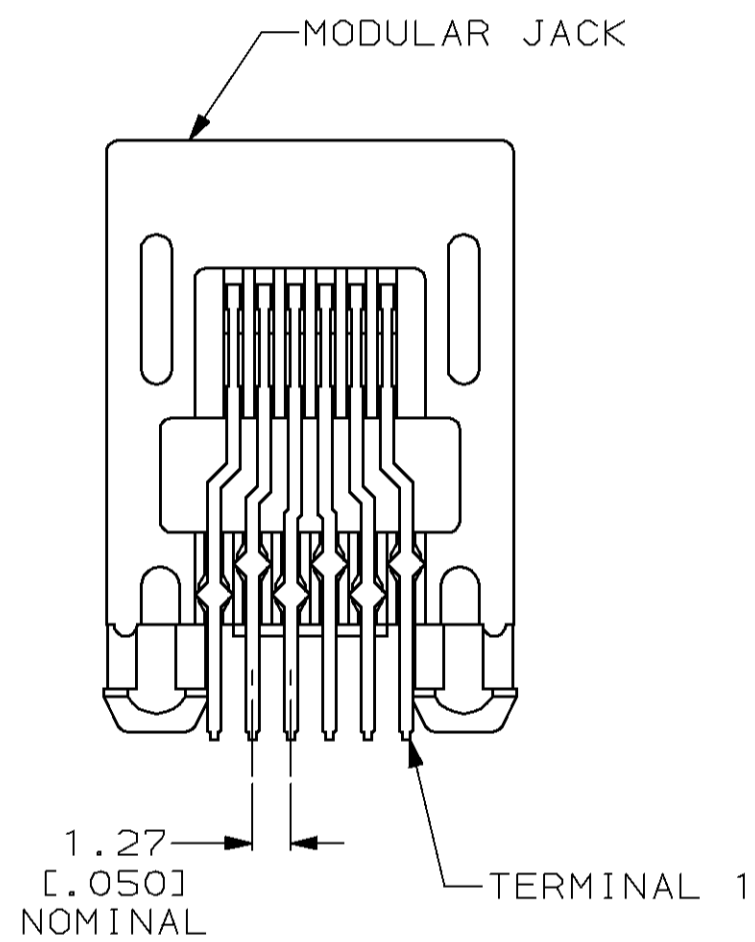


THIS DRAWING IS UNPUBLISHED. RELEASED FOR PUBLICATION
 BY AMP INCORPORATED. ALL RIGHTS RESERVED.

Loc		DIST		REVISIONS			
P	LTR	DESCRIPTION	DATE	DWN	APVD		
AA	22	H	OBS: -3; EC 0502-0849-97	21MAY98	DS	CB	



- ① MATERIAL:
HOUSING - PBT POLYESTER BLACK.
TERMINAL - PHOS-BRONZE PLATED WITH 1.27μm [.000050] THICK HARD GOLD IN LOCALIZED GOLD PLATE AREA AND 2.03μm [.000080] THICK TIN-LEAD IN SOLDER AREA AVER 1.27μm [.000050] THICK NICKEL UNDERPLATE.
- ② CAVITY CONFORMS TO FCC RULES AND REGULATIONS PART 68 AND REA BULLETIN 345-.81 PE-76 SPECIFICATION FOR MODULAR TELEPHONE HARDWARE.
- ③ DIMENSION ARE MAXIMUM UNLESS OTHERWISE SPECIFIED.
- ④ BULK PACKAGE IN A TRAY



④	6	520425-3
④	4	520425-2
PACKAGED	TERMINALS	PART NO.

THIS DRAWING IS A CONTROLLED DOCUMENT FOR AMP INCORPORATED. IT IS SUBJECT TO CHANGE AND THE CONTROLLING ENGINEERING ORGANIZATION SHOULD BE CONTACTED FOR THE LATEST REVISION.		DWN T. SPRINKLE 04DEC95	AMP Incorporated Harrisburg, PA 17105-3608																						
DIMENSIONS: mm [INCHES]		CHK C. WHITT 07DEC95	NAME K. WILLIN 07DEC95																						
TOLERANCES UNLESS OTHERWISE SPECIFIED:		APVD K. WILLIN 07DEC95																							
<table border="0"> <tr><td>0 PLC</td><td>±-</td><td>③</td></tr> <tr><td>1 PLC</td><td>±-</td><td></td></tr> <tr><td>2 PLC</td><td>±-</td><td></td></tr> <tr><td>3 PLC</td><td>±-</td><td></td></tr> <tr><td>4 PLC</td><td>±-</td><td></td></tr> <tr><td>ANGLES</td><td>±-</td><td></td></tr> <tr><td>FINISH</td><td>±-</td><td></td></tr> </table>		0 PLC	±-	③	1 PLC	±-		2 PLC	±-		3 PLC	±-		4 PLC	±-		ANGLES	±-		FINISH	±-		PRODUCT SPEC 108-1392	MODULAR JACK ASSEMBLY, TOP ENTRY, 6 POSITION, WITHOUT PANEL STOPS	
0 PLC	±-	③																							
1 PLC	±-																								
2 PLC	±-																								
3 PLC	±-																								
4 PLC	±-																								
ANGLES	±-																								
FINISH	±-																								
MATERIAL ①		APPLICATION SPEC 114-2048	SIZE A2	CAGE CODE 00779																					
		WEIGHT -	DRAWING NO C-520425																						
		CUSTOMER DRAWING	SCALE 4:1	SHEET 1 OF 1																					
			REV H																						