



Chipsmall Limited consists of a professional team with an average of over 10 year of expertise in the distribution of electronic components. Based in Hongkong, we have already established firm and mutual-benefit business relationships with customers from,Europe,America and south Asia,supplying obsolete and hard-to-find components to meet their specific needs.

With the principle of "Quality Parts,Customers Priority,Honest Operation,and Considerate Service",our business mainly focus on the distribution of electronic components. Line cards we deal with include Microchip,ALPS,ROHM,Xilinx,Pulse,ON,Everlight and Freescale. Main products comprise IC,Modules,Potentiometer,IC Socket,Relay,Connector.Our parts cover such applications as commercial,industrial, and automotives areas.

We are looking forward to setting up business relationship with you and hope to provide you with the best service and solution. Let us make a better world for our industry!



## Contact us

Tel: +86-755-8981 8866 Fax: +86-755-8427 6832

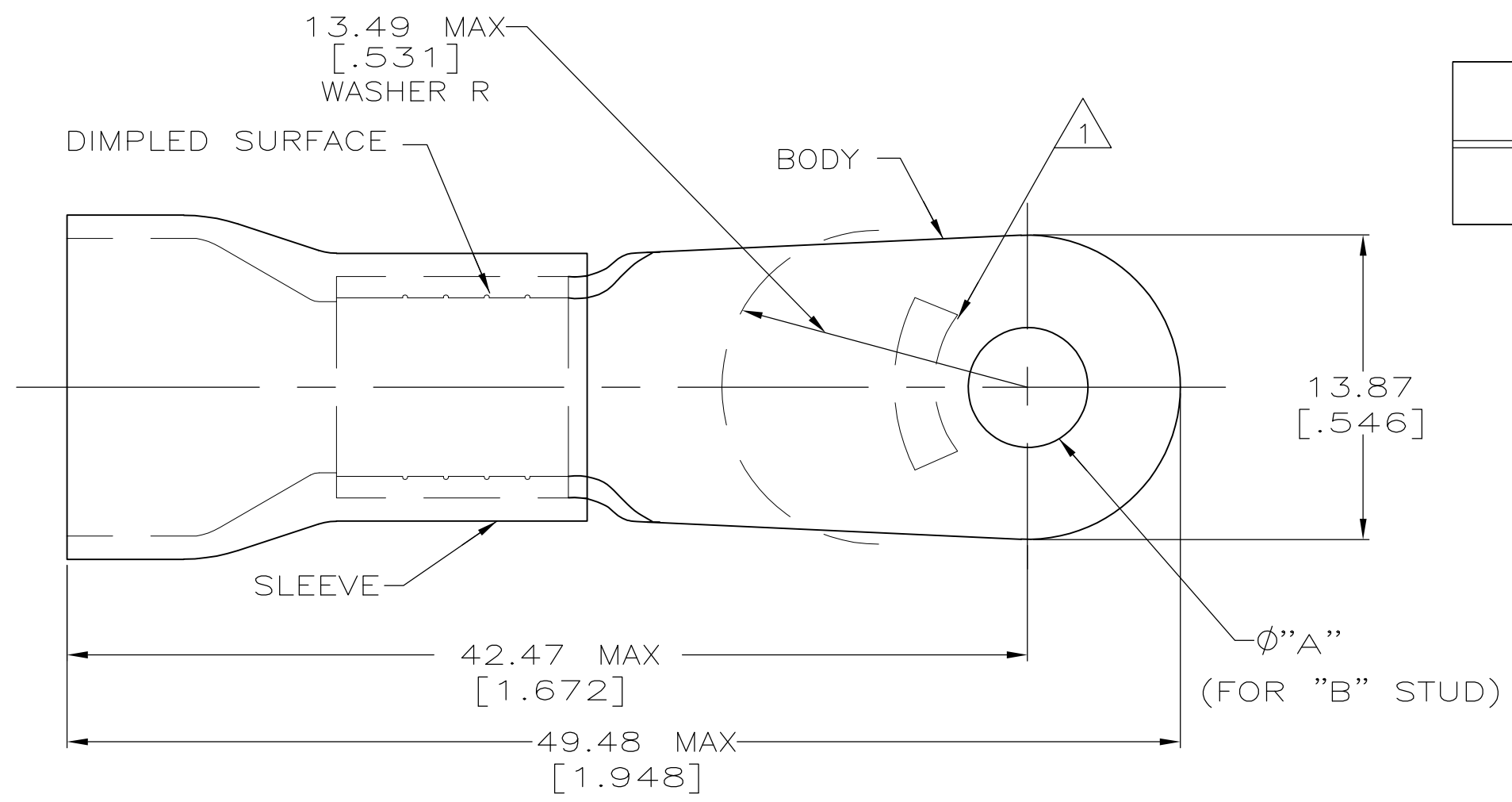
Email & Skype: info@chipsmall.com Web: www.chipsmall.com

Address: A1208, Overseas Decoration Building, #122 Zhenhua RD., Futian, Shenzhen, China



THIS DRAWING IS UNPUBLISHED. RELEASED FOR PUBLICATION  
 © COPYRIGHT BY TYCO ELECTRONICS CORPORATION. ALL INTERNATIONAL RIGHTS RESERVED.

LOC	DIST	REVISIONS					
G	14	P	LTR	DESCRIPTION	DATE	DWN	APVD
			L1	REVISED PER ECO-11-002228	11FEB11	HMR	DR



<b>AMP</b> WIRE RANGE	<b>AW</b> FILE E13288	<b>SR</b> LR7189 Certified
4 AWG STRANDED	4 AWG STRANDED	4 AWG STRANDED

- 1 STAMP AMP 4\* LOCATE APPROX AS SHOWN
- 2 TONGUE MATERIAL THK 1.22±0.08 [.048±.003]
- 3 SEE TABLE FOR WIRE INSULATION DIA MAX
- 4 TAPE ITEMS ARE ON 30.48 [1.200] CENTERS
- 5 NOTE DELETED
- 6 OBSOLETE

WIRE INSULATION DIA	"B"	"A"	QTY	PACKAGE TYPE	PART NO
11.43 [.450]	1/4	6.73±0.13 [.265±.005]	20	LOOSE PC, BOX SPL	8-52043-5 <sup>6</sup>
			50	LOOSE PC, BOX	8-52043-2 <sup>6</sup>
13.08 [.515]	#10	5.00±0.08 .197±.003	500	ON TAPE	52043-7
					52043-5
11.43 [.450]	1/4	6.73±0.13 .265±.005	100	LOOSE PC	52043-4
					52043-3
13.08 [.515]	1/4	6.73±0.13 .265±.005	#10	5.00±0.08 .197±.003	52043-2
					52043-1
					52043

<b>AMP INCORPORATED CUSTOMER SERVICE SYSTEMS</b>		MAX RECOMMENDED OPERATING TEMPERATURE: 105° C
FOR ADDITIONAL PRODUCT INFORMATION OR COPIES OF DRAWINGS AND TECHNICAL DOCUMENTS	PRODUCT INFORMATION CENTER 1-800-522-6752	VOLTAGE RATING: 600 V MAX
FOR APPLICATION TOOLING INFORMATION	TOOLING ASSISTANCE CENTER 1-800-722-1111	CIRCULAR MIL AREA: 16.77-26.65mm <sup>2</sup> [33,100-52,600] STRANDED
FOR ORDER ENTRY	1-800-526-5142	THIS DRAWING IS A CONTROLLED DOCUMENT FOR AMP INCORPORATED. IT IS SUBJECT TO CHANGE AND THE CONTROLLING ENGINEERING ORGANIZATION SHOULD BE CONTACTED FOR THE LATEST REVISION.

THIS DRAWING IS A CONTROLLED DOCUMENT.	
DIMENSIONS: mm [INCHES]	TOLERANCES UNLESS OTHERWISE SPECIFIED:
	0 PLC ± -
	1 PLC ± -
	2 PLC ± 0.20[.008]
	3 PLC ± -
	4 PLC ± -
	ANGLES ± -
MATERIAL COPPER PER ASTM B-152 PVC, COLOR: YELLOW	FINISH TIN PLATE PER ASTM-B545

DWN S.S. GOULDEN 9-28-93	<b>Tyco Electronics</b> Tyco Electronics Corporation Harrisburg, PA 17105-3608	NAME		TERMINAL, RING TONGUE, PLASTI-GRIP™ WIRE SIZE: 4 AWG			
CHK R. HERSEY 9-28-93		PRODUCT SPEC		SIZE	CAGE CODE	DRAWING NO	RESTRICTED TO
APVD B. BARE 9-28-93		APPLICATION SPEC		114-2161	A300779	C-52043	-
WEIGHT -		CUSTOMER DRAWING		SCALE 4:1	SHEET 1 OF 1	REV L1	