



Chipsmall Limited consists of a professional team with an average of over 10 year of expertise in the distribution of electronic components. Based in Hongkong, we have already established firm and mutual-benefit business relationships with customers from,Europe,America and south Asia,supplying obsolete and hard-to-find components to meet their specific needs.

With the principle of “Quality Parts,Customers Priority,Honest Operation,and Considerate Service”,our business mainly focus on the distribution of electronic components. Line cards we deal with include Microchip,ALPS,ROHM,Xilinx,Pulse,ON,Everlight and Freescale. Main products comprise IC,Modules,Potentiometer,IC Socket,Relay,Connector.Our parts cover such applications as commercial,industrial, and automotives areas.

We are looking forward to setting up business relationship with you and hope to provide you with the best service and solution. Let us make a better world for our industry!



Contact us

Tel: +86-755-8981 8866 Fax: +86-755-8427 6832

Email & Skype: info@chipsmall.com Web: www.chipsmall.com

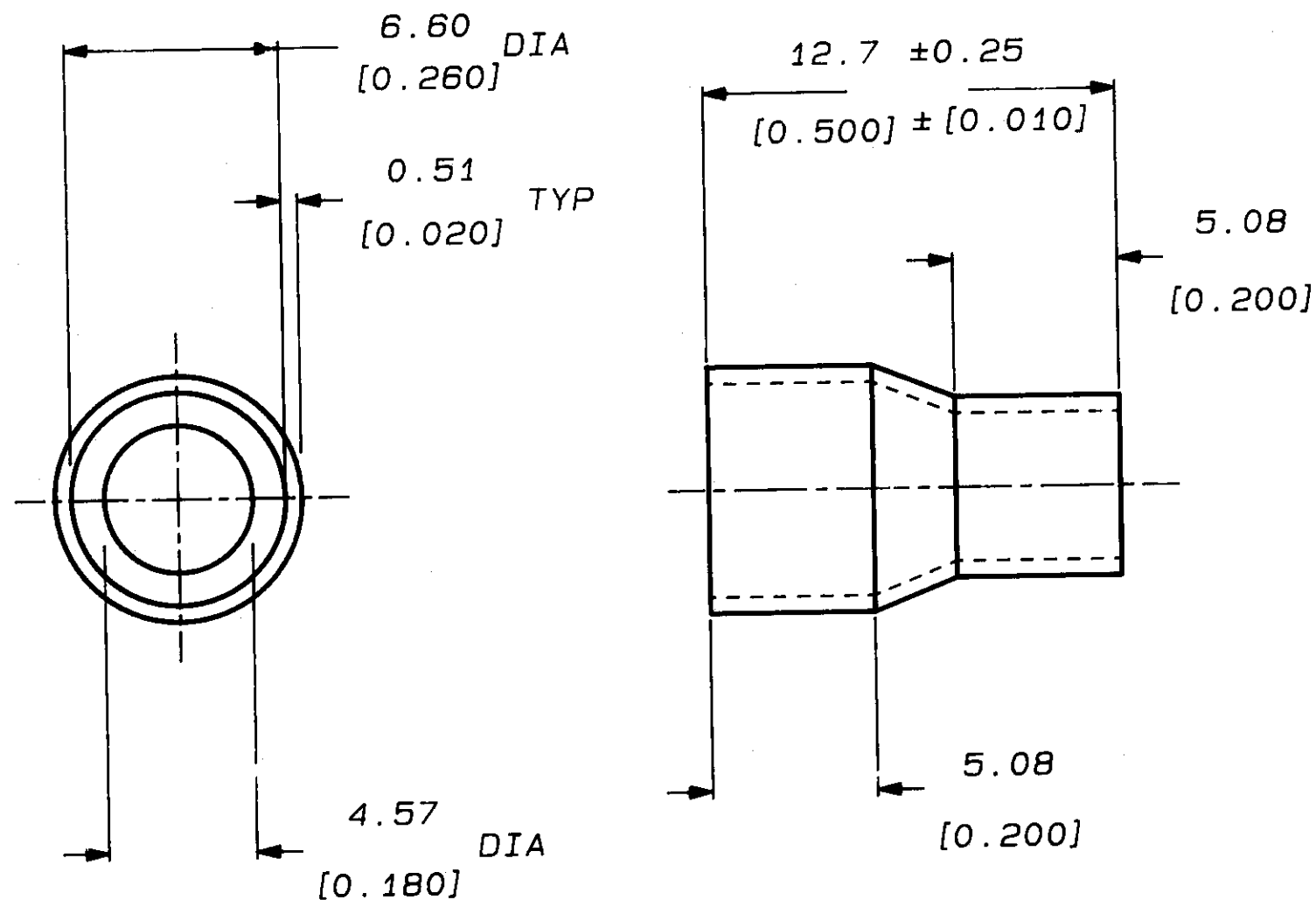
Address: A1208, Overseas Decoration Building, #122 Zhenhua RD., Futian, Shenzhen, China



THIS DRAWING IS UNPUBLISHED. RELEASED FOR PUBLICATION .19

© COPYRIGHT 19 BY AMP INCORPORATED, HARRISBURG, PA. ALL INTERNATIONAL RIGHTS RESERVED. AMP PRODUCTS MAY BE COVERED BY U.S. AND FOREIGN PATENTS AND/OR PATENTS PENDING.

REVISIONS						
P	F	ZONE	LTR	DESCRIPTION	DATE	APPROVED
✓	1		A	REV. PER AF0372, RELEASED PER P.A.R.	7/22/84	SS /
			B	REV PER AF 4834	6/17/84	dl /



- 1 DIMENSIONS IN BRACKETS ARE IN INCHES
- 2 INSULATION RANGE: 4.42-3.73 [0.174-0.147]

520432-1

PART NO

UNLESS OTHERWISE SPECIFIED DIMENSIONS ARE IN INCHES TOLERANCES ON: DECIMALS ± 0.00 (0.012) ANGLES ±	CONTRACT NO	AMP AMP INCORPORATED Harrisburg, Pa.		
	DR <i>S. Schaffhausen</i> 5/2/84			
	MATERIAL	CHK <i>G. Miller</i> 5/2/84	NAME SDL FERRULE STYLE A (4 POSITION)	
	COPPER	APPD <i>Jon Paulin</i> 7/25/84		
FINISH	APPD <i>C. Rhode</i> 7-26-84	SIZE	FSCM NO	DRAWING NO
BRIGHT TIN	DSGN APPD	B	00779	520432
	OTHER APPD	SCALE	SHEET	

CUSTOMER DRAWING