



Chipsmall Limited consists of a professional team with an average of over 10 year of expertise in the distribution of electronic components. Based in Hongkong, we have already established firm and mutual-benefit business relationships with customers from,Europe,America and south Asia,supplying obsolete and hard-to-find components to meet their specific needs.

With the principle of “Quality Parts,Customers Priority,Honest Operation,and Considerate Service”,our business mainly focus on the distribution of electronic components. Line cards we deal with include Microchip,ALPS,ROHM,Xilinx,Pulse,ON,Everlight and Freescale. Main products comprise IC,Modules,Potentiometer,IC Socket,Relay,Connector.Our parts cover such applications as commercial,industrial, and automotives areas.

We are looking forward to setting up business relationship with you and hope to provide you with the best service and solution. Let us make a better world for our industry!



Contact us

Tel: +86-755-8981 8866 Fax: +86-755-8427 6832

Email & Skype: info@chipsmall.com Web: www.chipsmall.com

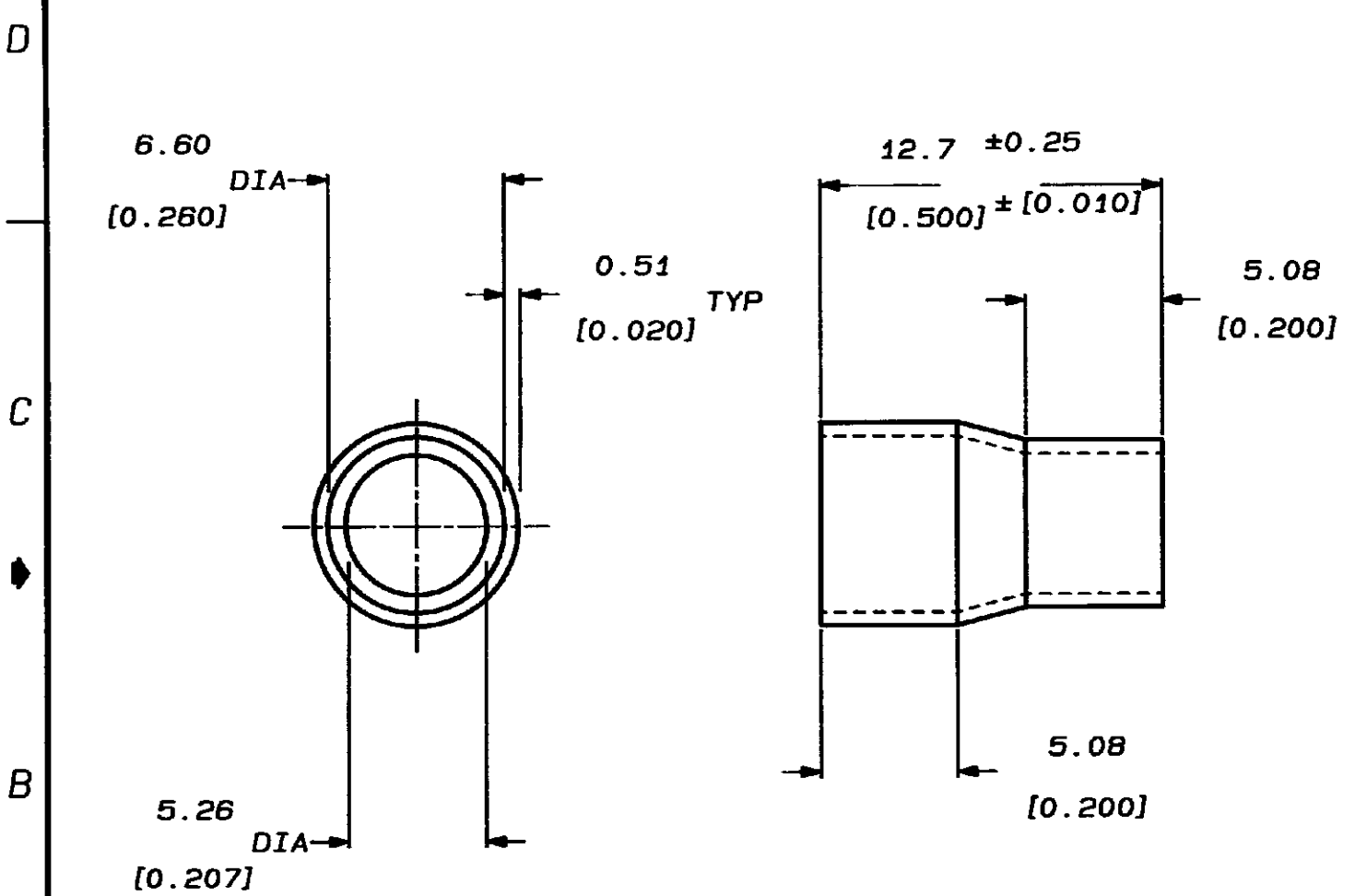
Address: A1208, Overseas Decoration Building, #122 Zhenhua RD., Futian, Shenzhen, China



4
DRAWING MADE IN THIRD ANGLE PROJECTION
THIS DRAWING IS UNPUBLISHED. RELEASED FOR PUBLICATION .19
© COPYRIGHT 19 BY AMP INCORPORATED, HARRISBURG, PA. ALL INTERNATIONAL RIGHTS RESERVED. AMP PRODUCTS MAY BE COVERED BY U.S. AND FOREIGN PATENTS AND/OR PATENTS PENDING.

1 LOC 80 DIST 50

REVISIONS						
P	F	ZONE	LTR	DESCRIPTION	DATE	APPROVED
1	✓		A	REV. PER AF0372 RELEASED PER P.A.R.	7/22/84	SS
			B	REV PER FF 4654	8/25/87	A1



- 1 DIMENSIONS IN BRACKETS ARE IN INCHES
- 2 INSULATION RANGE: 5.11-4.16 [0.201-0.164]

520433-1

PART NO

UNLESS OTHERWISE SPECIFIED DIMENSIONS ARE IN INCHES. TOLERANCES ON DECIMALS ± 0.00 IN. ANGLES ±		CONTRACT NO		AMP INCORPORATED Harrisburg, Pa.	
MATERIAL COPPER		DR <i>S. Schaffner</i> 5/2/84		NAME SDL FERRULE STYLE B (4 POSITION)	
FINISH BRIGHT TIN		CHK <i>G. Patten</i> 5/2/84		SIZE B	
		APPD <i>John D. ...</i> 7/25/84		FSCN NO 00779	
		APPD <i>C. Patten</i> 7-26-84		DRAWING NO 520433	
		DSGN APPD		SCALE	
		OTHER APPD		SHEET	

CUSTOMER DRAWING