



Chipsmall Limited consists of a professional team with an average of over 10 year of expertise in the distribution of electronic components. Based in Hongkong, we have already established firm and mutual-benefit business relationships with customers from,Europe,America and south Asia,supplying obsolete and hard-to-find components to meet their specific needs.

With the principle of “Quality Parts,Customers Priority,Honest Operation,and Considerate Service”,our business mainly focus on the distribution of electronic components. Line cards we deal with include Microchip,ALPS,ROHM,Xilinx,Pulse,ON,Everlight and Freescale. Main products comprise IC,Modules,Potentiometer,IC Socket,Relay,Connector.Our parts cover such applications as commercial,industrial, and automotives areas.

We are looking forward to setting up business relationship with you and hope to provide you with the best service and solution. Let us make a better world for our industry!



Contact us

Tel: +86-755-8981 8866 Fax: +86-755-8427 6832

Email & Skype: info@chipsmall.com Web: www.chipsmall.com

Address: A1208, Overseas Decoration Building, #122 Zhenhua RD., Futian, Shenzhen, China



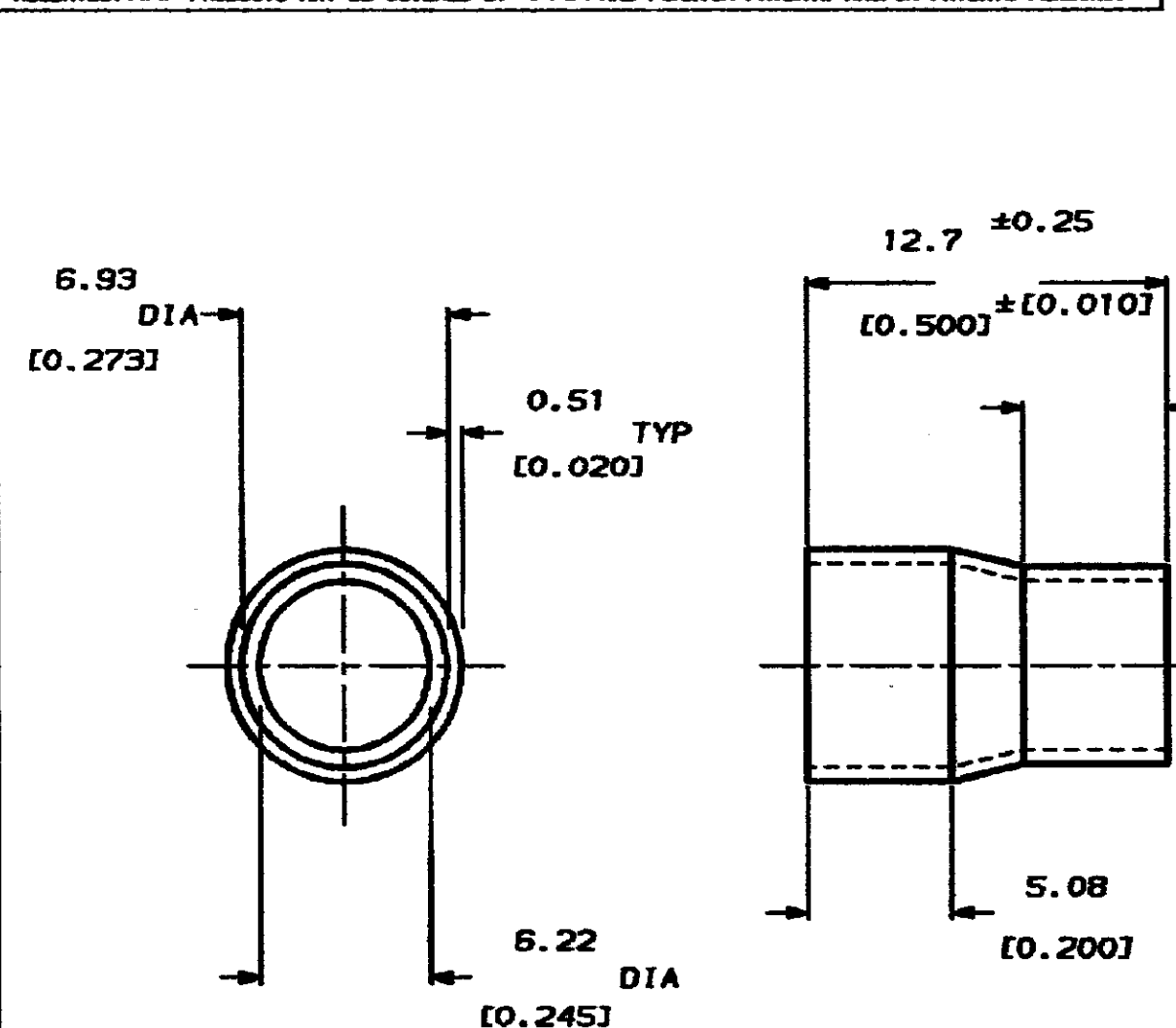
DRAWING MADE IN THIRD ANGLE PROJECTION
 THIS DRAWING IS UNPUBLISHED. RELEASED FOR PUBLICATION
 © COPYRIGHT 19 BY AMP INCORPORATED, HARRISBURG, PA. ALL INTERNATIONAL RIGHTS RESERVED. AMP PRODUCTS MAY BE COVERED BY U.S. AND FOREIGN PATENTS AND/OR PATENTS PENDING.

N 131 LOC BD DIST 50

		REVISIONS				
P	F	ZONE	LTR	DESCRIPTION	DATE	APPROVED
			A	REV. PER AF0372 RELEASED PER P.A.R.	7/22/84	SS
			B	REV PER AF-4854	8-28-87	DH
	✓		C	REVISED ECN BD2908	8-25-88	/ -

D
C
B
A

D
C
B
A



- 1 DIMENSIONS IN BRACKETS ARE IN INCHES
- 2 INSULATION RANGE: 5.85-4.82 [0.230-0.190]

520435-1

PART NO

UNLESS OTHERWISE SPECIFIED DIMENSIONS ARE IN INCHES UNLESS OTHERWISE SPECIFIED. DECIMALS ±0.005 ANGLES ±		CONTRACT NO		AMP INCORPORATED Harrisburg, Pa.	
MATERIAL COPPER		DR 5-3-84 S. SCOFFNER		NAME SDL FERRULE STYLE B (6 POSITION)	
FINISH BRIGHT TIN		CHK 5-3-84 G. WETTER			
		APPO 7-30-84 J. PRITTSKY		SIZE B	FIG. NO 00779
		APPO 7-30-84 C. BRES		DRAWING NO 520435	SHEET 1 OF 1
		DESN APPO		SCALE	
		OTHER APPO			

AMP 1470-15 REV 2-81
 AMP INCORPORATED HARRISBURG, PA.

CUSTOMER DRAWING