



Chipsmall Limited consists of a professional team with an average of over 10 year of expertise in the distribution of electronic components. Based in Hongkong, we have already established firm and mutual-benefit business relationships with customers from,Europe,America and south Asia,supplying obsolete and hard-to-find components to meet their specific needs.

With the principle of “Quality Parts,Customers Priority,Honest Operation,and Considerate Service”,our business mainly focus on the distribution of electronic components. Line cards we deal with include Microchip,ALPS,ROHM,Xilinx,Pulse,ON,Everlight and Freescale. Main products comprise IC,Modules,Potentiometer,IC Socket,Relay,Connector.Our parts cover such applications as commercial,industrial, and automotives areas.

We are looking forward to setting up business relationship with you and hope to provide you with the best service and solution. Let us make a better world for our industry!



Contact us

Tel: +86-755-8981 8866 Fax: +86-755-8427 6832

Email & Skype: info@chipsmall.com Web: www.chipsmall.com

Address: A1208, Overseas Decoration Building, #122 Zhenhua RD., Futian, Shenzhen, China



4

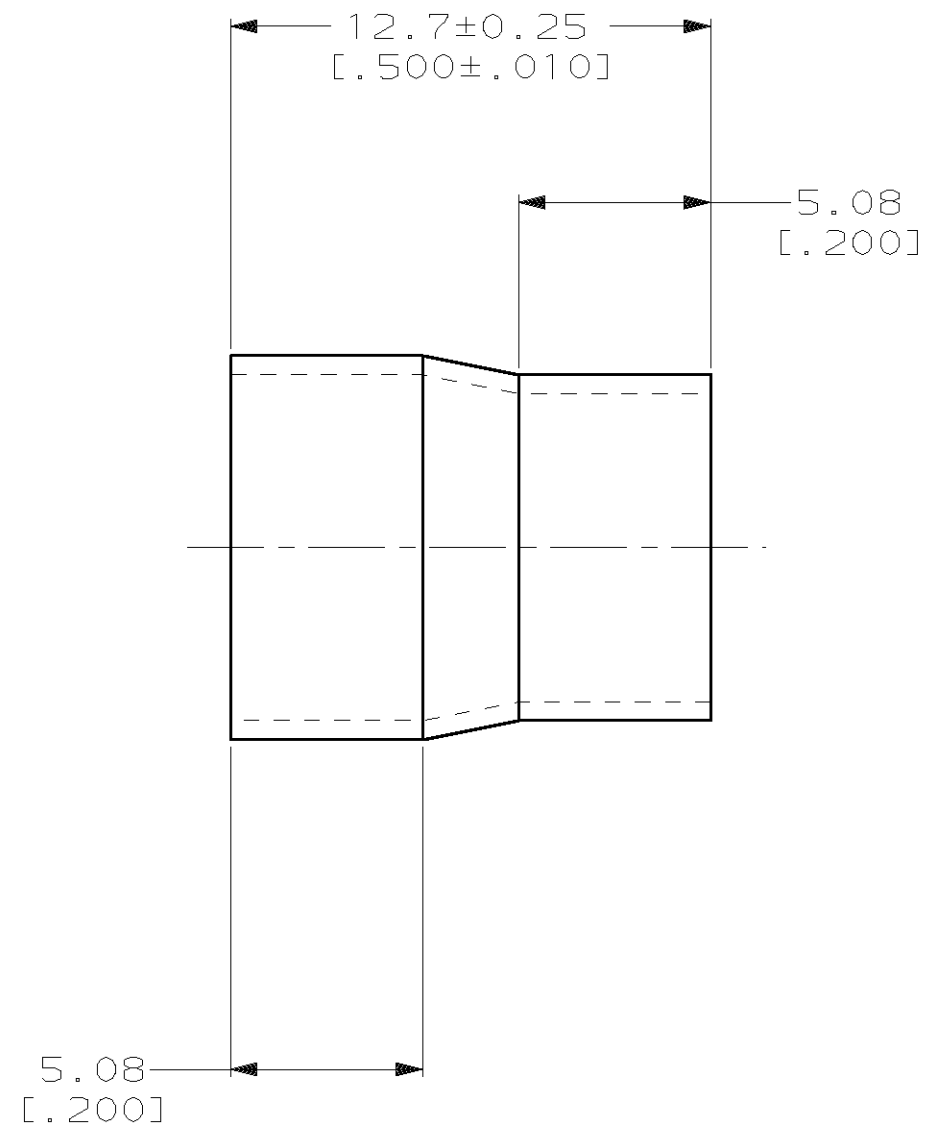
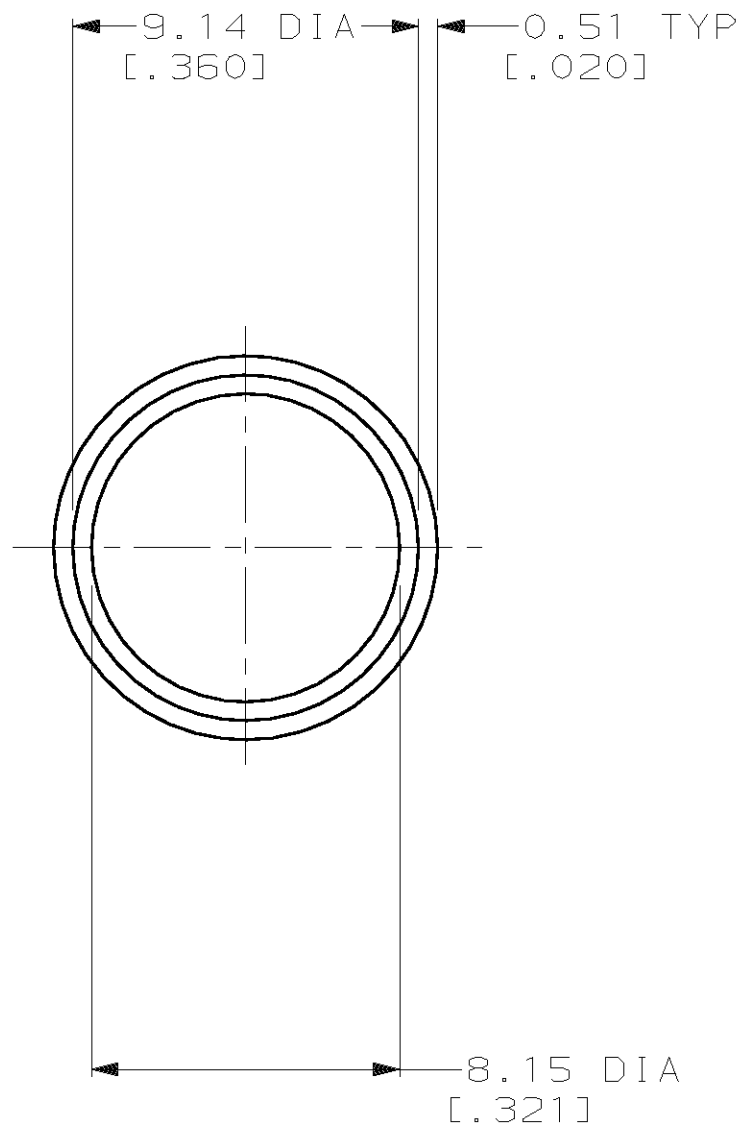
3

2

1

THIS DRAWING IS UNPUBLISHED. RELEASED FOR PUBLICATION, 19 .
 © COPYRIGHT 19 BY AMP INCORPORATED. ALL RIGHTS RESERVED.

LOC	DIST	REVISIONS			
P	LTR	DESCRIPTION	DATE	DWN	APVD
		A	REVISED PER AF0372	22 JUL 84	SS GY
		B	RELEASED PER P.A.R	03 OCT 84	SS GY
		C	REV PER AF4854	29 JUN 87	DH -
		D	REV PER EC 0G40-180-98	07 APR 99	DH JS



520441-1
PART NUMBER

1. INSULATION RANGE:
8.00-6.65 [0.315-0.262]

THIS DRAWING IS A CONTROLLED DOCUMENT.		DWN S. SCHAFFHAUSER 02 APR 84	AMP AMP Incorporated Harrisburg, PA 17105-3608												
DIMENSIONS: mm [INCHES]		CHK G. YETTER 02 APR 84													
TOLERANCES UNLESS OTHERWISE SPECIFIED:		APVD C. ROHDE 02 APR 84	NAME FERRULE, STYLE B, 16 POSITION, SDL												
<table border="1"> <tr><td>0 PLC</td><td>±-</td></tr> <tr><td>1 PLC</td><td>±-</td></tr> <tr><td>2 PLC</td><td>±0.38 [.015]</td></tr> <tr><td>3 PLC</td><td>±-</td></tr> <tr><td>4 PLC</td><td>±-</td></tr> <tr><td>ANGLES</td><td>±-</td></tr> </table>		0 PLC	±-	1 PLC	±-	2 PLC	±0.38 [.015]	3 PLC	±-	4 PLC	±-	ANGLES	±-	PRODUCT SPEC -	SIZE A3
0 PLC	±-														
1 PLC	±-														
2 PLC	±0.38 [.015]														
3 PLC	±-														
4 PLC	±-														
ANGLES	±-														
MATERIAL COPPER	FINISH BRIGHT TIN	APPLICATION SPEC -	CAGE CODE 00779												
		WEIGHT -	DRAWING NO C- 520441												
		CUSTOMER DRAWING	RESTRICTED TO -												
		SCALE 5:1	SHEET 1 OF 1												
			REV D												