



Chipsmall Limited consists of a professional team with an average of over 10 year of expertise in the distribution of electronic components. Based in Hongkong, we have already established firm and mutual-benefit business relationships with customers from,Europe,America and south Asia,supplying obsolete and hard-to-find components to meet their specific needs.

With the principle of “Quality Parts,Customers Priority,Honest Operation,and Considerate Service”,our business mainly focus on the distribution of electronic components. Line cards we deal with include Microchip,ALPS,ROHM,Xilinx,Pulse,ON,Everlight and Freescale. Main products comprise IC,Modules,Potentiometer,IC Socket,Relay,Connector.Our parts cover such applications as commercial,industrial, and automotives areas.

We are looking forward to setting up business relationship with you and hope to provide you with the best service and solution. Let us make a better world for our industry!



## Contact us

Tel: +86-755-8981 8866 Fax: +86-755-8427 6832

Email & Skype: info@chipsmall.com Web: www.chipsmall.com

Address: A1208, Overseas Decoration Building, #122 Zhenhua RD., Futian, Shenzhen, China

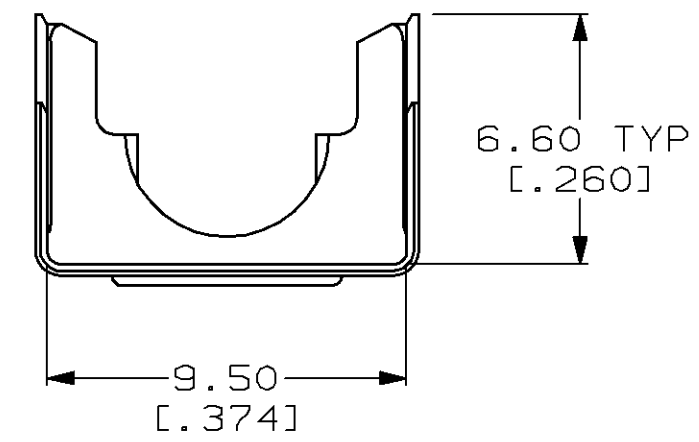
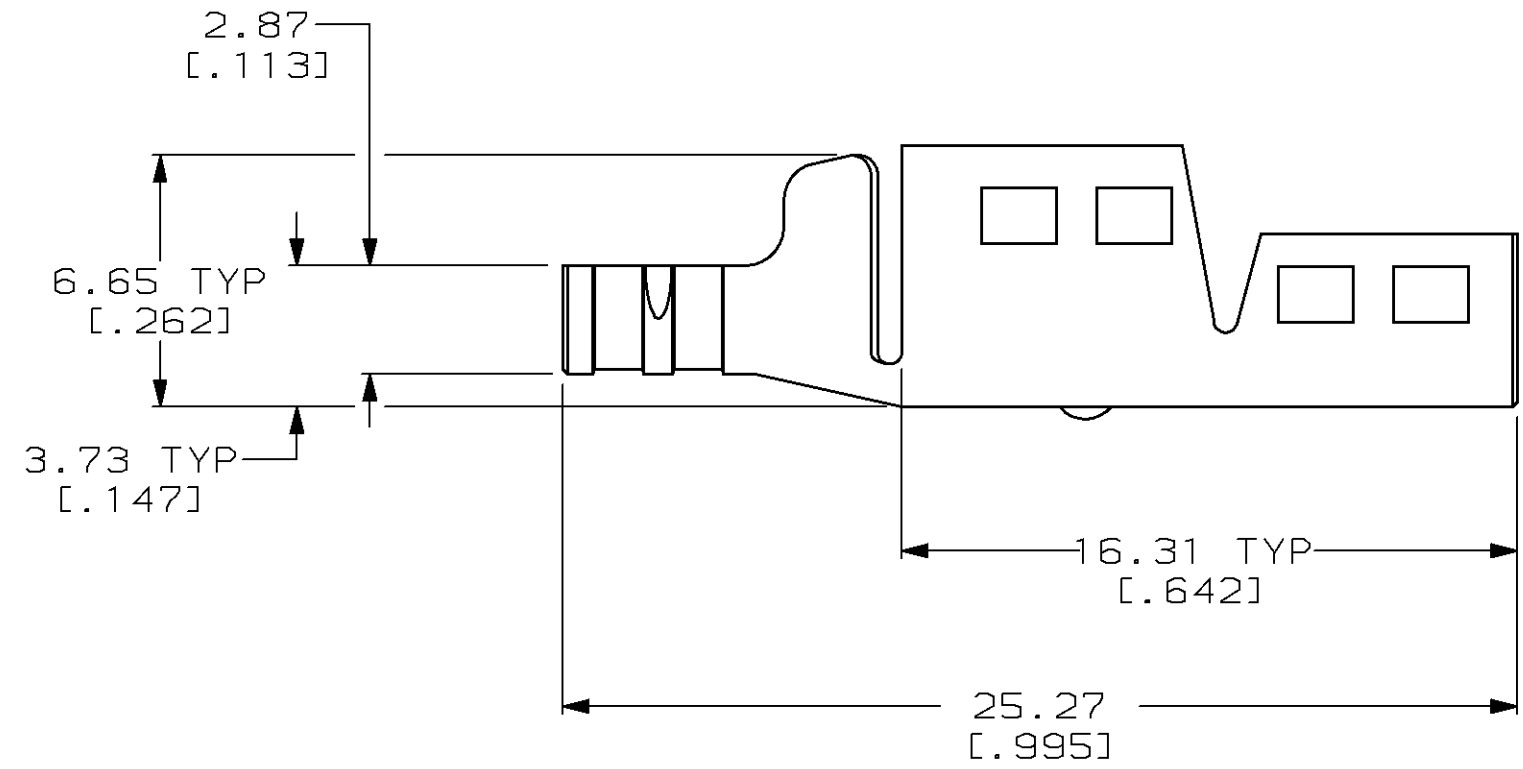


THIS DRAWING IS UNPUBLISHED. RELEASED FOR PUBLICATION, 19 .  
 © COPYRIGHT 19 BY AMP INCORPORATED. ALL INTERNATIONAL RIGHTS RESERVED.

LOC	DIST	P	F	REVISIONS				
				ZONE	LTR	DESCRIPTION	DATE	APPD
BD	50				D	REDRAWN	9/27/90	-
					E	REV PER ECN BD5662 & 5592	11/21/91	-
					F	REV PER EC 0410-251-97	22 SEP 97	JDS

1. THIS PART TO BE USED WITH:  
 PLUG ASSEMBLY 520424-1 (ALL KEY PREFIXES)  
 BOTTOM SHIELD 520461-1

FERRULE	CABLE DIAMETER
520432-1	4.42-3.73 [.174-.147]
520433-1	5.11-4.17 [.201-.164]



520460-1  
 PART NUMBER

DO NOT SCALE PRINT. UNLESS SPECIFIED DIMENSIONS IN mm [INCHES] TOLERANCES ON : 2 PLC DEC ± 0.38 [.015] 3 PLC DEC ± - ANGLES ± -		DR 9/27/90 A.STAUB BG		AMP Incorporated Harrisburg, PA 17105-3608	
MATERIAL 0.320 [.0126] CARBON STEEL		CHK 2-25-91 R.STONE			
FINISH 3.81 μm [.000150] MIN TIN OVER 2.54 μm [.000100] MIN COPPER		APPD 2-27-91 J.PRITULSKY		SHELL, TOP HALF, 4 POSITION, SDL	
APPLICATION SPEC -		APPD -			
WEIGHT -		PRODUCT SPEC -		SIZE C	CAGE CODE 00779
		DRAWING NO 520460		DRAWING NO 520460	
		SCALE 5:1		SHEET 1 OF 1	