



Chipsmall Limited consists of a professional team with an average of over 10 year of expertise in the distribution of electronic components. Based in Hongkong, we have already established firm and mutual-benefit business relationships with customers from,Europe,America and south Asia,supplying obsolete and hard-to-find components to meet their specific needs.

With the principle of “Quality Parts,Customers Priority,Honest Operation,and Considerate Service”,our business mainly focus on the distribution of electronic components. Line cards we deal with include Microchip,ALPS,ROHM,Xilinx,Pulse,ON,Everlight and Freescale. Main products comprise IC,Modules,Potentiometer,IC Socket,Relay,Connector.Our parts cover such applications as commercial,industrial, and automotives areas.

We are looking forward to setting up business relationship with you and hope to provide you with the best service and solution. Let us make a better world for our industry!



Contact us

Tel: +86-755-8981 8866 Fax: +86-755-8427 6832

Email & Skype: info@chipsmall.com Web: www.chipsmall.com

Address: A1208, Overseas Decoration Building, #122 Zhenhua RD., Futian, Shenzhen, China

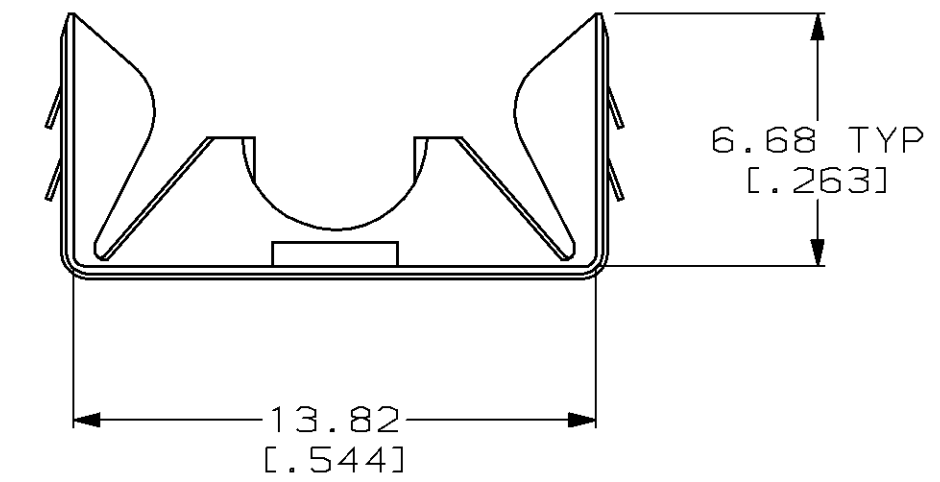
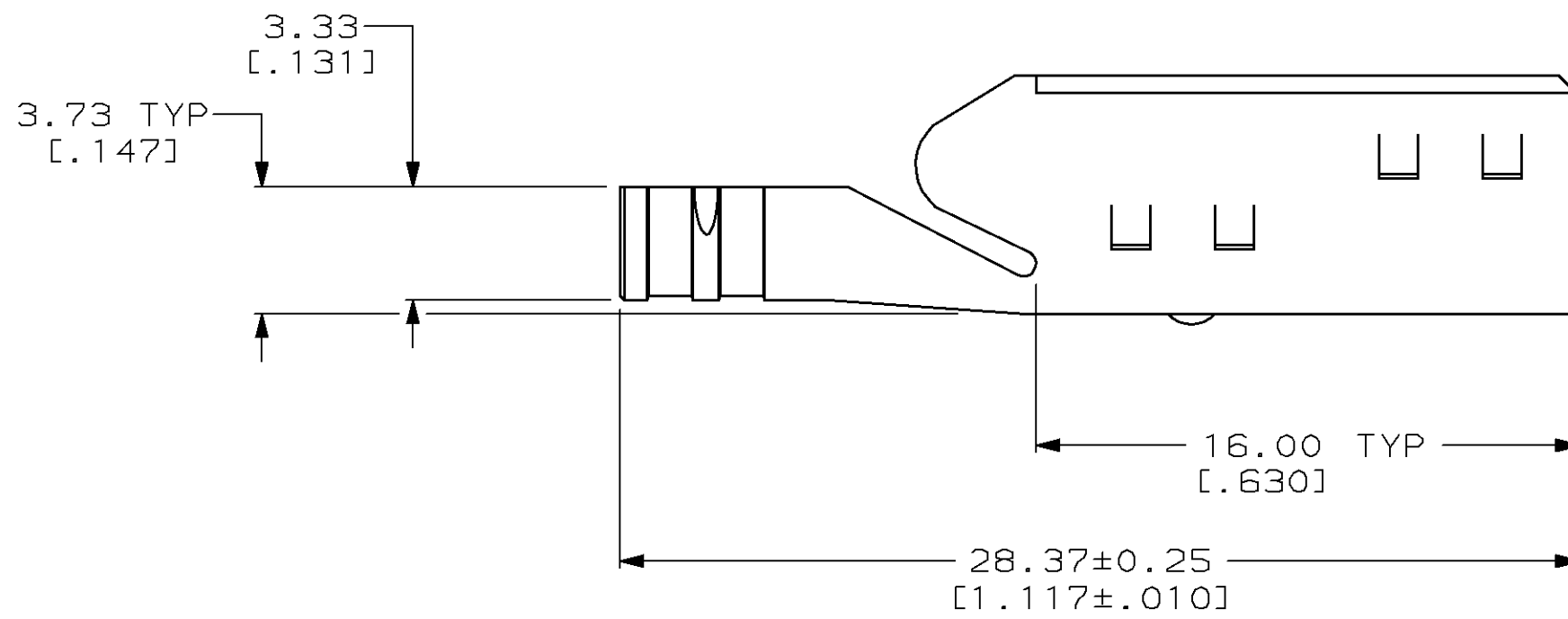


THIS DRAWING IS UNPUBLISHED. RELEASED FOR PUBLICATION, 19 .
 © COPYRIGHT 19 BY AMP INCORPORATED. ALL INTERNATIONAL RIGHTS RESERVED.

LOC	DIST	P	F	ZONE	LTR	DESCRIPTION	DATE	APPD
BD	50				E	REDRAWN, REVISED PER ECN BD4702	9/27/90	-
					F	REV PER ECN BD4955	5-20-91	JP
					G	REV PER ECN BD5592	11/21/91	-
					H	REV PER EC 0410-251-97	22 SEP 97	JDS

1. THIS PART TO BE USED WITH:
 PLUG ASSEMBLY 520424-3 (ALL KEY PREFIXES)
 TOP SHIELD 520464-1

FERRULE	CABLE DIAMETER
520436-1	4.55-5.38 [.179-.212]
520437-1	5.13-6.25 [.202-.246]



520465-1
 PART NUMBER

DO NOT SCALE PRINT. UNLESS SPECIFIED DIMENSIONS IN mm [INCHES] TOLERANCES ON: 2 PLC DEC ± 0.38 [.015] 3 PLC DEC ± - ANGLES ± -	DR 9/27/90 A.STAUB BG CHK 2-27-91 R STONE APPD 2-27-91 J PRITULSKY	AMP Incorporated Harrisburg, PA 17105-3608 NAME SHELL, BOTTOM HALF, 8 POSITION, SDL	
MATERIAL 0.320 [.0126] CARBON STEEL	APPD - PRODUCT SPEC -		
FINISH 3.81 μm [.000150] MIN TIN OVER 2.54 μm [.000100] MIN COPPER	APPLICATION SPEC - WEIGHT -	SIZE C 00779	DRAWING NO 520465
		SCALE 5:1	SHEET 1 OF 1