



Chipsmall Limited consists of a professional team with an average of over 10 year of expertise in the distribution of electronic components. Based in Hongkong, we have already established firm and mutual-benefit business relationships with customers from,Europe,America and south Asia,supplying obsolete and hard-to-find components to meet their specific needs.

With the principle of “Quality Parts,Customers Priority,Honest Operation,and Considerate Service”,our business mainly focus on the distribution of electronic components. Line cards we deal with include Microchip,ALPS,ROHM,Xilinx,Pulse,ON,Everlight and Freescale. Main products comprise IC,Modules,Potentiometer,IC Socket,Relay,Connector.Our parts cover such applications as commercial,industrial, and automotives areas.

We are looking forward to setting up business relationship with you and hope to provide you with the best service and solution. Let us make a better world for our industry!



Contact us

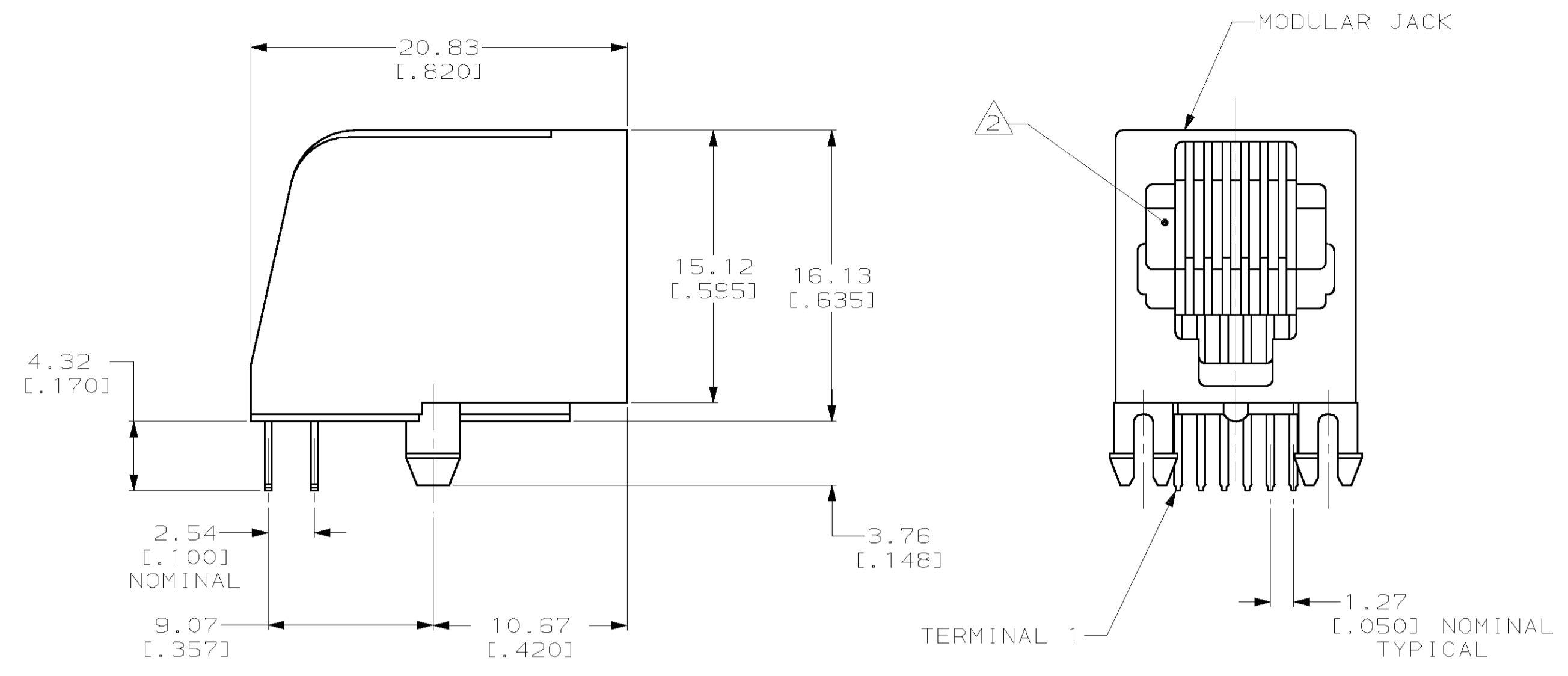
Tel: +86-755-8981 8866 Fax: +86-755-8427 6832

Email & Skype: info@chipsmall.com Web: www.chipsmall.com

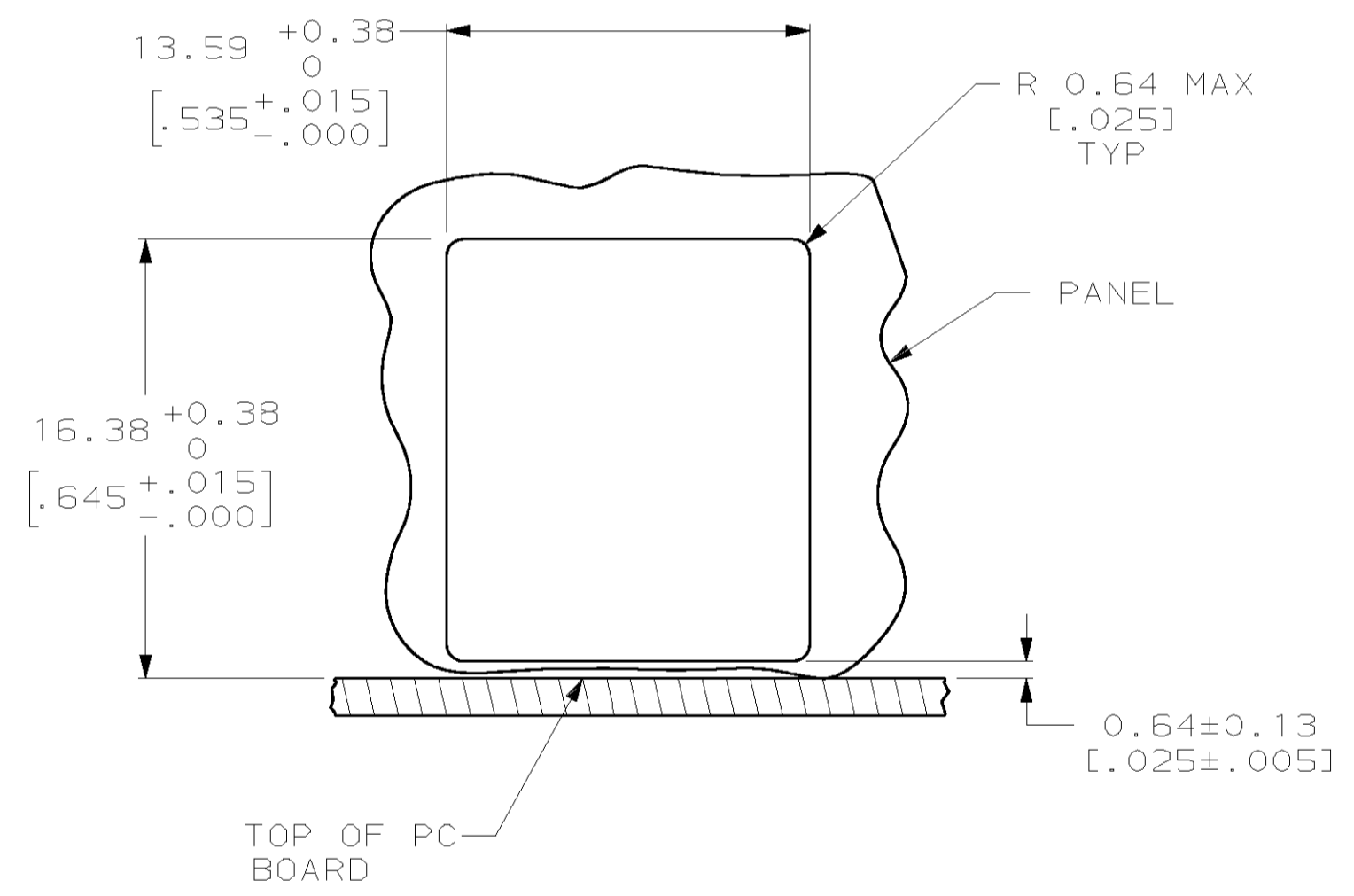
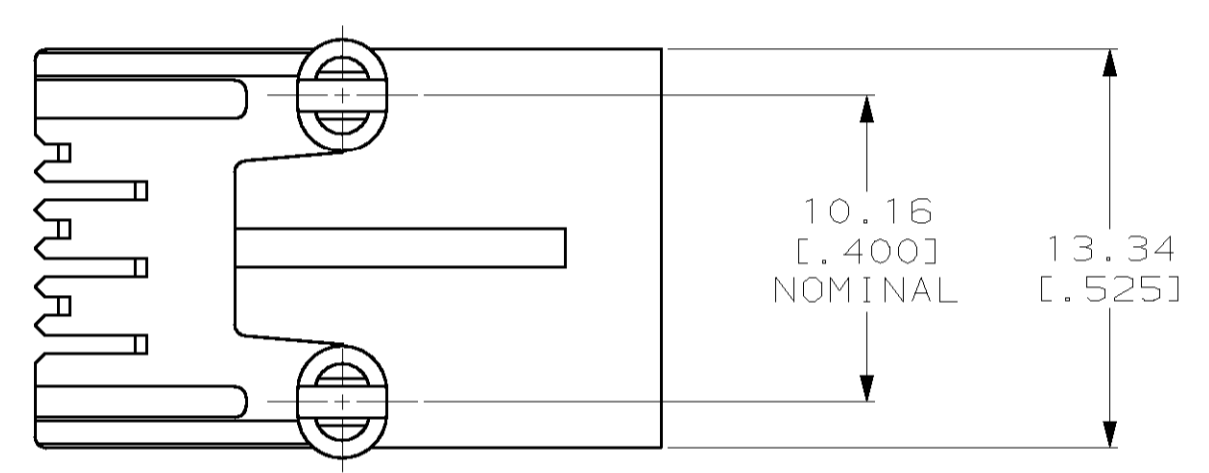
Address: A1208, Overseas Decoration Building, #122 Zhenhua RD., Futian, Shenzhen, China



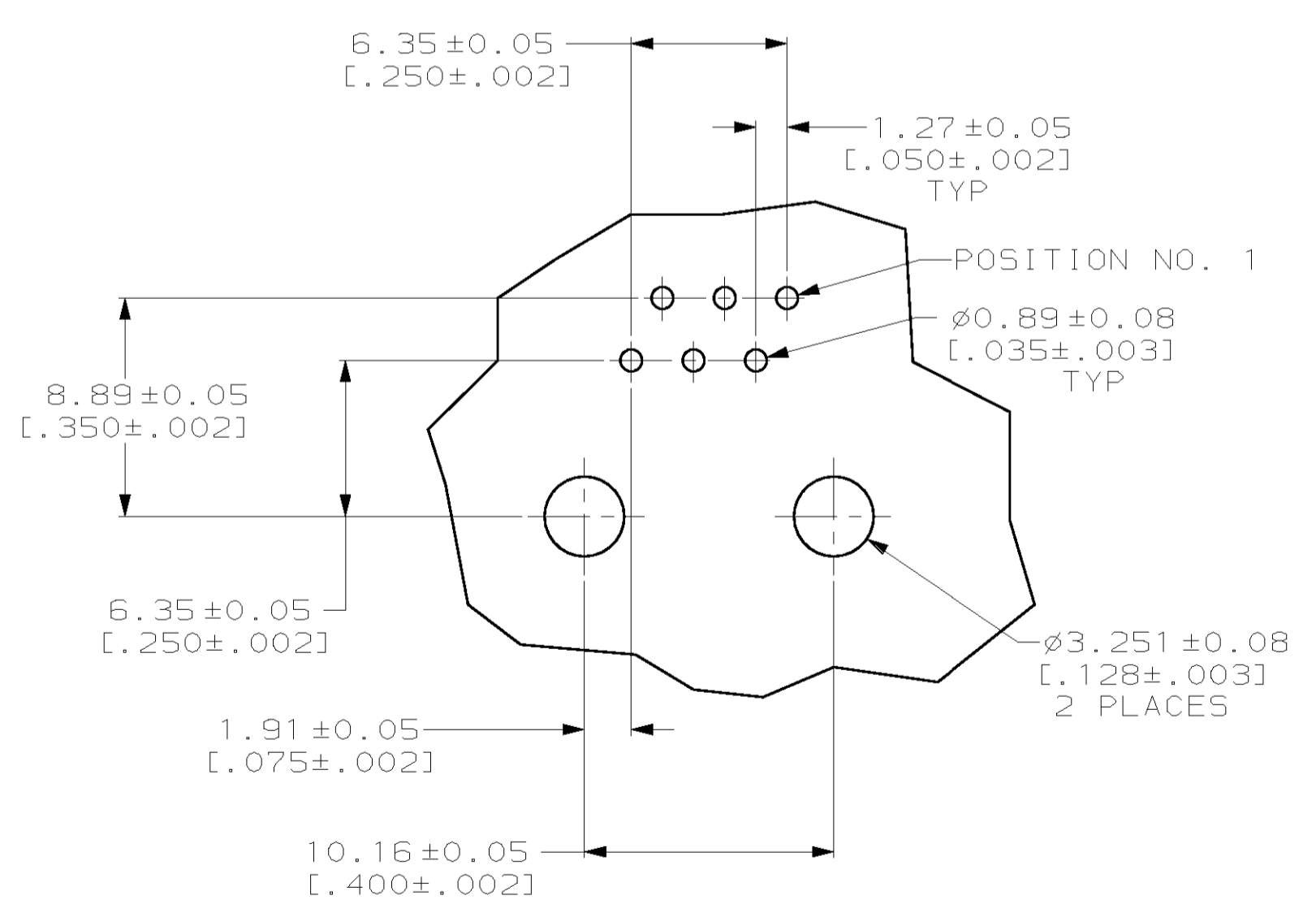
LOC	DIST	REV	DATE	BY	APPV
AA	22	G	5-26-95	ST	BF



- 1 MATERIAL: HOUSING - PBT POLYESTER, BLACK
 TERMINAL - 0.35[.0138] THICK PHOS-BRONZE
 PLATED WITH 1.27µm[.000050] MINIMUM THICK
 HARD GOLD IN LOCALIZED GOLD PLATE AREA
 AND 3.81µm[.000150] MINIMUM THICK TIN-
 LEAD IN SOLDER AREA OVER 1.27µm[.000050]
 MINIMUM THICK NICKEL UNDERPLATE.
- 2 CAVITY CONFORMS TO FCC RULES AND
 REGULATIONS PART 68 AND REA BULLETIN
 345-81, PE-76 SPECIFICATION FOR MODULAR
 TELEPHONE HARDWARE.
- 3 DIMENSIONS ARE MAXIMUM UNLESS OTHERWISE
 SPECIFIED.
- 4 TERMINALS LOCATED IN CENTER TWO POSITIONS
 ARE FOR 520470-4.



PANEL CUTOUT



PRINTED CIRCUIT BOARD LAYOUT
 NONCOMPONENT SIDE SHOWN

2 / 4	520470-4
6	520470-3
CONTACTS	PART NUMBER

THIS DRAWING IS A CONTROLLED DOCUMENT.		DWN S. TUCKER 5-26-95	AMP Incorporated Harrisburg, PA 17105-3608
DIMENSIONS: mm [INCHES]		CHK B. FOX 5-26-95	
TOLERANCES UNLESS OTHERWISE SPECIFIED:		APPV J. TONEY 5-26-95	NAME MODULAR JACK ASSEMBLY, SIDE ENTRY, 6 POSITION, FLANGELESS
0 PLC ± 1 PLC ± 2 PLC ± 3 PLC ± 4 PLC ± ANGLES ±		PRODUCT SPEC 108-1163	
MATERIAL		APPLICATION SPEC 114-2048	SIZE A1
FINISH		WEIGHT	CAGE CODE DRAWING NO 00779
CUSTOMER DRAWING		SCALE 4:1	RESTRICTED TO 520470
		SHEET 1 OF 1	REV 6