



Chipsmall Limited consists of a professional team with an average of over 10 year of expertise in the distribution of electronic components. Based in Hongkong, we have already established firm and mutual-benefit business relationships with customers from,Europe,America and south Asia,supplying obsolete and hard-to-find components to meet their specific needs.

With the principle of "Quality Parts,Customers Priority,Honest Operation,and Considerate Service",our business mainly focus on the distribution of electronic components. Line cards we deal with include Microchip,ALPS,ROHM,Xilinx,Pulse,ON,Everlight and Freescale. Main products comprise IC,Modules,Potentiometer,IC Socket,Relay,Connector.Our parts cover such applications as commercial,industrial, and automotives areas.

We are looking forward to setting up business relationship with you and hope to provide you with the best service and solution. Let us make a better world for our industry!



Contact us

Tel: +86-755-8981 8866 Fax: +86-755-8427 6832

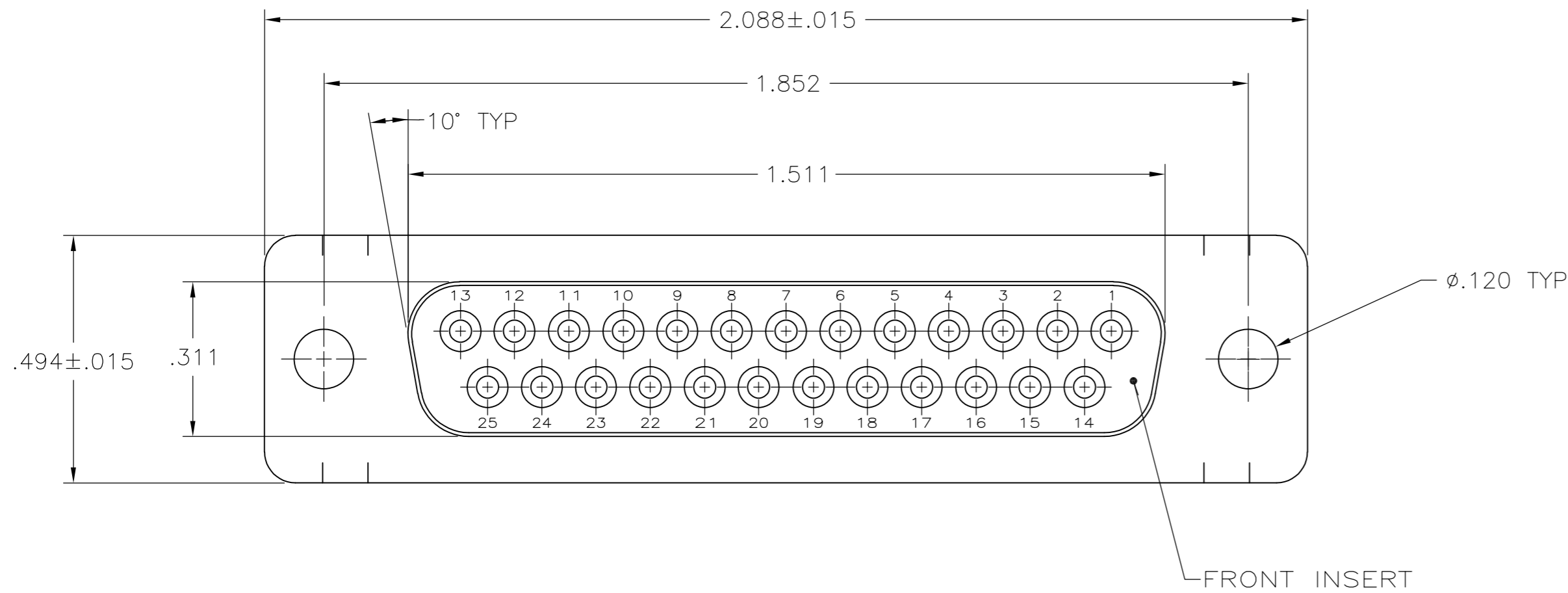
Email & Skype: info@chipsmall.com Web: www.chipsmall.com

Address: A1208, Overseas Decoration Building, #122 Zhenhua RD., Futian, Shenzhen, China

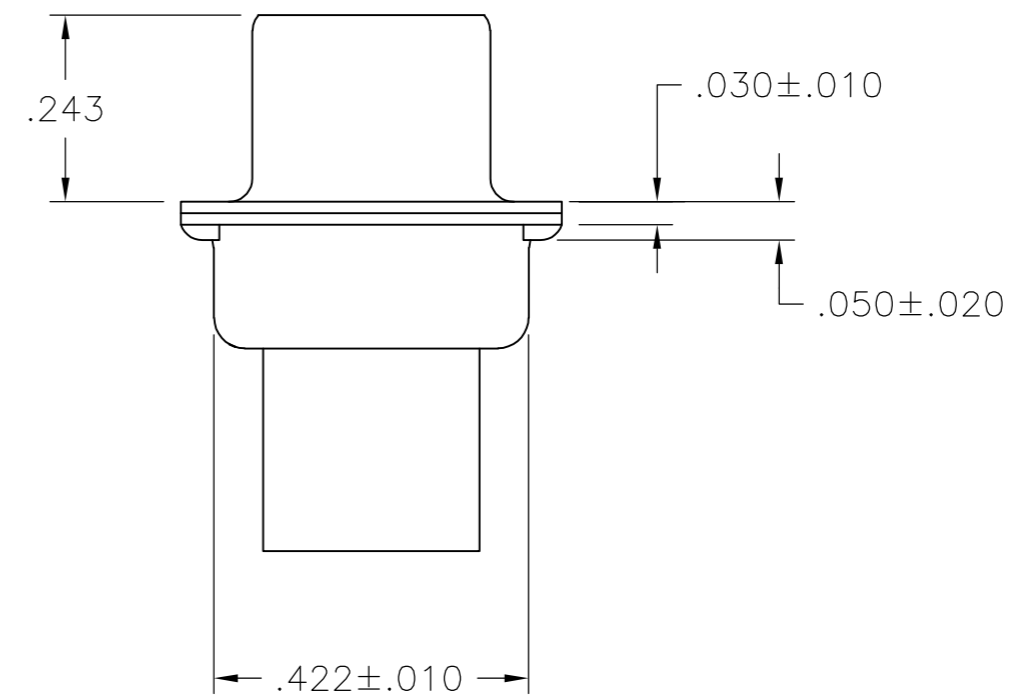
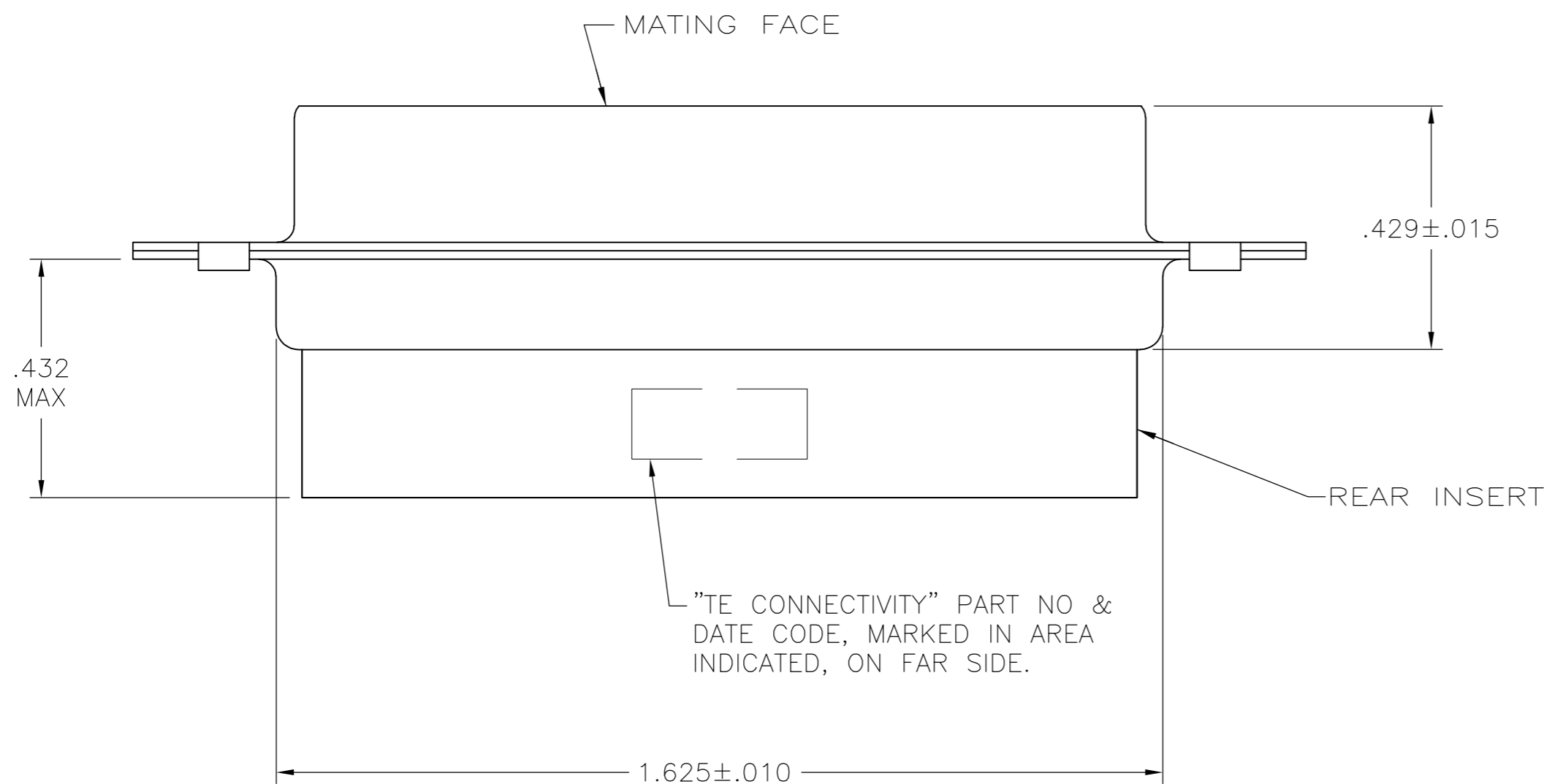


THIS DRAWING IS UNPUBLISHED. RELEASED FOR PUBLICATION
 © COPYRIGHT - By - ALL RIGHTS RESERVED.

LOC		DIST		REVISIONS			
P	LTR	DESCRIPTION		DATE	DWN	APVD	
GP	00	P		REVISED PER ECO-11-005033	23MAR11	RK	HMR



- CONNECTOR ACCEPTS SIZE 20 DF SOCKET CONTACTS, RETENTION TINES ARE AN INTEGRAL PART OF INSERT.
- CONNECTOR COMPLIES WITH AMP SPEC. 108-40005 WHERE APPLICABLE.
- 3** MATERIAL:
 INSERTS: FLAME RETARDANT 94V-0 RATED GLASS FILLED NYLON, COLOR: BLACK.
 SHELLS: STEEL.
- 4** FINISH:
 SHELLS: ZINC PLATED .000200-.000400 THICK, YELLOW CHROMATE COATING.
- 5** OBSOLETE PARTS: OBSOLETE CIS STREAMLINING PER D.RENAUD/D.SINISI



5 OBSOLETE	SMALL PACK	5205207-4
	STANDARD	5205207-1
	PACKAGING TYPE	PART NUMBER

THIS DRAWING IS A CONTROLLED DOCUMENT.		DWN	B. MCMASTER	08SEP05		TE Connectivity		
DIMENSIONS: INCHES		CHK	C. ROHDE	08SEP05		RECEPTACLE CONNECTOR, SIZE 3, 25 POS., AMPLIMITE HDP		
TOLERANCES UNLESS OTHERWISE SPECIFIED:		APVD	M. WALMSLEY	08SEP05		SIZE	CAGE CODE	DRAWING NO
0 PLC ± - 1 PLC ± - 2 PLC ± - 3 PLC ± .005 4 PLC ± - ANGLES ± 2°		PRODUCT SPEC	-			A2	00779	C=5205207
MATERIAL		FINISH	-		WEIGHT	-		
3		4		CUSTOMER DRAWING		SCALE	NTS	
				SHEET		1 of 1		
				REV		P		

5205207