



Chipsmall Limited consists of a professional team with an average of over 10 year of expertise in the distribution of electronic components. Based in Hongkong, we have already established firm and mutual-benefit business relationships with customers from,Europe,America and south Asia,supplying obsolete and hard-to-find components to meet their specific needs.

With the principle of “Quality Parts,Customers Priority,Honest Operation,and Considerate Service”,our business mainly focus on the distribution of electronic components. Line cards we deal with include Microchip,ALPS,ROHM,Xilinx,Pulse,ON,Everlight and Freescale. Main products comprise IC,Modules,Potentiometer,IC Socket,Relay,Connector.Our parts cover such applications as commercial,industrial, and automotives areas.

We are looking forward to setting up business relationship with you and hope to provide you with the best service and solution. Let us make a better world for our industry!



Contact us

Tel: +86-755-8981 8866 Fax: +86-755-8427 6832

Email & Skype: info@chipsmall.com Web: www.chipsmall.com

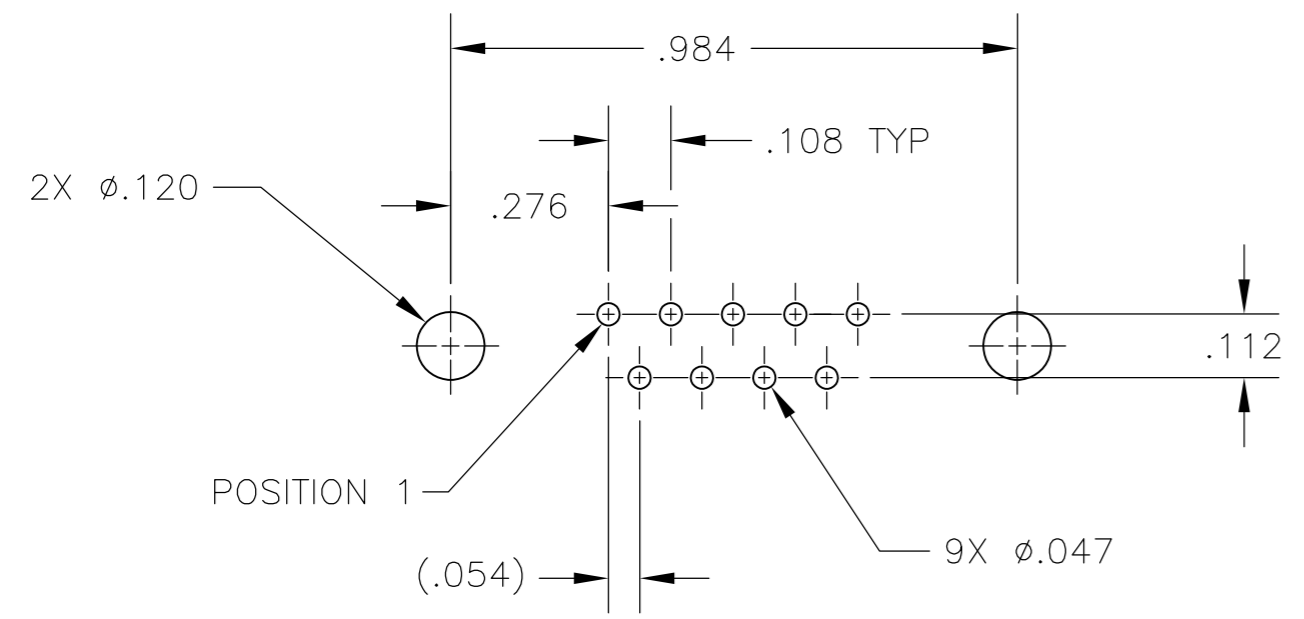
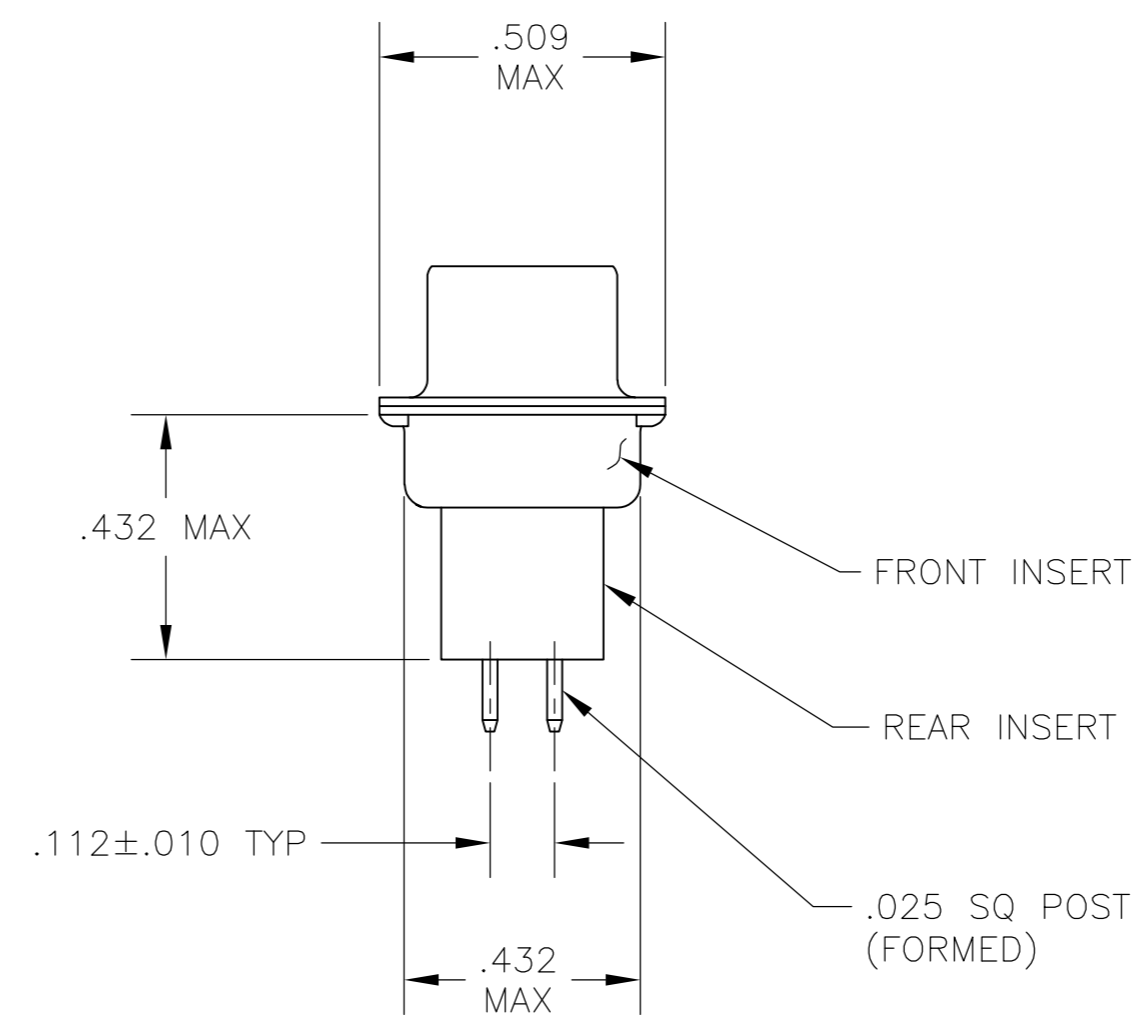
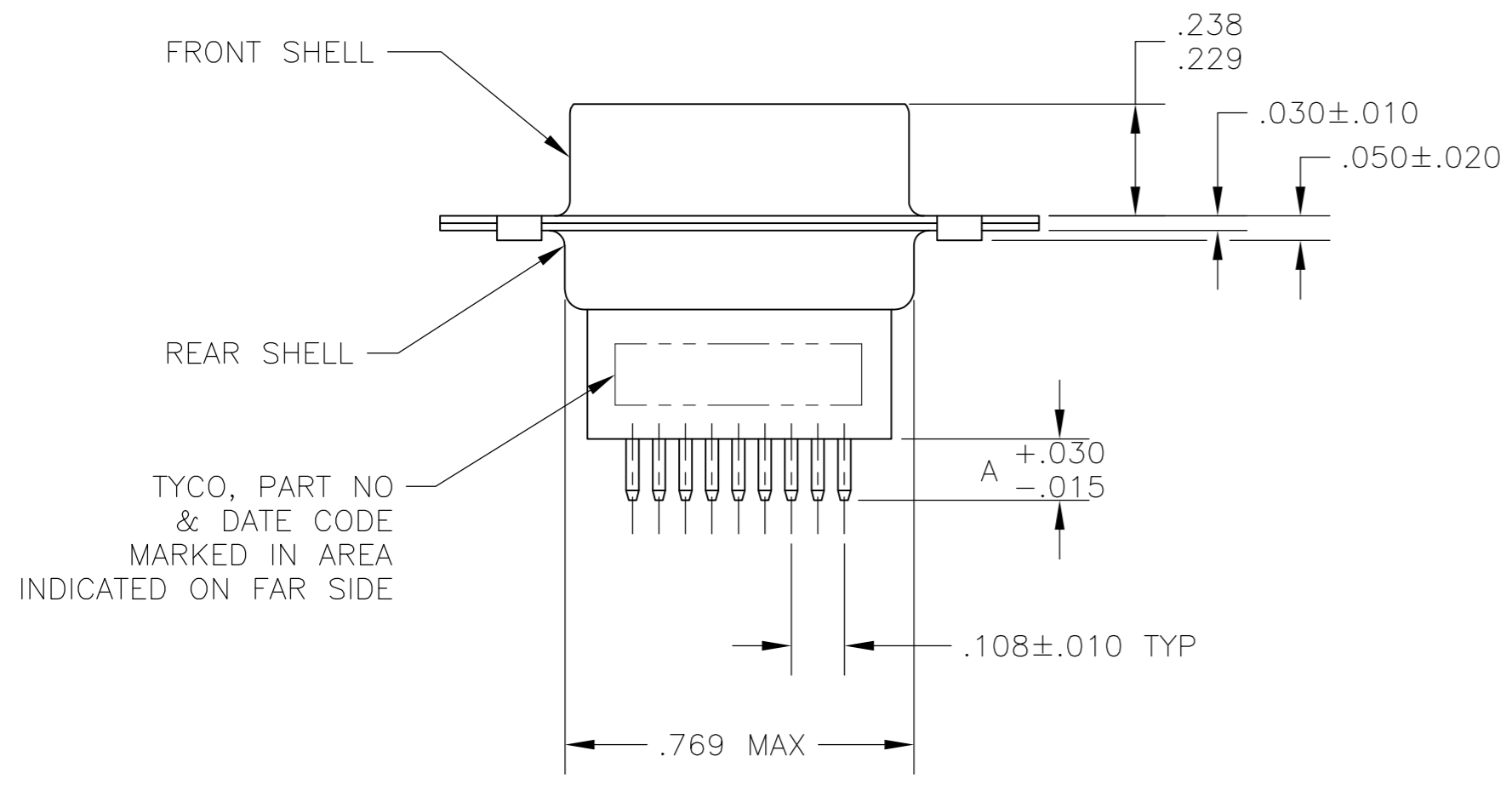
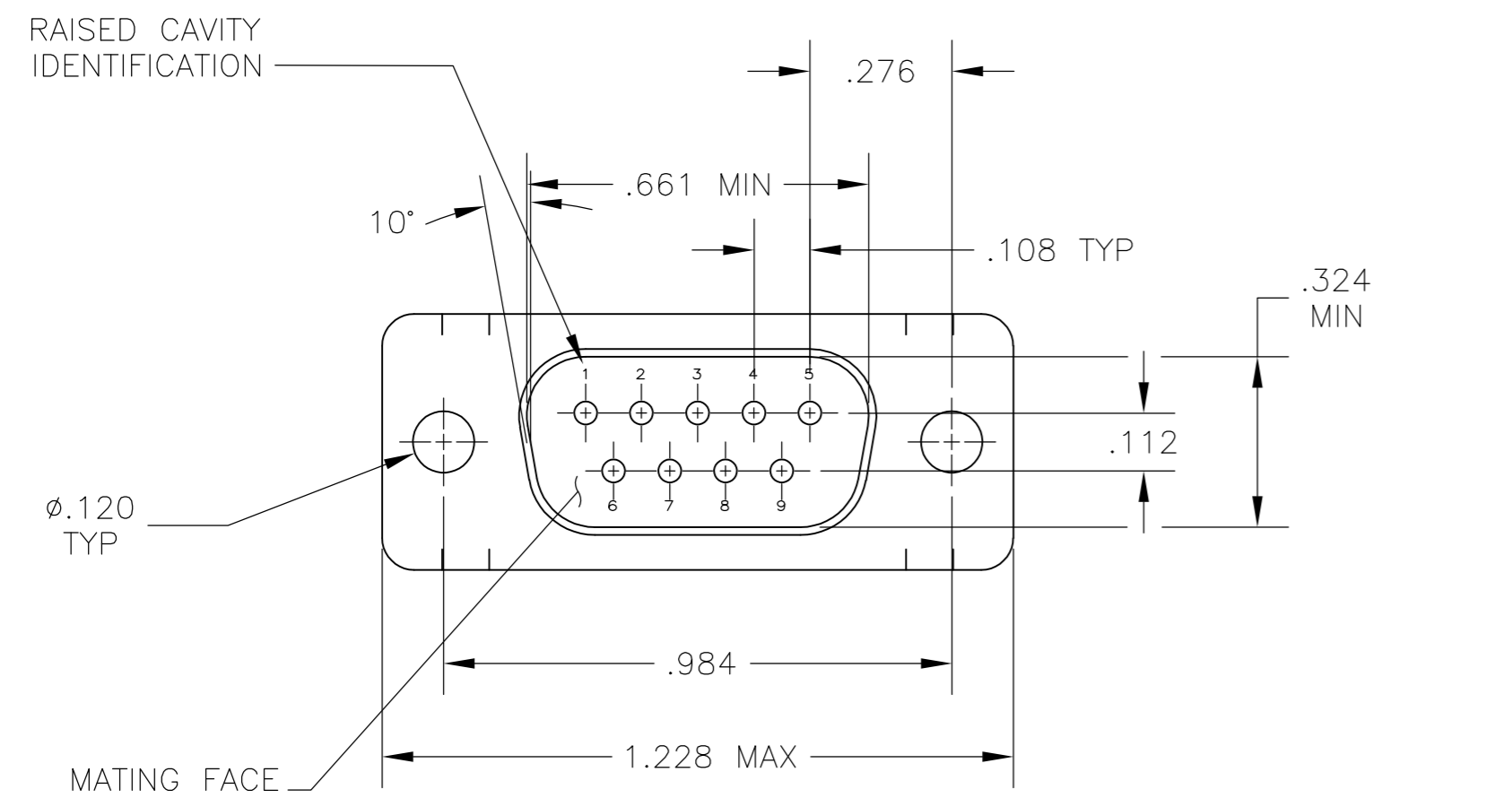
Address: A1208, Overseas Decoration Building, #122 Zhenhua RD., Futian, Shenzhen, China



THIS DRAWING IS UNPUBLISHED. RELEASED FOR PUBLICATION
 © COPYRIGHT 2005 By - ALL RIGHTS RESERVED.

LOC		DIST		REVISIONS			
P	LTR	DESCRIPTION	DATE	DWN	APVD		
GP	00	D	REVISED PER ECO-14-011808	09AUG2014	AP	SB	

- 1 MOLDED PARTS: GLASS-FILLED PBT OR GLASS-FILLED NYLON, UL94V-0 RATED.
 COLOR: BLACK
 SHELLS: CARBON STEEL
 CONTACTS: BRASS
- 2 SHELLS: .000200 MIN ZINC WITH YELLOW CHROMATE COATING.
 CONTACTS: GOLD PLATED FOR LENGTH OF .150 MIN FROM MATING END,
 .000030 MIN GOLD IN MATED AREA,
 .000100 MIN TIN ON SOLDER END, BOTH OVER
 .000050 MIN NICKEL.
 OR
 GOLD FLASH OVER PALLADIUM-NICKEL PLATED FOR LENGTH OF
 .150 MIN FROM MATING END,
 .000030 MIN TOTAL IN MATED AREA,
 .000100 MIN TIN ON SOLDER END, BOTH OVER
 .000050 MIN NICKEL.



PC BOARD MOUNTING DIMENSIONS

.188	5205733-7
.125	5205733-1
A	PART NO

THIS DRAWING IS A CONTROLLED DOCUMENT.		DWN	B. LATTUCA	02SEPT05	 TE Connectivity	NAME		PLUG ASSEMBLY, SIZE 1, 9 POSN, VERTICAL AMPLIMITE HDP		
DIMENSIONS:		CHK	S. BOLASH	02SEPT05		PRODUCT SPEC		108-40025		
INCHES		APVD	M. WALMSLEY	02SEPT05		APPLICATION SPEC		114-40013		
0 PLC ± - 1 PLC ± - 2 PLC ± - 3 PLC ± .005 4 PLC ± - ANGLES ± - FINISH ± -		MATERIAL		WEIGHT		-	SCALE	NTS	SHEET	1 of 1
		CUSTOMER DRAWING		DRAWING NO		A2 00779		C=5205733		
				RESTRICTED TO				REV		D

5205733