



Chipsmall Limited consists of a professional team with an average of over 10 year of expertise in the distribution of electronic components. Based in Hongkong, we have already established firm and mutual-benefit business relationships with customers from,Europe,America and south Asia,supplying obsolete and hard-to-find components to meet their specific needs.

With the principle of "Quality Parts,Customers Priority,Honest Operation,and Considerate Service",our business mainly focus on the distribution of electronic components. Line cards we deal with include Microchip,ALPS,ROHM,Xilinx,Pulse,ON,Everlight and Freescale. Main products comprise IC,Modules,Potentiometer,IC Socket,Relay,Connector.Our parts cover such applications as commercial,industrial, and automotives areas.

We are looking forward to setting up business relationship with you and hope to provide you with the best service and solution. Let us make a better world for our industry!



Contact us

Tel: +86-755-8981 8866 Fax: +86-755-8427 6832

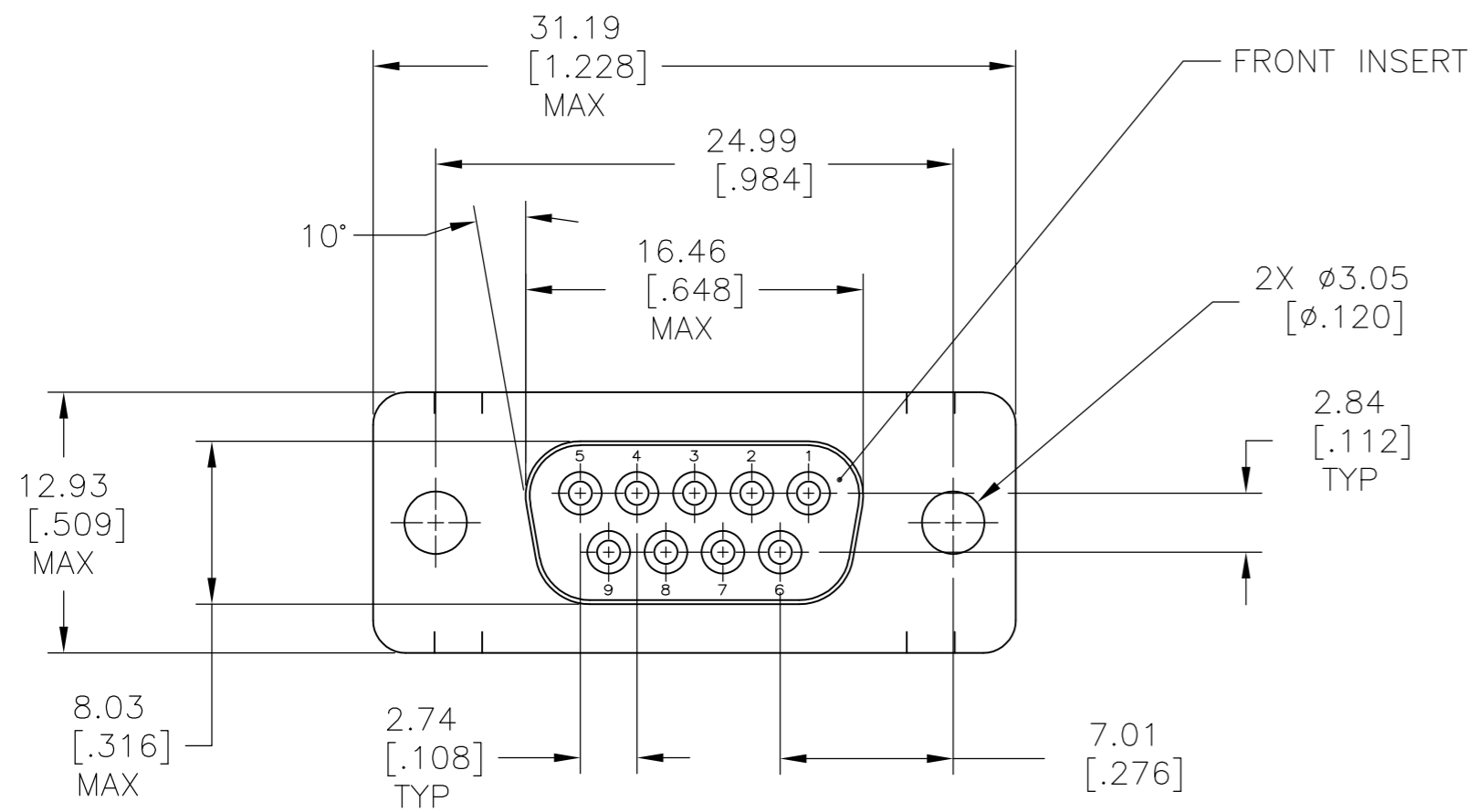
Email & Skype: info@chipsmall.com Web: www.chipsmall.com

Address: A1208, Overseas Decoration Building, #122 Zhenhua RD., Futian, Shenzhen, China

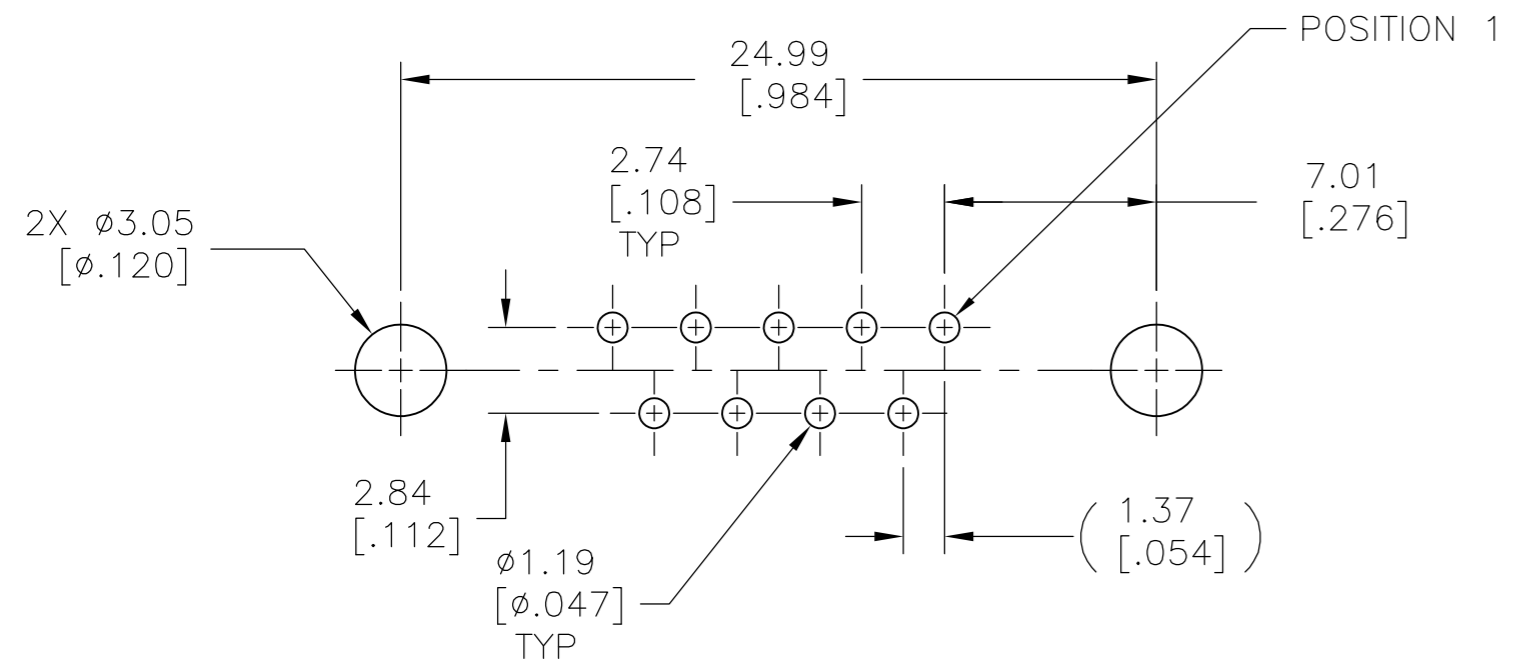
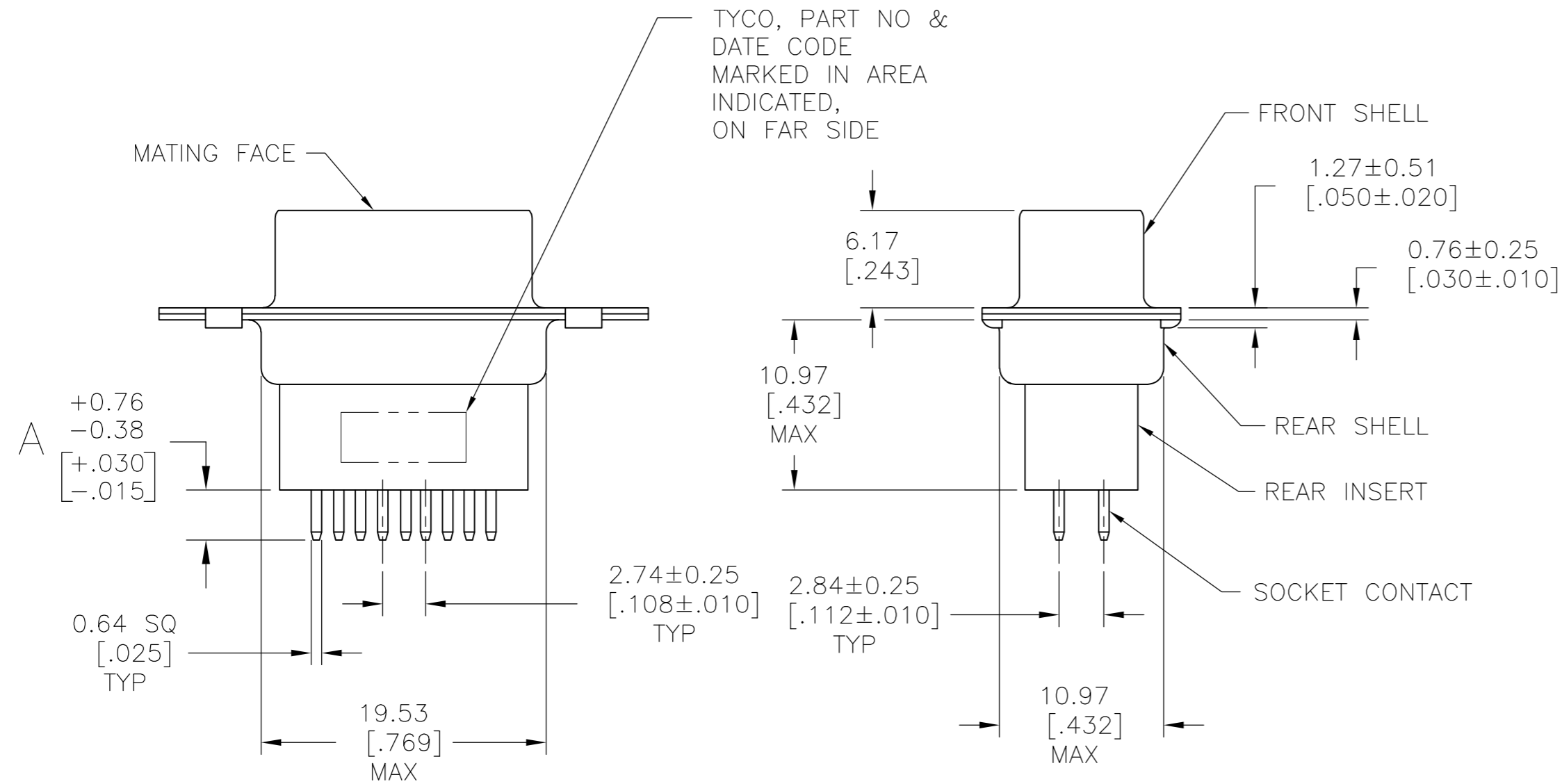


THIS DRAWING IS UNPUBLISHED. RELEASED FOR PUBLICATION
 © COPYRIGHT 2005 By - ALL RIGHTS RESERVED.

LOC		DIST		REVISIONS			
P	LTR	DESCRIPTION		DATE	DWN	APVD	
GP	00	D		REVISED PER ECO-14-011808	09AUG2014	AP	SB



- 1 MOLDED PARTS: GLASS-FILLED PBT OR GLASS-FILLED NYLON, UL94V-0 RATED.
 COLOR: BLACK
 SHELLS: CARBON STEEL.
 CONTACTS: PHOS BRONZE.
- 2 SHELLS: 5.08 μ m [.000200] MIN ZINC WITH YELLOW CHROMATE COATING.
 CONTACTS: GOLD FLASH PLATED FOR LENGTH OF 3.81 [.150] MIN FROM MATING END,
 2.54 μ m [.000100] MIN TIN ON SOLDER END, BOTH OVER
 1.27 μ m [.000050] MIN NICKEL.
- 3 SHELLS: 5.08 μ m [.000200] MIN ZINC WITH YELLOW CHROMATE COATING.
 CONTACTS: GOLD PLATED FOR LENGTH OF 3.81 [.150] MIN FROM MATING END,
 0.76 μ m [.000030] MIN GOLD IN MATED AREA,
 2.54 μ m [.000100] MIN TIN ON SOLDER END, BOTH OVER
 1.27 μ m [.000050] MIN NICKEL.
 OR
 GOLD FLASH OVER PALLADIUM-NICKEL PLATED FOR LENGTH OF
 3.81 [.150] MIN FROM MATING END,
 0.76 μ m [.000030] MIN TOTAL IN MATED AREA,
 2.54 μ m [.000100] MIN TIN ON SOLDER END, BOTH OVER
 1.27 μ m [.000050] MIN NICKEL.



P.C. BOARD MOUNTING DIMENSIONS

3	4.78 [.188]	5205734-7
3	16.54 [.651]	5205734-5
2	10.85 [.427]	5205734-4
3	3.18 [.125]	5205734-1
GOLD FINISH		A
		PART NO

THIS DRAWING IS A CONTROLLED DOCUMENT.		DWN B. LATTUCA 02SEPT05		
DIMENSIONS: mm [INCHES]		CHK S. BOLASH 02SEPT05		
TOLERANCES UNLESS OTHERWISE SPECIFIED:		APVD M. WALMSLEY 02SEPT05	NAME	
0 PLC \pm -	1 PLC \pm -	PRODUCT SPEC	108-40025	
2 PLC \pm -	3 PLC \pm .005	APPLICATION SPEC	114-40013	
4 PLC \pm -	ANGLES \pm -	WEIGHT	-	
MATERIAL 1	FINISH 2 3	SCALE	CUSTOMER DRAWING	
		SIZE A2	CAGE CODE 00779	DRAWING NO C=5205734
		RESTRICTED TO	-	
		SHEET 1 of 1	REV D	