



Chipsmall Limited consists of a professional team with an average of over 10 year of expertise in the distribution of electronic components. Based in Hongkong, we have already established firm and mutual-benefit business relationships with customers from,Europe,America and south Asia,supplying obsolete and hard-to-find components to meet their specific needs.

With the principle of “Quality Parts,Customers Priority,Honest Operation,and Considerate Service”,our business mainly focus on the distribution of electronic components. Line cards we deal with include Microchip,ALPS,ROHM,Xilinx,Pulse,ON,Everlight and Freescale. Main products comprise IC,Modules,Potentiometer,IC Socket,Relay,Connector.Our parts cover such applications as commercial,industrial, and automotives areas.

We are looking forward to setting up business relationship with you and hope to provide you with the best service and solution. Let us make a better world for our industry!



Contact us

Tel: +86-755-8981 8866 Fax: +86-755-8427 6832

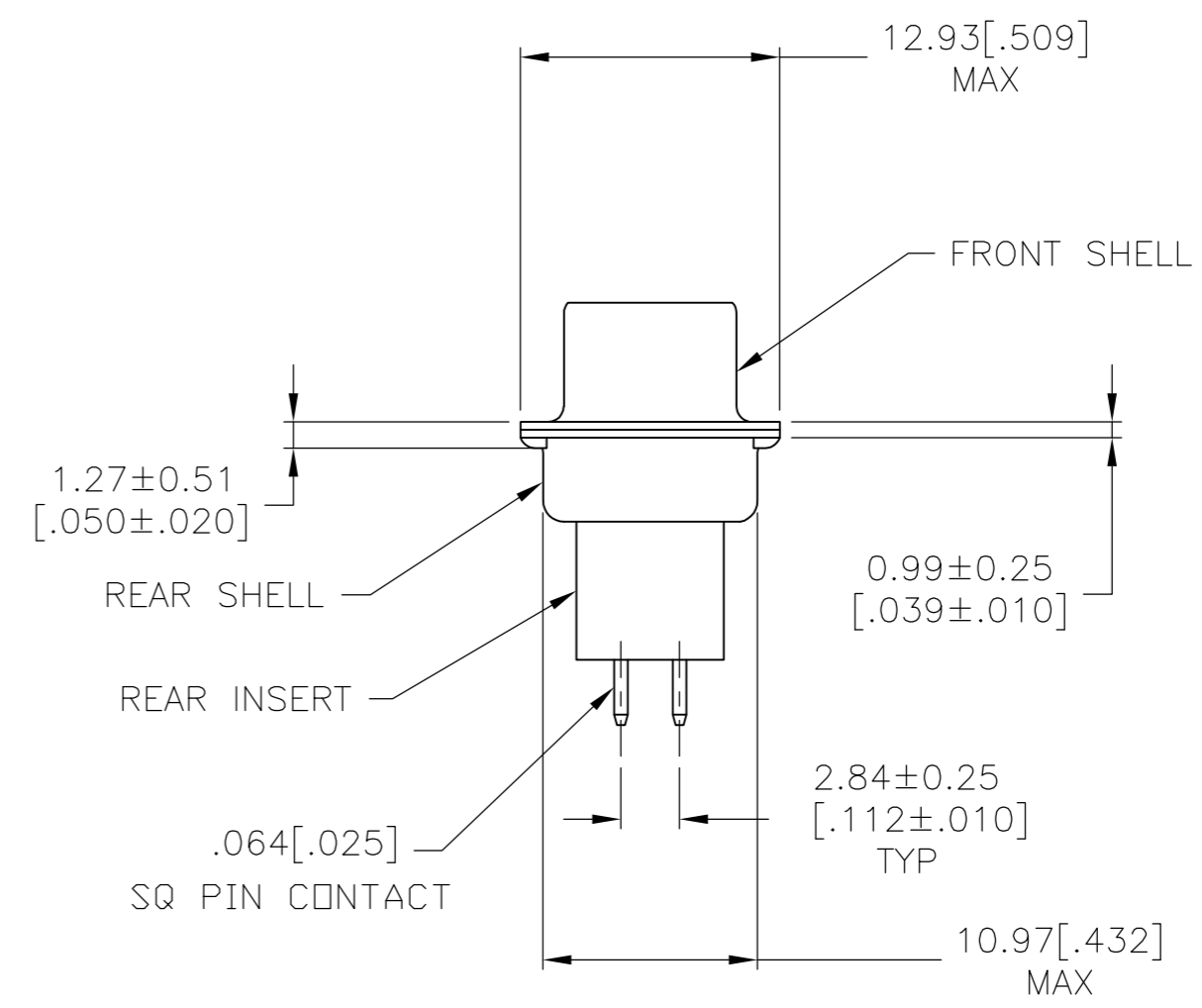
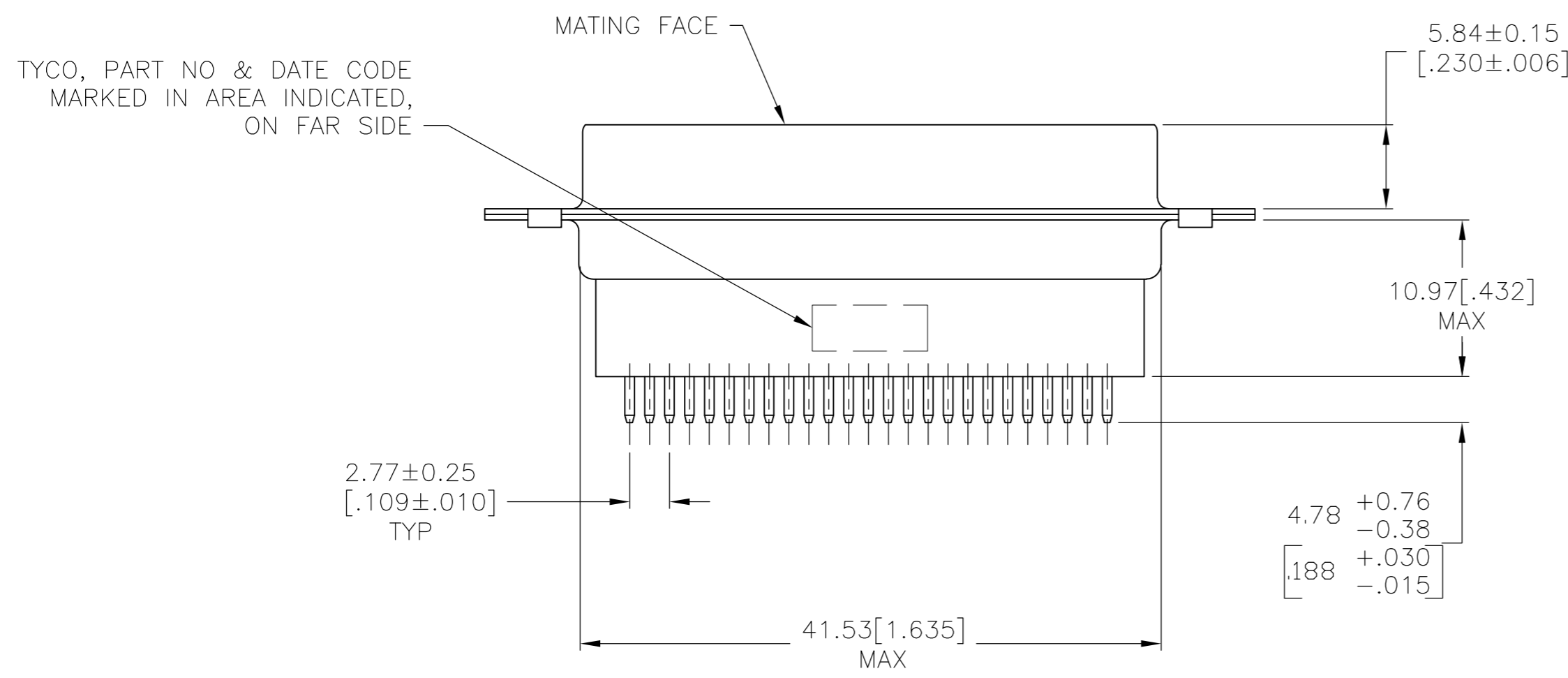
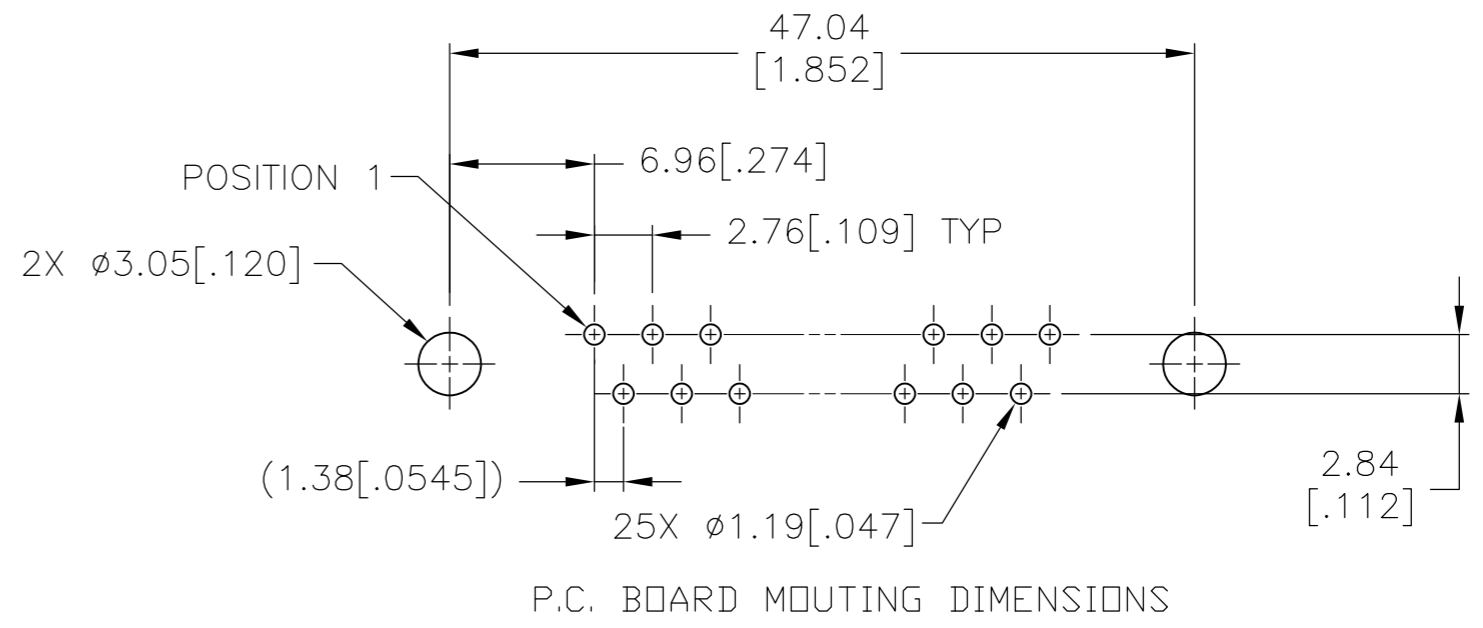
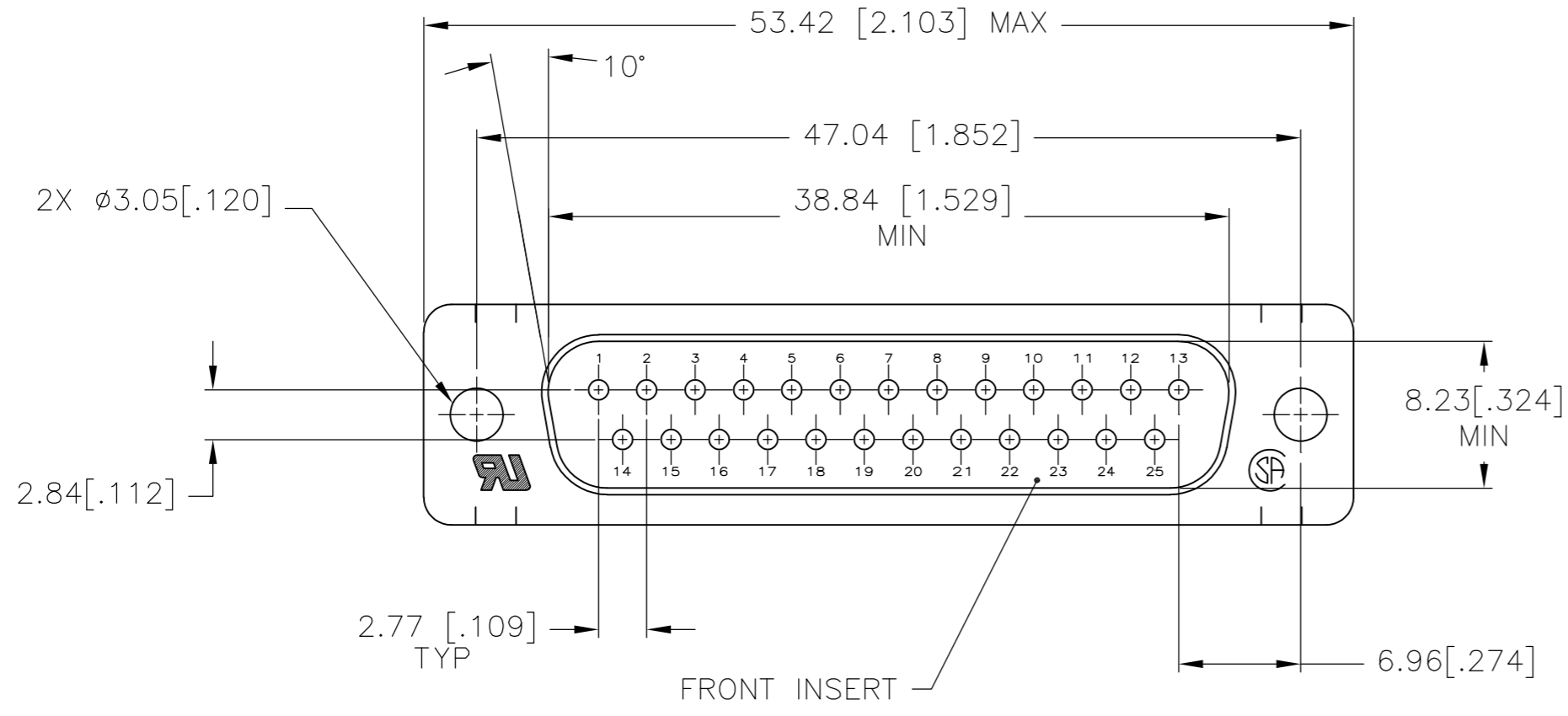
Email & Skype: info@chipsmall.com Web: www.chipsmall.com

Address: A1208, Overseas Decoration Building, #122 Zhenhua RD., Futian, Shenzhen, China



THIS DRAWING IS UNPUBLISHED. RELEASED FOR PUBLICATION
 © COPYRIGHT 2005 By - ALL RIGHTS RESERVED.

LOC		DIST		REVISIONS			
P	LTR	DESCRIPTION	DATE	DWN	APVD		
GP	00						
	D	REVISED PER ECO-14-011808	11AUG2014	AP	SB		



⚠ MOLDED PARTS: GLASS-FILLED PBT OR GLASS-FILLED NYLON, UL94V-0 RATED. COLOR: BLACK.
 SHELLS: CARBON STEEL
 CONTACTS: BRASS

⚠ SHELLS: 5.08µm [.000200] MIN ZINC WITH YELLOW CHROMATE COATING.
 CONTACTS: GOLD PLATED FOR LENGTH OF 3.81 [.150] MIN FROM MATING END,
 0.76µm [.000030] MIN GOLD IN MATED AREA,
 2.54µm [.000100] MIN TIN ON SOLDER END, BOTH OVER
 1.27µm [.000050] MIN NICKEL.
 OR
 GOLD FLASH OVER PALLADIUM-NICKEL PLATED FOR LENGTH OF
 3.81 [.150] MIN FROM MATING END,
 0.76µm [.000030] MIN TOTAL IN MATED AREA,
 2.54µm [.000100] MIN TIN ON SOLDER END, BOTH OVER
 1.27µm [.000050] MIN NICKEL.

5205737-7
 PART NUMBER

THIS DRAWING IS A CONTROLLED DOCUMENT.		DWN B. LATTUCA 09NOV2005	TE Connectivity	
DIMENSIONS: mm [INCHES]		CHK S. BOLASH 14NOV2005		
TOLERANCES UNLESS OTHERWISE SPECIFIED:		APVD M. WALMSLEY 14NOV2005	NAME PLUG ASSY, SIZE 3, 25 POS, VERTICAL, AMPLIMITE HDP	
0 PLC ± - 1 PLC ± - 2 PLC ± - 3 PLC ± - 4 PLC ± - ANGLES ± - FINISH		PRODUCT SPEC 108-40025	SIZE A2	CAGE CODE 00779
MATERIAL 1	FINISH 2	APPLICATION SPEC 114-40013	DRAWING NO C=5205737	RESTRICTED TO -
CUSTOMER DRAWING			SCALE NTS	SHEET 1 of 1