



Chipsmall Limited consists of a professional team with an average of over 10 year of expertise in the distribution of electronic components. Based in Hongkong, we have already established firm and mutual-benefit business relationships with customers from,Europe,America and south Asia,supplying obsolete and hard-to-find components to meet their specific needs.

With the principle of “Quality Parts,Customers Priority,Honest Operation,and Considerate Service”,our business mainly focus on the distribution of electronic components. Line cards we deal with include Microchip,ALPS,ROHM,Xilinx,Pulse,ON,Everlight and Freescale. Main products comprise IC,Modules,Potentiometer,IC Socket,Relay,Connector.Our parts cover such applications as commercial,industrial, and automotives areas.

We are looking forward to setting up business relationship with you and hope to provide you with the best service and solution. Let us make a better world for our industry!



Contact us

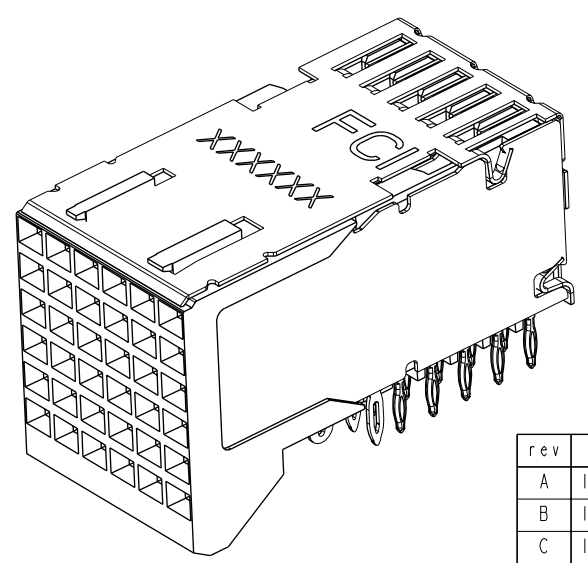
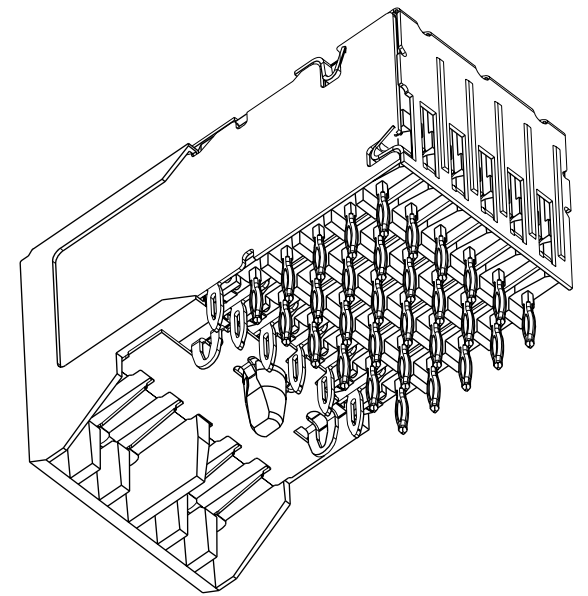
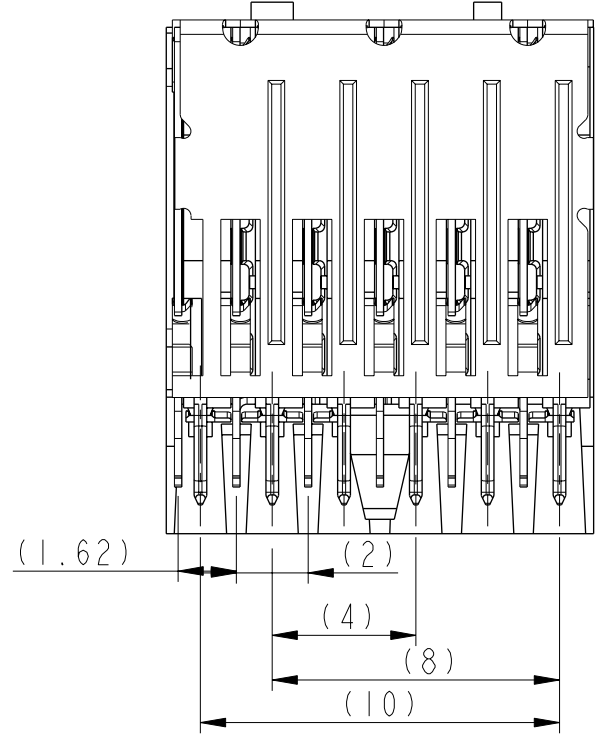
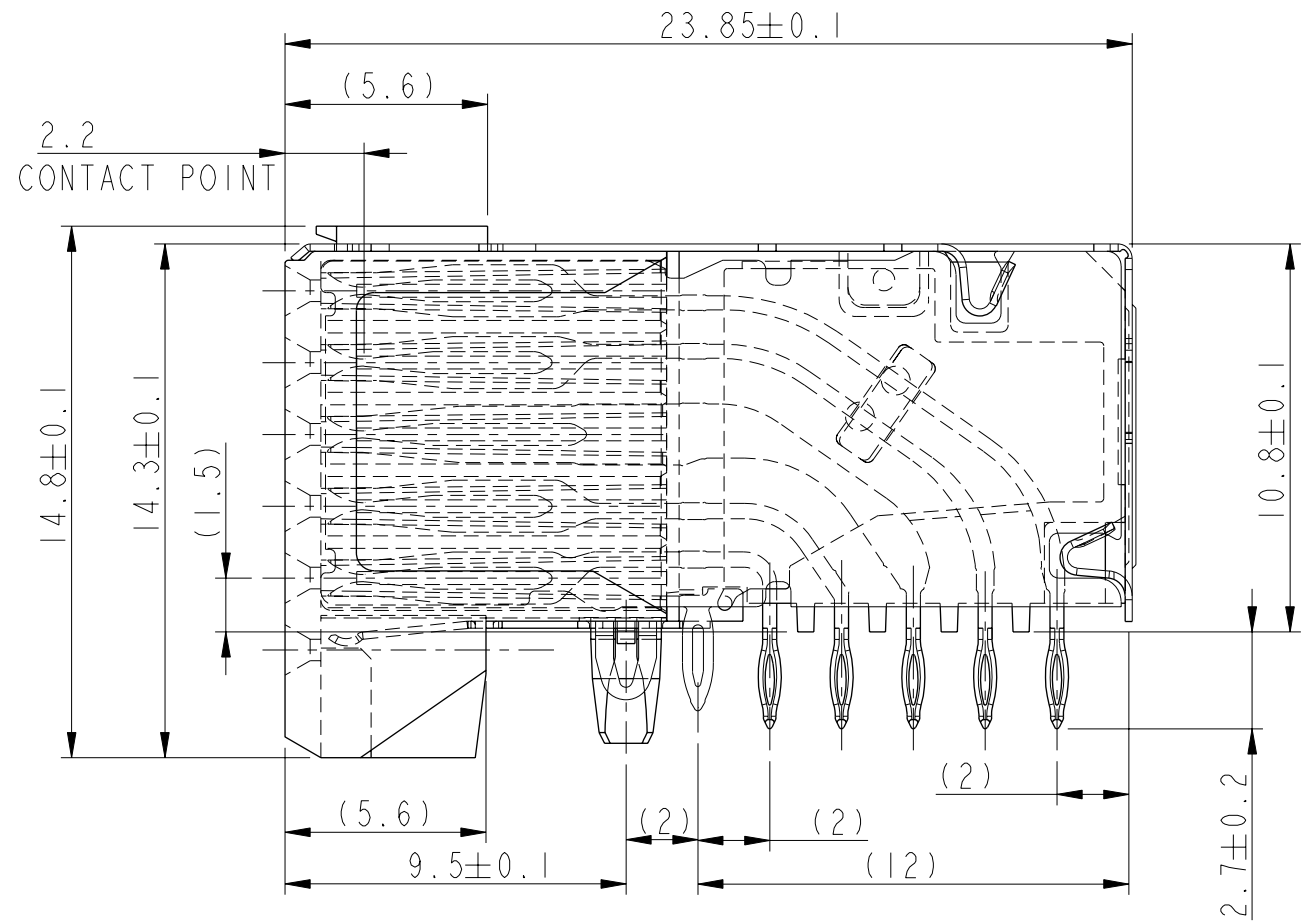
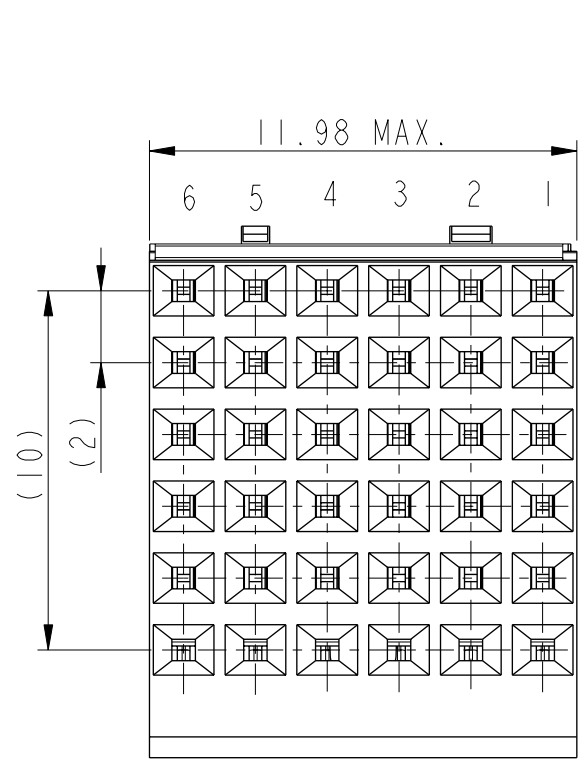
Tel: +86-755-8981 8866 Fax: +86-755-8427 6832

Email & Skype: info@chipsmall.com Web: www.chipsmall.com

Address: A1208, Overseas Decoration Building, #122 Zhenhua RD., Futian, Shenzhen, China



Product Number	Plating Performance Level	Application
52062-102	TELCORDIA CO	STANDARD
52062-102LF	TELCORDIA CO	LEAD FREE
52062-302	CUSTOMER SPECIAL	STANDARD
52062-302LF	CUSTOMER SPECIAL	LEAD FREE

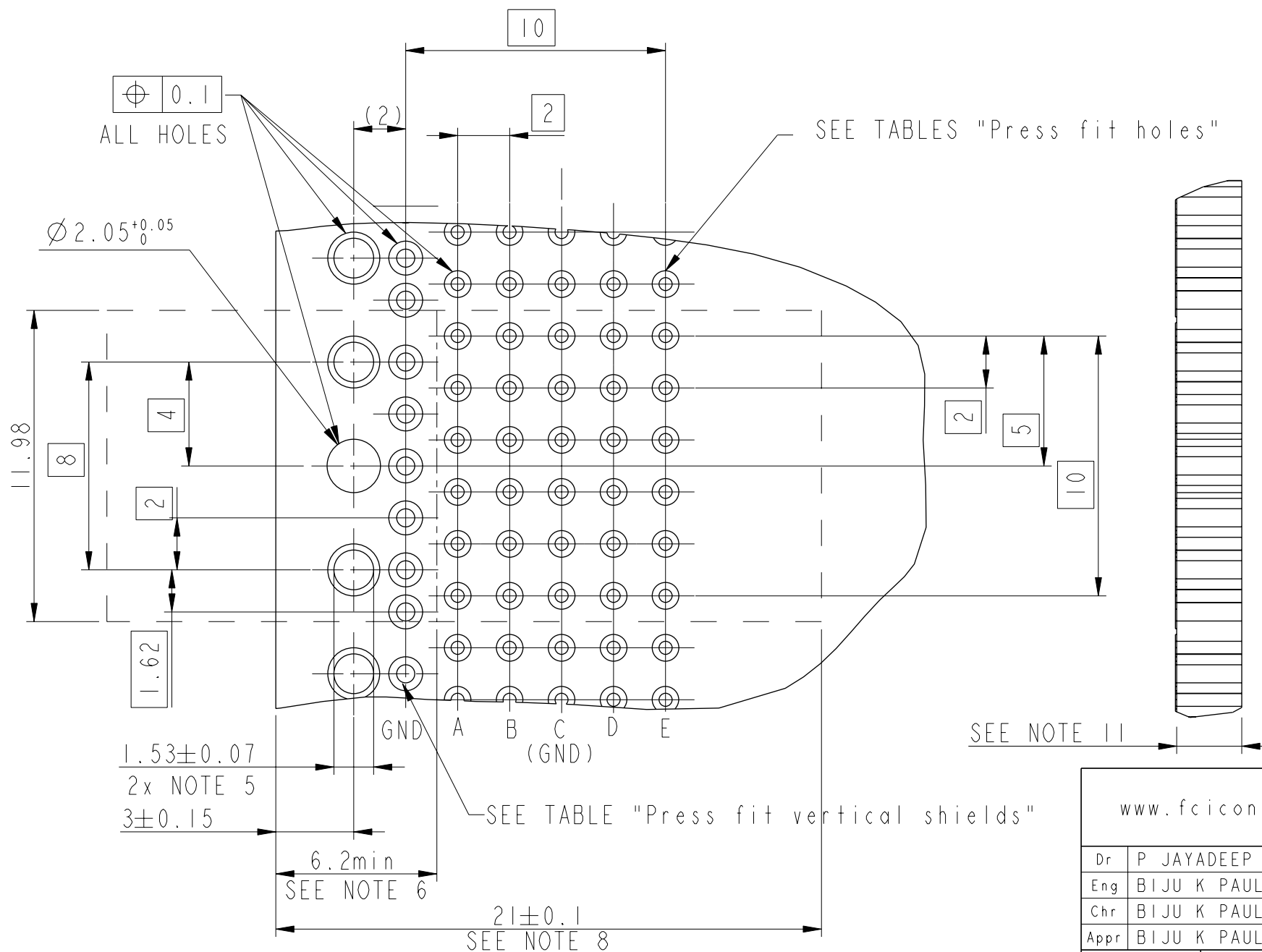


rev	ecn no	dr	date
A	103-0062	BKP	2003-10-30
B	104-0008	BKP	2004-02-06
C	105-0164	AB	2005-09-19
D	106-0107	AB	2006-07-18
E	V07-0437	AB	2007-08-10
-	-	-	-
-	-	-	-

www.fciconnect.com		surface - ✓ ISO 1302	tolerance std ISO 1101 ISO 406	projection MM
TOLERANCES UNLESS OTHERWISE SPECIFIED				Scale 5:1
Dr	P JAYADEEP	2003-10-30	ANGULAR	size A3
Eng	BIJU K PAUL	2003-10-30	LINEAR	ECN
Chr	BIJU K PAUL	2003-10-30	0° ±2°	Spec ref
Appr	BIJU K PAUL	2003-10-30	Product family	METRAL 4000
FCI		title 5x6 Receptacle		Rev. E
		Signal Assembly		52062C
		catalog no	52062-X02--	CUSTOMER COPY sheet 1 of 3

Copyright FCI.

	Signal PTH Details			Vertical Shield PTH Details	
	SnPb Finish	Sn Finish	Cu Finish	SnPb Finish	Sn Finish
Drilled Hole	0.58 - 0.62 mm	0.58 - 0.62 mm	0.58 - 0.62 mm	0.81 - 0.86 mm	0.81 - 0.86 mm
Copper Plating	25 - 50 μ m	25 - 50 μ m	25 - 50 μ m	25 μ m MIN	25 μ m MIN
SnPb Plating	5 - 15 μ m	-----	-----	5 - 15 μ m	-----
Sn Plating	-----	0.8 - 1.2 μ m	-----	-----	0.8 - 1.2 μ m
Finished Hole Dia	0.45 - 0.55 mm	0.46 - 0.55 mm	0.48 - 0.57 mm	0.65 - 0.80 mm	0.65 - 0.80 mm



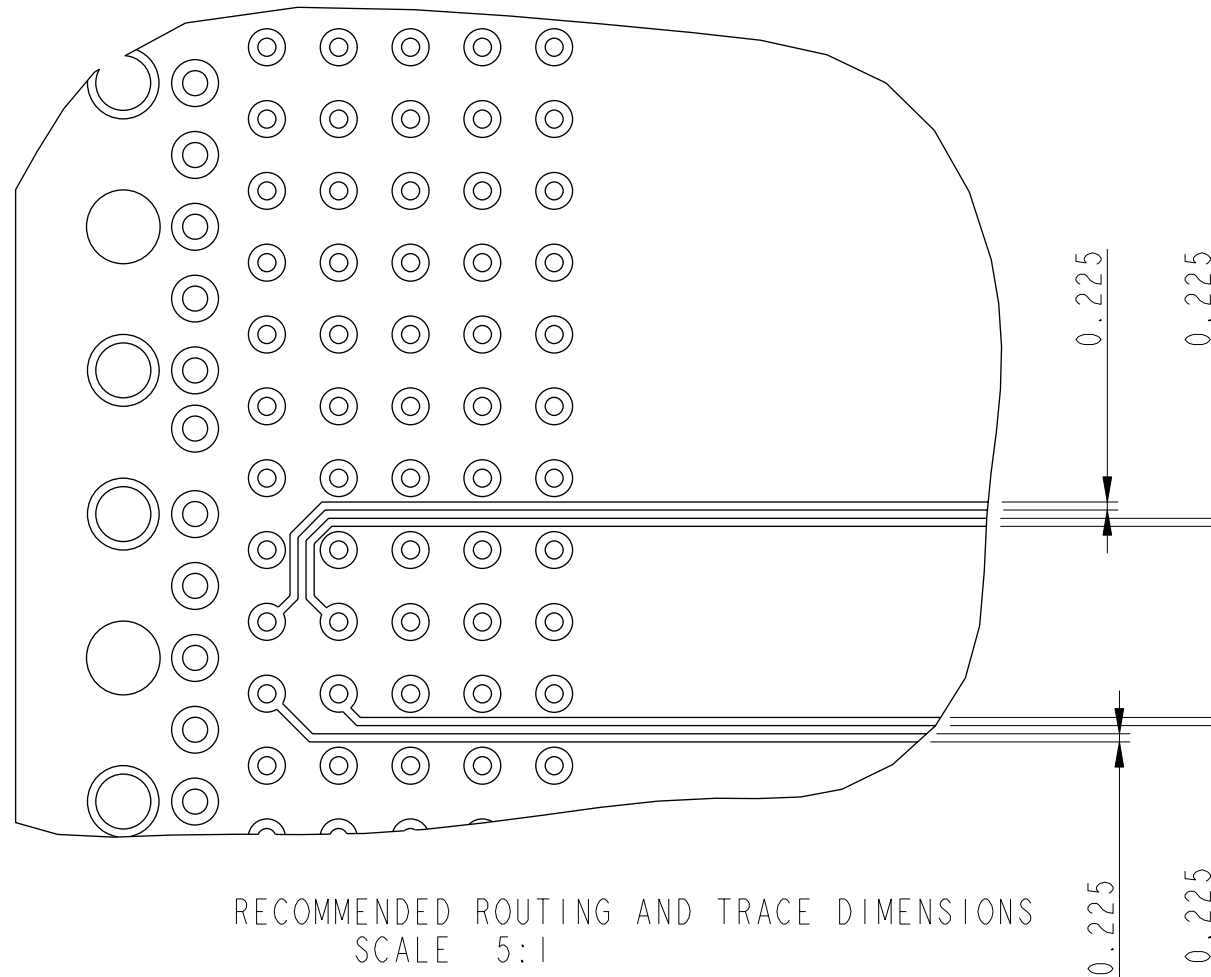
RECOMMENDED PCB HOLE
PATTERN - COMPONENT SIDE

www.fciconnect.com			surface - <input checked="" type="checkbox"/> ISO 1302	tolerance std - <input checked="" type="checkbox"/> ISO 1101 ISO 406	projection	MM
			TOLERANCES UNLESS OTHERWISE SPECIFIED			
Dr	P JAYADEEP	2003-10-30	ANGULAR	LINEAR	0.X	±0.3
Eng	BIJU K PAUL	2003-10-30			0.XX	±0.1
Chr	BIJU K PAUL	2003-10-30			0.XXX	±0.05
Appr	BIJU K PAUL	2003-10-30	Product family METRAL 4000		size A3	Scale 5:1
			Spec ref		ECN	-
			title 5x6 Receptacle		dwg no 52062C	Rev. E
			Signal Assembly			
catalog no			52062-X02--		CUSTOMER COPY	sheet 2 of 3



Copyright FCI.

Product Number
See Sheet No. 1



RECOMMENDED ROUTING AND TRACE DIMENSIONS
SCALE 5:1

NOTES:

1. BODY MATERIAL: LIQUID CRYSTAL POLYMER
30% GLASS FILLED
FLAME RETARDANT ACC. UL 94-V0
2. METAL PARTS: COPPER ALLOY
3. PLATING ON PRESS FIT AREA
52062-X02 IS SnPb.
52062-X02LF IS Sn
4. INDICATED HOLE IS UNPLATED.
5. 1.53 mm DIA HOLES (2) AT 8.00 CENTERS
ARE FOR GROUND
6. AVOID TRACES ON TOP OF BOARD DUE TO
EXPOSED GROUND SHIELD.
7. UNDERPLATING FOR SHIELDS AND SIGNAL
CONTACTS IS 1.3µm Ni MINIMUM.
8. COMPONENT KEEP OUT ZONE FOR PRESS BLOCK.
9. PRODUCT MARKING: DATE AND LOT CODE.
10. SEE GS-20-017 FOR APPLICATION TO PCB.
11. PCB THICKNESS 2.5 TO 3.4 mm
12. SEE PRODUCT SPECIFICATION GS-12-184 FOR
PRODUCT PERFORMANCE CHARACTERISTICS.
13. FOR LEAD FREE PART NUMBERS ADD "LF" SUFFIX
14. THE PRODUCT (LF) MEETS EUROPEAN UNION
DIRECTIVES AND OTHER COUNTRY REGULATIONS
AS DESCRIBED IN GS-22-008



Copyright FCI.

www.fciconnect.com			surface - ✓ ISO 1302	tolerance std ISO 1101 ISO 406	projection ⊕	MM ↔			
			TOLERANCES UNLESS OTHERWISE SPECIFIED						
Dr	P JAYADEEP	2003-10-30	ANGULAR 0° ±2°	LINEAR	0.X	±0.3	size A3	Scale 5:1	
Eng	BIJU K PAUL	2003-10-30			0.XX	±0.1			
Chr	BIJU K PAUL	2003-10-30			0.XXX	±0.05	ECN	-	
Appr	BIJU K PAUL	2003-10-30	Product family		METRAL 4000	Spec ref	-		
FCI		title			5x6 Receptacle		dwg no	52062C	Rev.
					Signal Assembly				E
		catalog no			52062-X02--	CUSTOMER COPY	sheet 3 of 3		