



Chipsmall Limited consists of a professional team with an average of over 10 year of expertise in the distribution of electronic components. Based in Hongkong, we have already established firm and mutual-benefit business relationships with customers from,Europe,America and south Asia,supplying obsolete and hard-to-find components to meet their specific needs.

With the principle of “Quality Parts,Customers Priority,Honest Operation,and Considerate Service”,our business mainly focus on the distribution of electronic components. Line cards we deal with include Microchip,ALPS,ROHM,Xilinx,Pulse,ON,Everlight and Freescale. Main products comprise IC,Modules,Potentiometer,IC Socket,Relay,Connector.Our parts cover such applications as commercial,industrial, and automotives areas.

We are looking forward to setting up business relationship with you and hope to provide you with the best service and solution. Let us make a better world for our industry!



Contact us

Tel: +86-755-8981 8866 Fax: +86-755-8427 6832

Email & Skype: info@chipsmall.com Web: www.chipsmall.com

Address: A1208, Overseas Decoration Building, #122 Zhenhua RD., Futian, Shenzhen, China

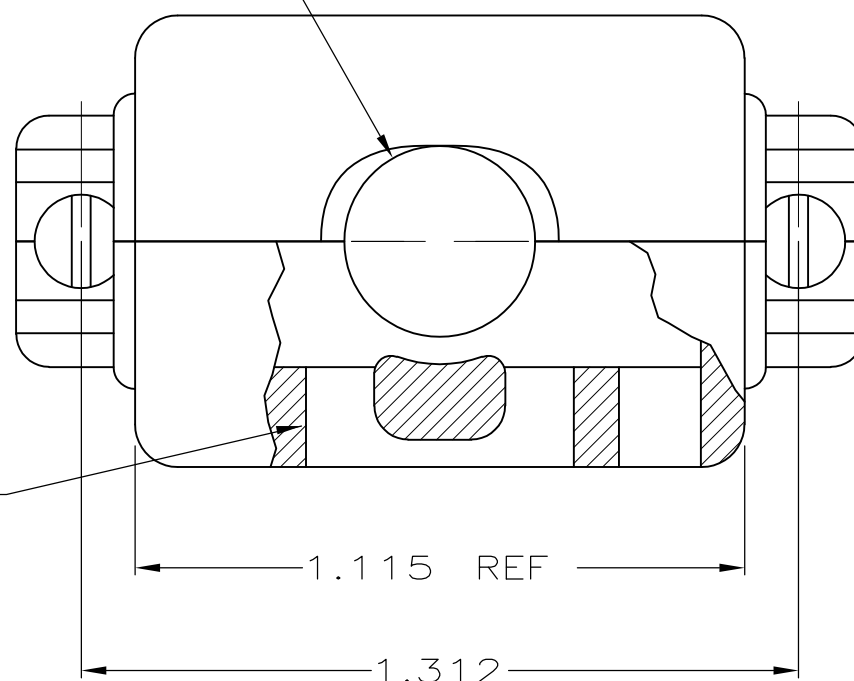


THIS DRAWING IS UNPUBLISHED. RELEASED FOR PUBLICATION
 © COPYRIGHT 2006 By - ALL RIGHTS RESERVED.

LOC	DIST	REVISIONS					
GP	00	P	LTR	DESCRIPTION	DATE	DWN	APVD
		P		REVISED PER ECO-11-004835	11MAR11	RK	HMR

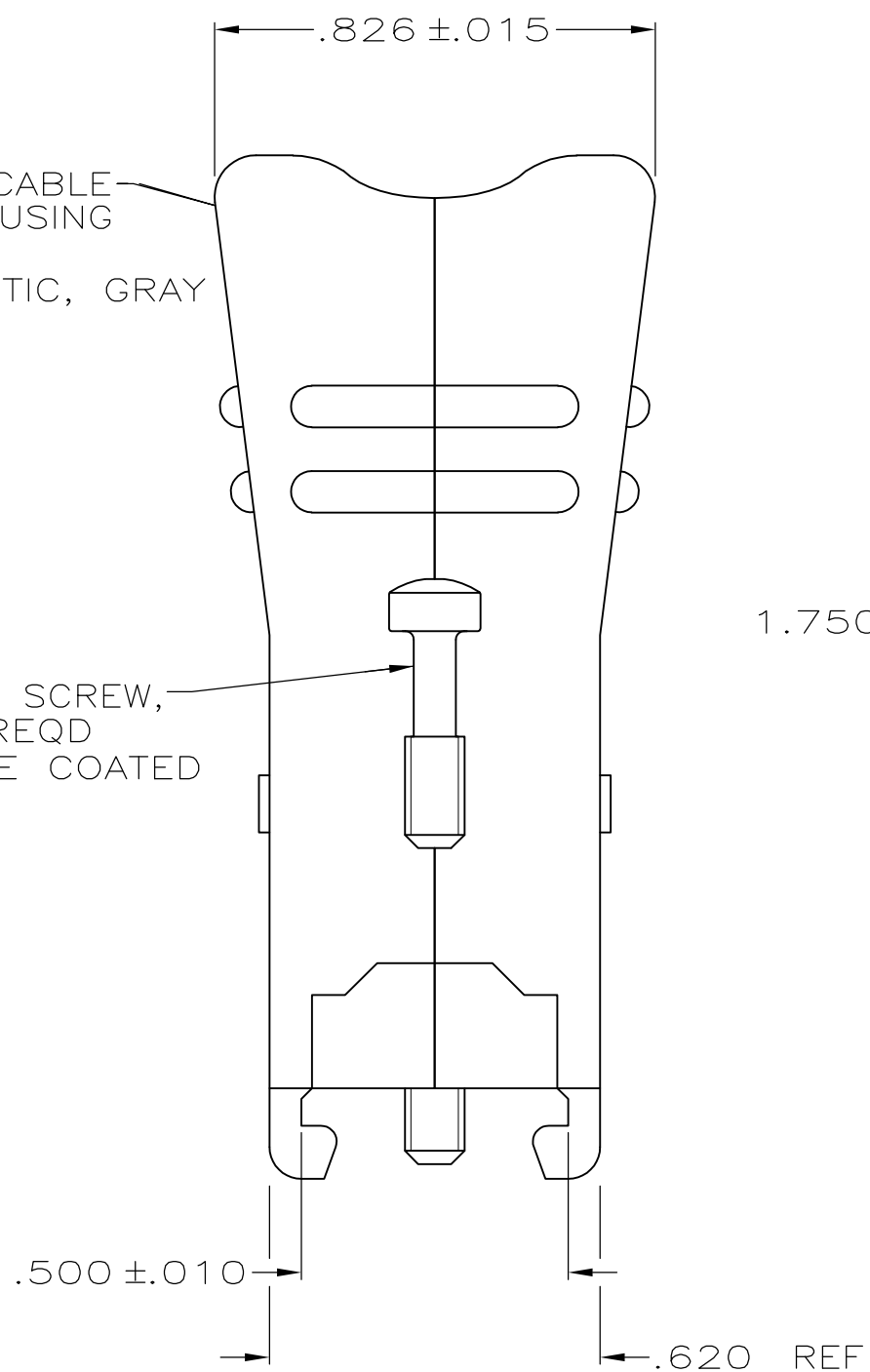
.350 DIA MAX
CABLE OPENING

INTERNAL CABLE
TIE OPENINGS.



TWO PIECE CABLE
SUPPORT HOUSING
MATERIAL:
THERMOPLASTIC, GRAY

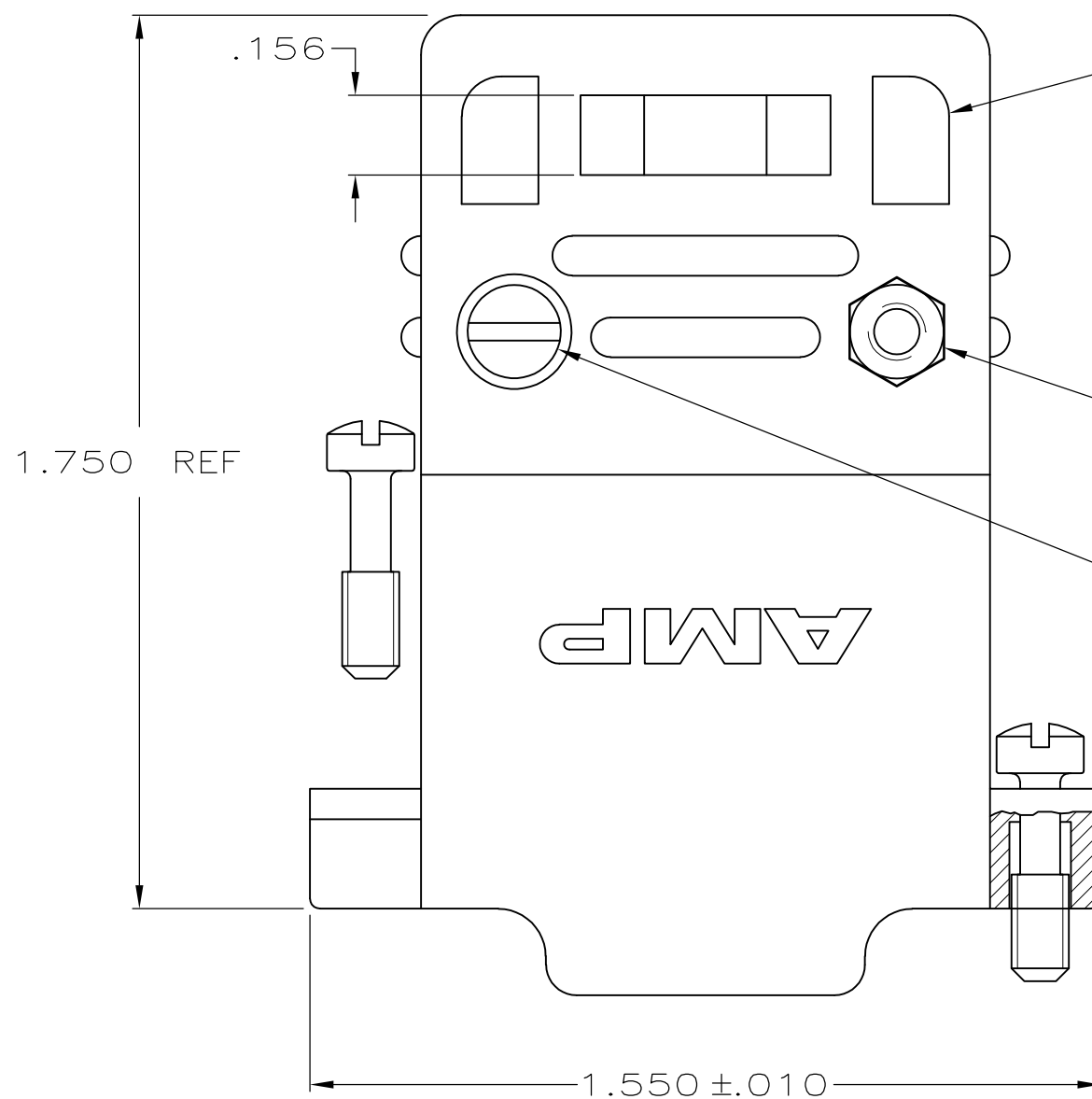
#4-40 CRS SCREW,
ZINC PLATED, 2 REQD
YELLOW CHROMATE COATED



EXTERNAL CABLE
TIE OPENINGS.

#4-40 HEX NUT STEEL
ZINC PLATED, 2 REQD
CLEAR CHROMATE COATED

#4-40 CRS SCREW,
ZINC PLATED, 2 REQD
CLEAR CHROMATE COATING



5206471-1

PART
NUMBER

1. THIS PART WILL FIT ANY STANDARD SIZE 2 PLUG OR
RECEPTACLE IN THE AMPLIMITE SERIES.

2. ALL PARTS ARE PACKAGED UNASSEMBLED.

THIS DRAWING IS A CONTROLLED DOCUMENT.		DWN	31AUG05		TE Connectivity																		
DIMENSIONS: INCHES		CHK	31AUG05		NAME																		
TOLERANCES UNLESS OTHERWISE SPECIFIED:		APVD	31AUG05		CABLE CLAMP ASSEMBLY, SIZE 2, 15 POSITION, AMPLIMITE HD-20																		
<table border="0"> <tr><td>0 PLC</td><td>±</td><td>-</td></tr> <tr><td>1 PLC</td><td>±</td><td>-</td></tr> <tr><td>2 PLC</td><td>±</td><td>-</td></tr> <tr><td>3 PLC</td><td>±</td><td>.005</td></tr> <tr><td>4 PLC</td><td>±</td><td>-</td></tr> <tr><td>ANGLES</td><td>±</td><td>-</td></tr> </table>		0 PLC	±		-	1 PLC	±	-	2 PLC	±	-	3 PLC	±	.005	4 PLC	±	-	ANGLES	±	-	PRODUCT SPEC		RESTRICTED TO
0 PLC	±	-																					
1 PLC	±	-																					
2 PLC	±	-																					
3 PLC	±	.005																					
4 PLC	±	-																					
ANGLES	±	-																					
MATERIAL		FINISH		SIZE	CAGE CODE	DRAWING NO																	
SEE CALLOUTS		SEE CALLOUTS		WEIGHT	A2 00779	C=5206471																	
CUSTOMER DRAWING				SCALE	SHEET	REV																	
				4:1	1 of 1	P																	