



Chipsmall Limited consists of a professional team with an average of over 10 year of expertise in the distribution of electronic components. Based in Hongkong, we have already established firm and mutual-benefit business relationships with customers from,Europe,America and south Asia,supplying obsolete and hard-to-find components to meet their specific needs.

With the principle of “Quality Parts,Customers Priority,Honest Operation,and Considerate Service”,our business mainly focus on the distribution of electronic components. Line cards we deal with include Microchip,ALPS,ROHM,Xilinx,Pulse,ON,Everlight and Freescale. Main products comprise IC,Modules,Potentiometer,IC Socket,Relay,Connector.Our parts cover such applications as commercial,industrial, and automotives areas.

We are looking forward to setting up business relationship with you and hope to provide you with the best service and solution. Let us make a better world for our industry!



Contact us

Tel: +86-755-8981 8866 Fax: +86-755-8427 6832

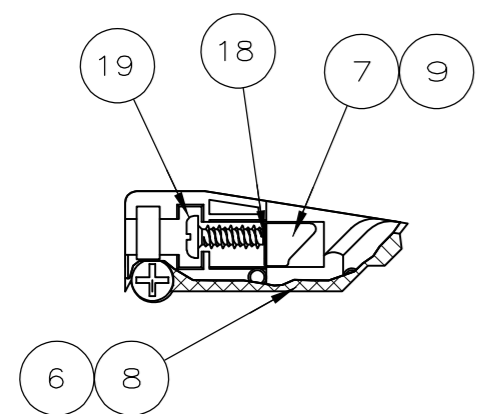
Email & Skype: info@chipsmall.com Web: www.chipsmall.com

Address: A1208, Overseas Decoration Building, #122 Zhenhua RD., Futian, Shenzhen, China

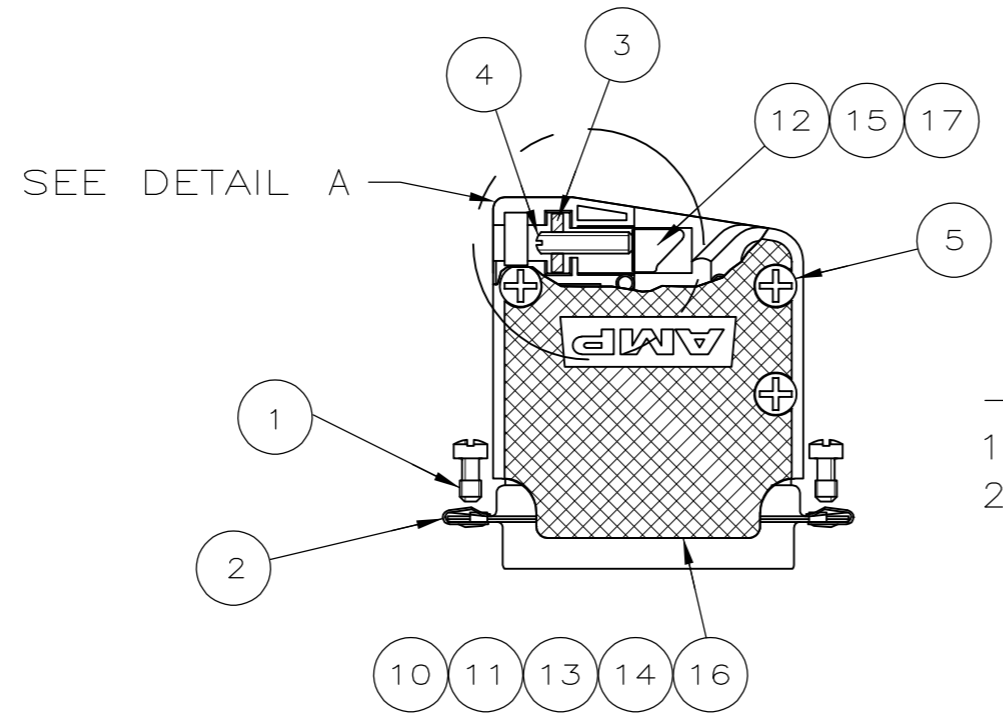


THIS DRAWING IS UNPUBLISHED. RELEASED FOR PUBLICATION
 © COPYRIGHT 2006 By - ALL RIGHTS RESERVED.

LOC	DIST	REVISIONS					
GP	00	P	LTR	DESCRIPTION	DATE	DWN	APVD
		A1		REVISED PER ECO-11-004835	11MAR11	RK	HMR



DETAIL A
FOR -1 & 2 ONLY



-3, -4, -5,
1--1, 1--2,
2--2 & 2--6

- 1 PARTS PACKAGED UNASSEMBLED.
- ② STAINLESS STEEL.
- ③ ZINC PLATED YELLOW CHROMATE COATING.
- ④ STEEL.
- ⑤ ZINC PLATED CLEAR CHROMATE COATING.
- ⑥ BRASS.
- ⑦ BLACK ZINC PHOSPHATE.
- ⑧ OBSOLETE.

								CONTENTS BULK PACKAGED BY ITEM			
								CONTENTS PACKAGED ONE KIT PER POLY BAG			
-	-	-	-	-	-	1	1	GATE SCREW	④ ⑦	19	
-	-	-	-	-	-	1	1	SHIM	⑥	18	
-	-	-	1	-	-	-	-	SIZE 5 GATE		17	
-	-	-	1	-	-	-	-	SIZE 5 HOUSING		16	
-	-	-	-	1	-	-	-	SIZE 4 GATE		15	
-	-	-	-	1	-	-	-	SIZE 4 HOUSING		14	
1	-	1	-	-	-	-	-	SIZE 3 SHORT HOUSING		13	
1	1	1	-	-	1	-	-	SIZE 3 GATE		12	
-	1	-	-	-	1	-	-	SIZE 3 HOUSING		11	
-	-	-	1	-	-	-	-	SIZE 2 SHORT HOUSING		10	
-	-	-	1	-	-	1	-	SIZE 2 GATE		9	
-	-	-	-	-	-	1	-	SIZE 2 HOUSING		8	
-	-	-	-	-	-	-	1	SIZE 1 GATE		7	
-	-	-	-	-	-	-	1	SIZE 1 HOUSING		6	
2	3	2	3	3	3	2	1	PH HD #5-21 HI-LO SCREW	④ ⑤	5	
1	1	1	-	1	1	-	-	SLOTTED SET SCREW	④ ⑤	4	
1	1	1	-	1	1	-	-	SQUARE NUT	④	3	
2	2	2	2	2	2	2	2	CLIP	②	2	
2	2	2	2	2	2	2	2	RETAINING SCREW	③ ④	1	
2-6	2-2	1-2	1-1	-5	-4	-3	-2	-1	DESCRIPTION		ITEM NO

THIS DRAWING IS A CONTROLLED DOCUMENT.		DWN R.RICHARDSON 12SEPT05														
DIMENSIONS: INCHES		CHK C.ROHDE 12SEPT05														
TOLERANCES UNLESS OTHERWISE SPECIFIED:		APVD M.WALMSLEY 12SEPT05	NAME													
<table border="1"> <tr><td>0 PLC</td><td>± -</td></tr> <tr><td>1 PLC</td><td>± -</td></tr> <tr><td>2 PLC</td><td>± -</td></tr> <tr><td>3 PLC</td><td>± -</td></tr> <tr><td>4 PLC</td><td>± -</td></tr> <tr><td>ANGLES</td><td>± -</td></tr> </table>		0 PLC	± -	1 PLC	± -	2 PLC	± -	3 PLC	± -	4 PLC	± -	ANGLES	± -	PRODUCT SPEC		STRAIN RELIEF KIT, 45 /180 AMPLIMITE HD-20
0 PLC	± -															
1 PLC	± -															
2 PLC	± -															
3 PLC	± -															
4 PLC	± -															
ANGLES	± -															
MATERIAL HOUSING & GATES: POLYPROPYLENE		APPLICATION SPEC		RESTRICTED TO												
FINISH HOUSING & GATES: BLACK		WEIGHT		SCALE 2:1 SHEET 1 of 1 REV A1												
HARDWARE: ② ④ ⑥		CUSTOMER DRAWING														
FINISH HOUSING & GATES: BLACK		SIZE CAGE CODE DRAWING NO														
HARDWARE: ③ ⑤ ⑦		A2 00779 C=5206478														