



Chipsmall Limited consists of a professional team with an average of over 10 year of expertise in the distribution of electronic components. Based in Hongkong, we have already established firm and mutual-benefit business relationships with customers from,Europe,America and south Asia,supplying obsolete and hard-to-find components to meet their specific needs.

With the principle of “Quality Parts,Customers Priority,Honest Operation,and Considerate Service”,our business mainly focus on the distribution of electronic components. Line cards we deal with include Microchip,ALPS,ROHM,Xilinx,Pulse,ON,Everlight and Freescale. Main products comprise IC,Modules,Potentiometer,IC Socket,Relay,Connector.Our parts cover such applications as commercial,industrial, and automotives areas.

We are looking forward to setting up business relationship with you and hope to provide you with the best service and solution. Let us make a better world for our industry!



Contact us

Tel: +86-755-8981 8866 Fax: +86-755-8427 6832

Email & Skype: info@chipsmall.com Web: www.chipsmall.com

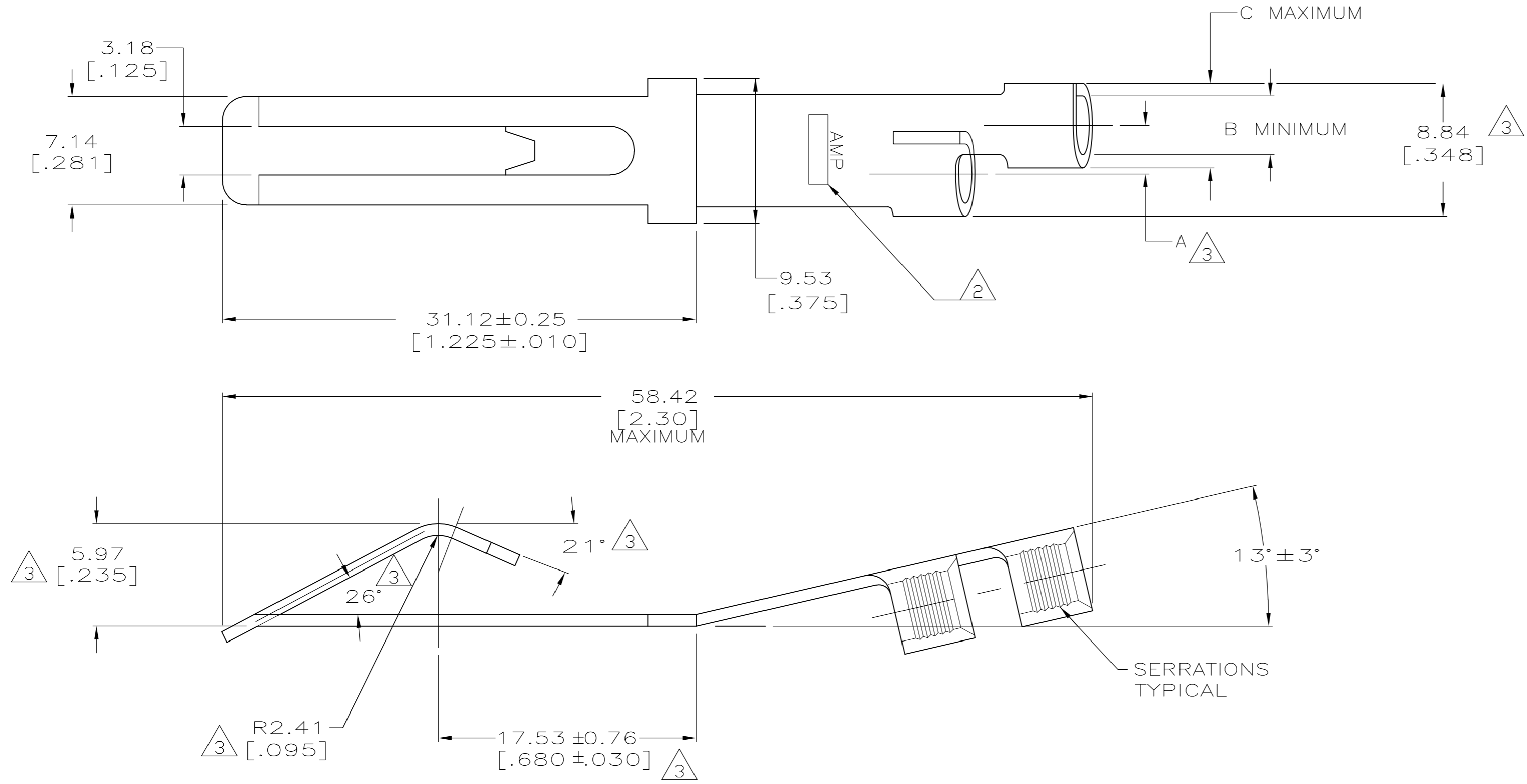
Address: A1208, Overseas Decoration Building, #122 Zhenhua RD., Futian, Shenzhen, China



THIS DRAWING IS UNPUBLISHED. RELEASED FOR PUBLICATION
 © COPYRIGHT BY TYCO ELECTRONICS CORPORATION. ALL RIGHTS RESERVED.

LOC	DIST	REVISIONS			
P	LTR	DESCRIPTION	DATE	DWN	APVD
HM	00	H	REVISED PER ECR 09-027795	28DEC09	JR TM

- 1 MATERIAL: PHOSPHOR BRONZE, 0.79[.031] THICK, SILVER PLATE.
- 2 AMP AND WIRE GAUGE LOCATED APPROXIMATELY AS SHOWN. WIRE SIZE PER TABLE.
- 3 REFERENCE



AWG WIRE SIZE	C	B	A	PART NO
14-10	5.08 [.200]	3.28 [.129]	3.89 [.153]	52075-2
12-10	5.74 [.226]	3.73 [.147]	3.22 [.127]	52075-1

THIS DRAWING IS A CONTROLLED DOCUMENT.		DWN L. HALL 07OCT02	Tyco Electronics Corporation Harrisburg, PA 17105-3608	
DIMENSIONS: mm		CHK M. DELPHIAS 08OCT02		
TOLERANCES UNLESS OTHERWISE SPECIFIED:		APVD M. DELPHIAS 08OCT02	NAME	
0 PLC ± -		PRODUCT SPEC	TERMINAL BODY, FLAG RELAY CONTACT	
1 PLC ± -		APPLICATION SPEC	-	
2 PLC ± 0.51[.02]		WEIGHT -	SIZE A2	RESTRICTED TO -
3 PLC ± 0.20[.008]		CUSTOMER DRAWING	CAGE CODE 00779	DRAWING NO C=52075
4 PLC ± -		SCALE 4:1	SHEET 1 OF 1	REV H
ANGLES ± 5°				
FINISH 1				