



Chipsmall Limited consists of a professional team with an average of over 10 year of expertise in the distribution of electronic components. Based in Hongkong, we have already established firm and mutual-benefit business relationships with customers from,Europe,America and south Asia,supplying obsolete and hard-to-find components to meet their specific needs.

With the principle of “Quality Parts,Customers Priority,Honest Operation,and Considerate Service”,our business mainly focus on the distribution of electronic components. Line cards we deal with include Microchip,ALPS,ROHM,Xilinx,Pulse,ON,Everlight and Freescale. Main products comprise IC,Modules,Potentiometer,IC Socket,Relay,Connector.Our parts cover such applications as commercial,industrial, and automotives areas.

We are looking forward to setting up business relationship with you and hope to provide you with the best service and solution. Let us make a better world for our industry!



## Contact us

Tel: +86-755-8981 8866 Fax: +86-755-8427 6832

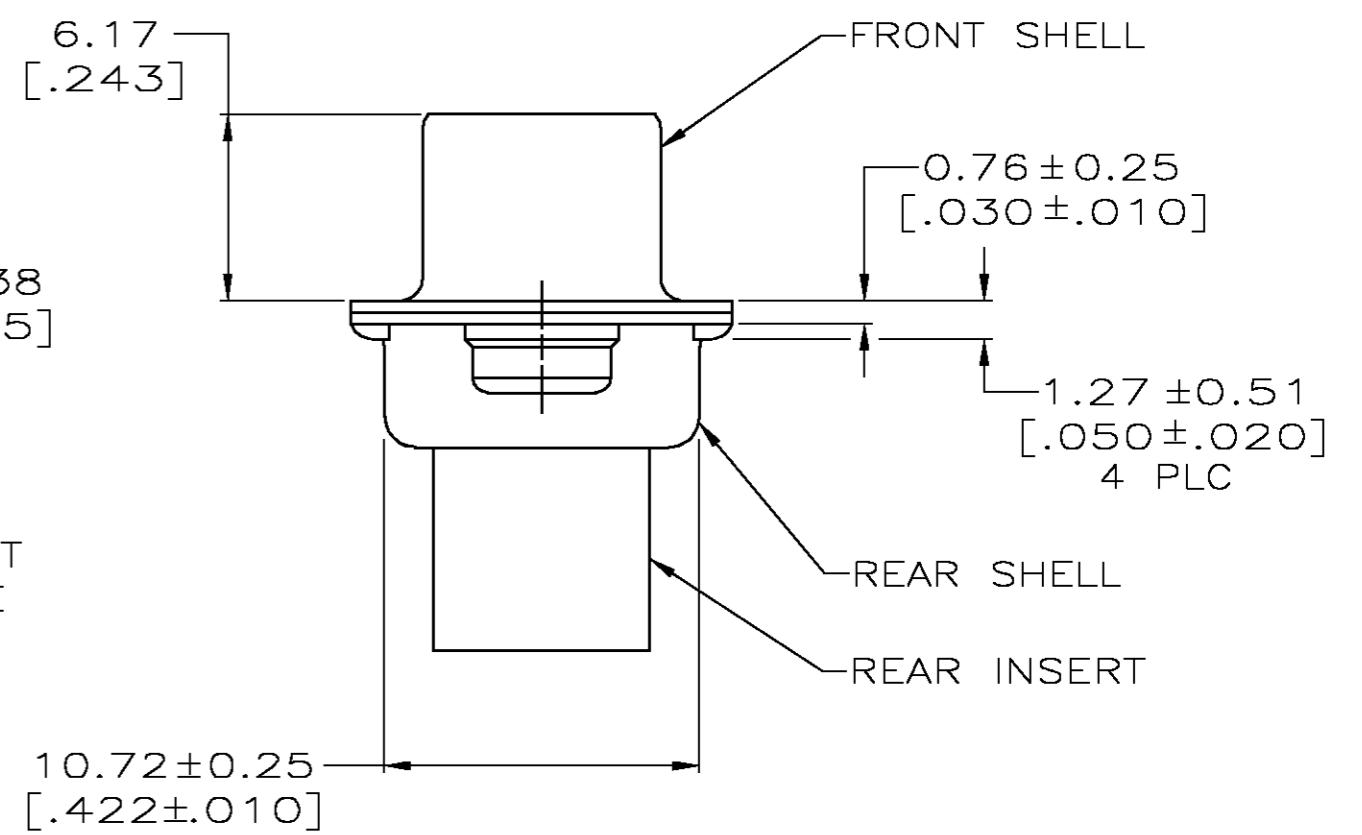
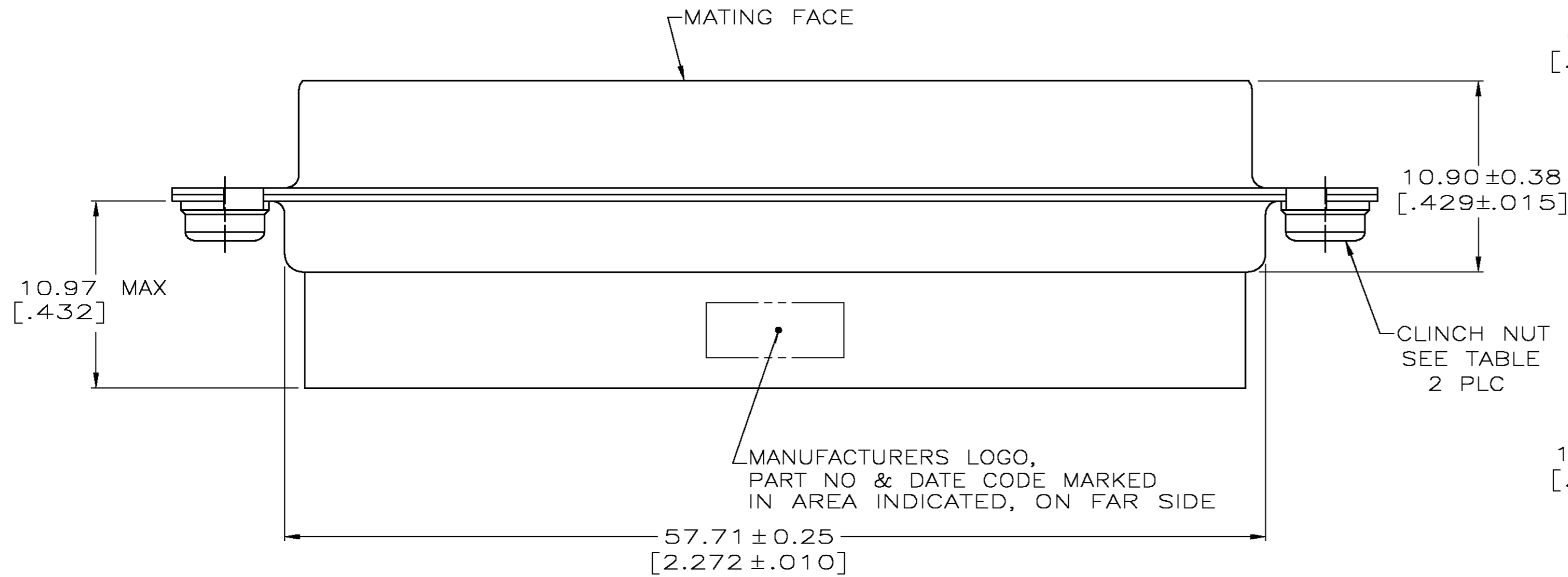
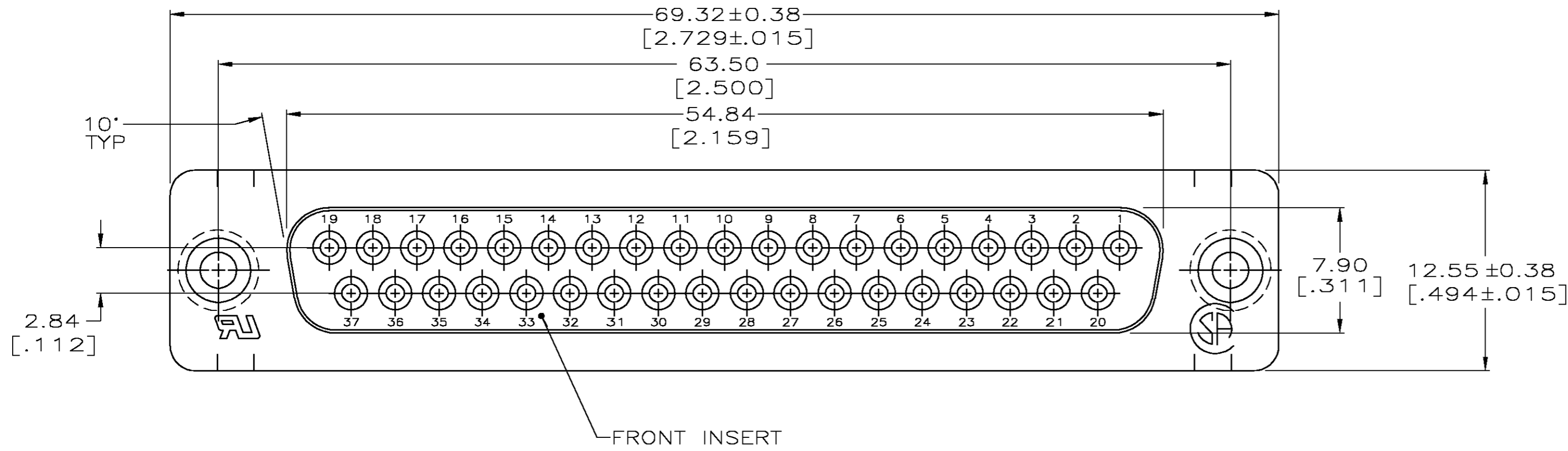
Email & Skype: info@chipsmall.com Web: www.chipsmall.com

Address: A1208, Overseas Decoration Building, #122 Zhenhua RD., Futian, Shenzhen, China



THIS DRAWING IS UNPUBLISHED. RELEASED FOR PUBLICATION  
 © COPYRIGHT BY TYCO ELECTRONICS CORPORATION. ALL RIGHTS RESERVED.

LOC		DIST		REVISIONS			
P	LTR	DESCRIPTION		DATE	DWN	APVD	
0		RELEASED PER EC 0S13-0257-04		11-10-04	GA	JG	



- CONNECTOR ACCEPTS SIZE 20 DF SOCKET CONTACTS, RETENTION TINES ARE AN INTEGRAL PART OF INSERT.
- MOLDED PARTS: NYLON OR POLYESTER, UL 94V-0 RATED, BLACK. CLINCH NUTS & SHELLS: CARBON STEEL PER ASTM A109.
- 5.08 μm [.000200] MIN TIN OVER 2.54 μm [.000100] MIN COPPER.
- .068 MAX DIA WIRE INSULATION SIZE IS RECOMMENDED FOR USE WITH THIS RECEPTACLE.
- CLEAR CHROMATE OVER ZINC.

3		5		4-40		5207661-3	
SHELL FINISH		CLINCH NUT FINISH		CLINCH NUT THREAD TYPE		PART NO	
THIS DRAWING IS A CONTROLLED DOCUMENT.				DWN G. ATTADIA - DOCK5 11-10-04		Tyco Electronics Corporation	
DIMENSIONS: INCHES				CHK J. GERACE 11-10-04		Harrisburg, PA 17105-3608	
TOLERANCES UNLESS OTHERWISE SPECIFIED:				APVD M. WALMSLEY 11-10-04		NAME	
0 PLC ± -				PRODUCT SPEC		RECEPTACLE CONNECTOR, SIZE 4,	
1 PLC ± -				APPLICATION SPEC		37 POSN, WITH CLINCH NUTS,	
2 PLC ± 0.13 [.005]				114-40030		AMPLIMITE HDP	
3 PLC ± -				WEIGHT -		SIZE A2	
4 PLC ± -				CUSTOMER DRAWING		CAGE CODE 00779	
ANGLES ± 2°				SCALE 4:1		DRAWING NO C=5207661	
FINISH SEE TABLE				SHEET 1 OF 1		RESTRICTED TO -	
				REV 0			

5207661

A