



Chipsmall Limited consists of a professional team with an average of over 10 year of expertise in the distribution of electronic components. Based in Hongkong, we have already established firm and mutual-benefit business relationships with customers from,Europe,America and south Asia,supplying obsolete and hard-to-find components to meet their specific needs.

With the principle of “Quality Parts,Customers Priority,Honest Operation,and Considerate Service”,our business mainly focus on the distribution of electronic components. Line cards we deal with include Microchip,ALPS,ROHM,Xilinx,Pulse,ON,Everlight and Freescale. Main products comprise IC,Modules,Potentiometer,IC Socket,Relay,Connector.Our parts cover such applications as commercial,industrial, and automotives areas.

We are looking forward to setting up business relationship with you and hope to provide you with the best service and solution. Let us make a better world for our industry!



## Contact us

Tel: +86-755-8981 8866 Fax: +86-755-8427 6832

Email & Skype: info@chipsmall.com Web: www.chipsmall.com

Address: A1208, Overseas Decoration Building, #122 Zhenhua RD., Futian, Shenzhen, China



THIS DRAWING IS UNPUBLISHED.

RELEASED FOR PUBLICATION

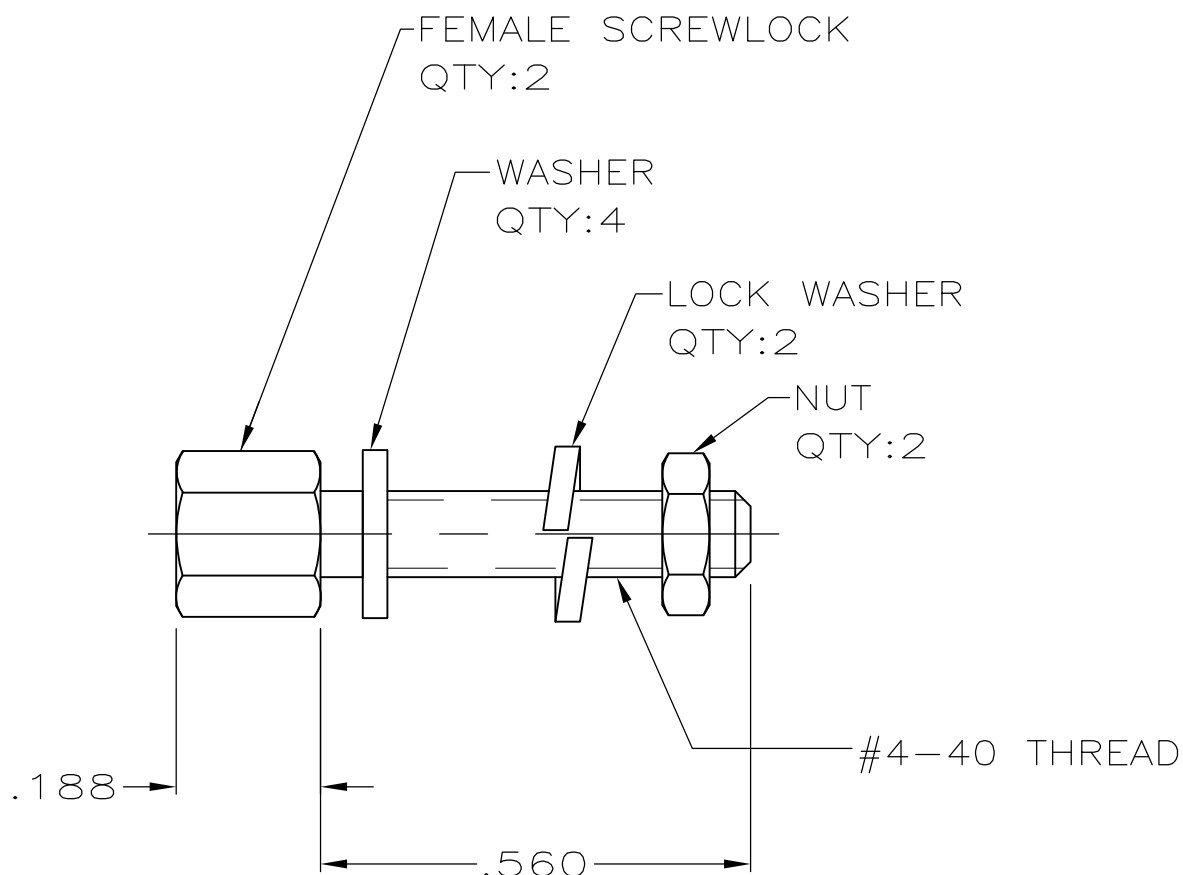
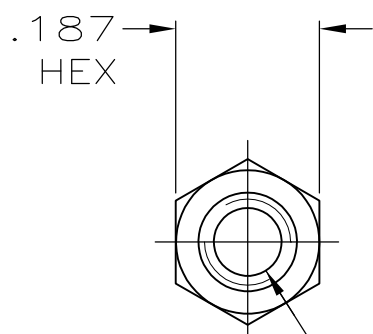
ALL RIGHTS RESERVED.

© COPYRIGHT - By -

LOC GP DIST 00

REVISIONS

| P | LTR | DESCRIPTION               | DATE    | DWN | APVD |
|---|-----|---------------------------|---------|-----|------|
| P |     | REVISED PER ECO-11-004835 | 11MAR11 | RK  | HMR  |



- ① ZINC PLATED .000200-.000400 THICK, YELLOW CHROMATE COATING.
- ② ZINC PLATED .000200-.000400 THICK, CLEAR CHROMATE COATING.
- 3. PARTS PACKAGED UNASSEMBLED.
- ④ PARTS PACKAGED AS A UNIT KIT.
- ⑤ PARTS INDIVIDUALLY BULK PACKED & SHIPPED AS A UNIT PACKAGE.

|           |        |             |
|-----------|--------|-------------|
| ⑤         | ②      | 5207719-4   |
| ④         | ②      | 5207719-3   |
| ⑤         | ①      | 5207719-2   |
| ④         | ①      | 5207719-1   |
| PACKAGING | FINISH | PART NUMBER |

|   |        |                         |   |              |                 |                      |                 |       |        |       |     |        |     |                |                    |  |  |
|---|--------|-------------------------|---|--------------|-----------------|----------------------|-----------------|-------|--------|-------|-----|--------|-----|----------------|--------------------|--|--|
| THIS DRAWING IS A CONTROLLED DOCUMENT.  |        | DWN S.WAITMAN 28JUN05   | <b>STE</b> TE Connectivity                |              |                 |                      |                 |       |        |       |     |        |     |                |                    |  |  |
| DIMENSIONS: INCHES  |        | CHK C.ROHDE 28JUN05     |   |              |                 |                      |                 |       |        |       |     |        |     |                |                    |  |  |
| TOLERANCES UNLESS OTHERWISE SPECIFIED:  |        | APVD M.WALMSLEY 28JUN05 | NAME SCREWLOCK FEMALE ASSEMBLY, AMPLIMITE |              |                 |                      |                 |       |        |       |     |        |     |                |                    |  |  |
| <table border="1"> <tr><td>0 PLC</td><td>± -</td></tr> <tr><td>1 PLC</td><td>± -</td></tr> <tr><td>2 PLC</td><td>± -</td></tr> <tr><td>3 PLC</td><td>± .005</td></tr> <tr><td>4 PLC</td><td>± -</td></tr> <tr><td>ANGLES</td><td>± -</td></tr> </table> |        | 0 PLC                   | ± -                                       | 1 PLC        | ± -             | 2 PLC                | ± -             | 3 PLC | ± .005 | 4 PLC | ± - | ANGLES | ± - | PRODUCT SPEC - | APPLICATION SPEC - |  |  |
| 0 PLC   | ± -    |                         |   |              |                 |                      |                 |       |        |       |     |        |     |                |                    |  |  |
| 1 PLC   | ± -    |                         |   |              |                 |                      |                 |       |        |       |     |        |     |                |                    |  |  |
| 2 PLC   | ± -    |                         |   |              |                 |                      |                 |       |        |       |     |        |     |                |                    |  |  |
| 3 PLC   | ± .005 |                         |   |              |                 |                      |                 |       |        |       |     |        |     |                |                    |  |  |
| 4 PLC   | ± -    |                         |   |              |                 |                      |                 |       |        |       |     |        |     |                |                    |  |  |
| ANGLES  | ± -    |                         |   |              |                 |                      |                 |       |        |       |     |        |     |                |                    |  |  |
| MATERIAL COLD ROLLED STEEL PER ASTM A108  |        | FINISH SEE TABLE        | WEIGHT -                                  | SIZE A3      | CAGE CODE 00779 | DRAWING NO C-5207719 | RESTRICTED TO - |       |        |       |     |        |     |                |                    |  |  |
| CUSTOMER DRAWING  |        |                         | SCALE 4:1                                 | SHEET 1 OF 1 | REV P           |                      |                 |       |        |       |     |        |     |                |                    |  |  |