



Chipsmall Limited consists of a professional team with an average of over 10 year of expertise in the distribution of electronic components. Based in Hongkong, we have already established firm and mutual-benefit business relationships with customers from,Europe,America and south Asia,supplying obsolete and hard-to-find components to meet their specific needs.

With the principle of "Quality Parts,Customers Priority,Honest Operation,and Considerate Service",our business mainly focus on the distribution of electronic components. Line cards we deal with include Microchip,ALPS,ROHM,Xilinx,Pulse,ON,Everlight and Freescale. Main products comprise IC,Modules,Potentiometer,IC Socket,Relay,Connector.Our parts cover such applications as commercial,industrial, and automotives areas.

We are looking forward to setting up business relationship with you and hope to provide you with the best service and solution. Let us make a better world for our industry!



## Contact us

Tel: +86-755-8981 8866 Fax: +86-755-8427 6832

Email & Skype: info@chipsmall.com Web: www.chipsmall.com

Address: A1208, Overseas Decoration Building, #122 Zhenhua RD., Futian, Shenzhen, China



THIS DRAWING IS UNPUBLISHED.

RELEASED FOR PUBLICATION

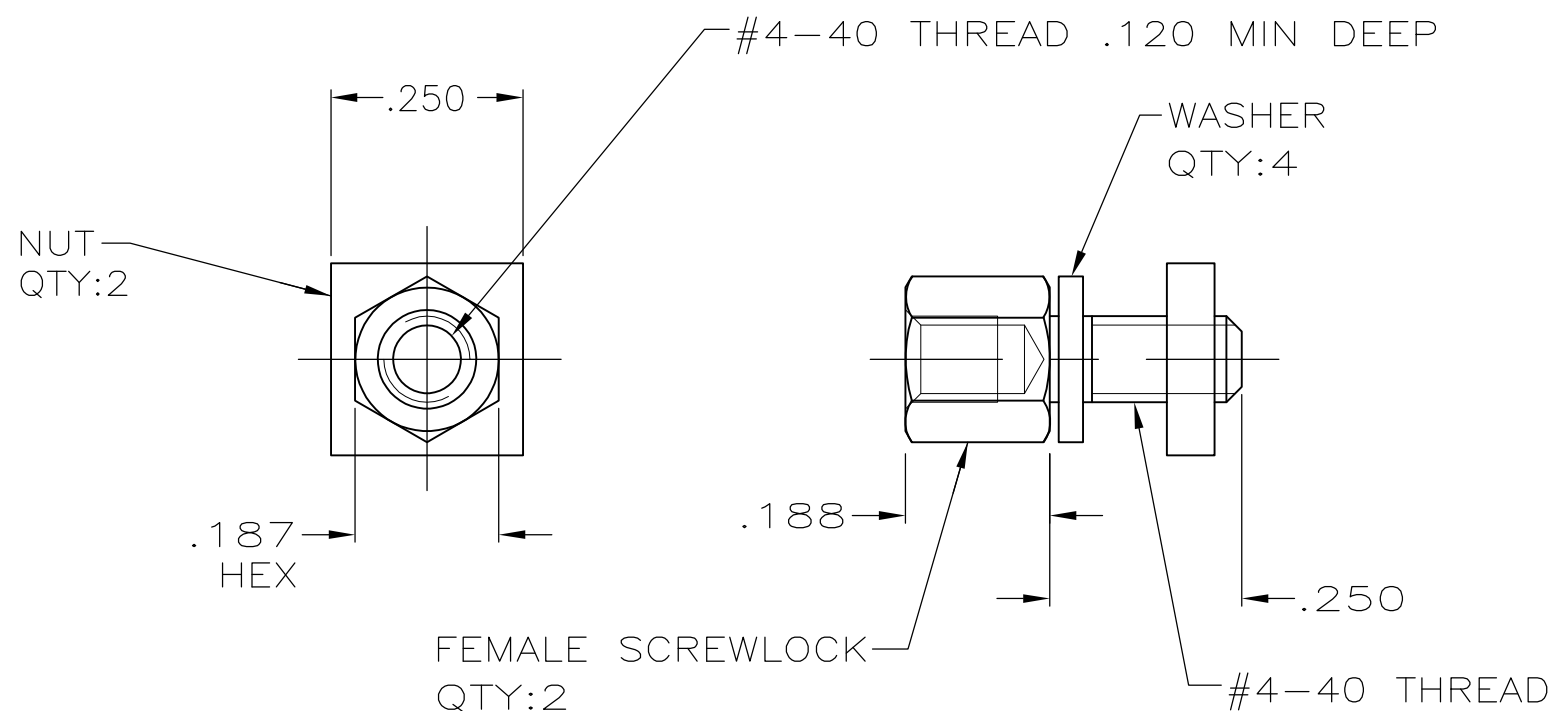
© COPYRIGHT - By -

ALL RIGHTS RESERVED.

LOC GP DIST 00

REVISIONS

P	LTR	DESCRIPTION	DATE	DWN	APVD
P		REVISED PER ECO-11-004835	11MAR11	RK	HMR




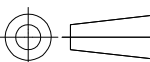
1 ZINC PLATED .000200-.000400 THICK, YELLOW CHROMATE COATING.

2 ZINC PLATED .000200-.000400 THICK, CLEAR CHROMATE COATING.

3. PARTS PACKAGED UNASSEMBLED.

4. PARTS PACKAGED AS A UNIT KIT.

2	5207952-3
1	5207952-1
FINISH	PART NUMBER

THIS DRAWING IS A CONTROLLED DOCUMENT.		DWN S.WAITMAN 28JUN05	 <b>TE Connectivity</b>				
DIMENSIONS: INCHES		CHK C.ROHDE 28JUN05				NAME	
		APVD M.WALMSLEY 28JUN05				SCREWLOCK KIT, FEMALE, SHORT, AMPLIMITE	
TOLERANCES UNLESS OTHERWISE SPECIFIED:		PRODUCT SPEC				-	
MATERIAL STEEL		FINISH SEE TABLE	APPLICATION SPEC	-			
		WEIGHT -	SIZE A3	CAGE CODE 00779	DRAWING NO C-5207952		
CUSTOMER DRAWING			RESTRICTED TO	SCALE 4:1	SHEET 1 OF 1		
			REV P				