



Chipsmall Limited consists of a professional team with an average of over 10 year of expertise in the distribution of electronic components. Based in Hongkong, we have already established firm and mutual-benefit business relationships with customers from,Europe,America and south Asia,supplying obsolete and hard-to-find components to meet their specific needs.

With the principle of "Quality Parts,Customers Priority,Honest Operation,and Considerate Service",our business mainly focus on the distribution of electronic components. Line cards we deal with include Microchip,ALPS,ROHM,Xilinx,Pulse,ON,Everlight and Freescale. Main products comprise IC,Modules,Potentiometer,IC Socket,Relay,Connector.Our parts cover such applications as commercial,industrial, and automotives areas.

We are looking forward to setting up business relationship with you and hope to provide you with the best service and solution. Let us make a better world for our industry!



## Contact us

Tel: +86-755-8981 8866 Fax: +86-755-8427 6832

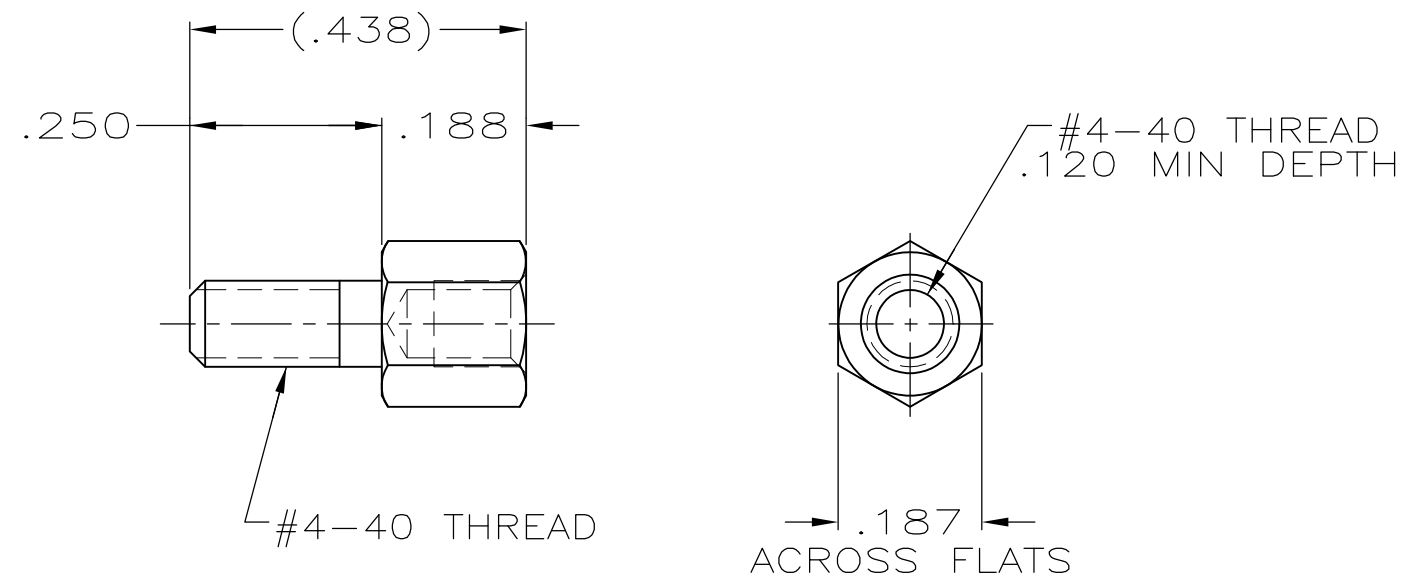
Email & Skype: info@chipsmall.com Web: www.chipsmall.com

Address: A1208, Overseas Decoration Building, #122 Zhenhua RD., Futian, Shenzhen, China




THIS DRAWING IS UNPUBLISHED. RELEASED FOR PUBLICATION  
 © COPYRIGHT - By - ALL RIGHTS RESERVED.

LOC	DIST	REVISIONS			
P	LTR	DESCRIPTION	DATE	DWN	APVD
GP	00				
	P	REVISED PER ECO-11-004835	19APR11	RK	HMR



- 1 ZINC PLATED .000200-.000400 THICK, YELLOW CHROMATE COATING.
- 2 ZINC PLATED .000200-.000400 THICK, CLEAR CHROMATE COATING.

2	5207953-3
1	5207953-2
FINISH	PART NO

THIS DRAWING IS A CONTROLLED DOCUMENT.		DWN R.RICHARDSON 24JUN05	 TE Connectivity SCREWLOCK, FEMALE, SHORT, AMPLIMITE				
DIMENSIONS: INCHES		CHK C.ROHDE 24JUN05				NAME	RESTRICTED TO
TOLERANCES UNLESS OTHERWISE SPECIFIED:		APVD M.WALMSLEY 24JUN05				SIZE	CAGE CODE
0 PLC ± - 1 PLC ± - 2 PLC ± - 3 PLC ± .005 4 PLC ± - ANGLES ± -		PRODUCT SPEC				DRAWING NO	REV
MATERIAL COLD ROLLED STEEL		FINISH SEE TABLE	WEIGHT -	A300779	C-5207953		
CUSTOMER DRAWING			SCALE 4:1	SHEET 1 OF 1	REV P		