



Chipsmall Limited consists of a professional team with an average of over 10 year of expertise in the distribution of electronic components. Based in Hongkong, we have already established firm and mutual-benefit business relationships with customers from,Europe,America and south Asia,supplying obsolete and hard-to-find components to meet their specific needs.

With the principle of “Quality Parts,Customers Priority,Honest Operation,and Considerate Service”,our business mainly focus on the distribution of electronic components. Line cards we deal with include Microchip,ALPS,ROHM,Xilinx,Pulse,ON,Everlight and Freescale. Main products comprise IC,Modules,Potentiometer,IC Socket,Relay,Connector.Our parts cover such applications as commercial,industrial, and automotives areas.

We are looking forward to setting up business relationship with you and hope to provide you with the best service and solution. Let us make a better world for our industry!



Contact us

Tel: +86-755-8981 8866 Fax: +86-755-8427 6832

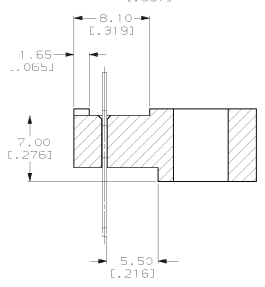
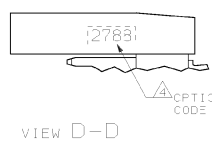
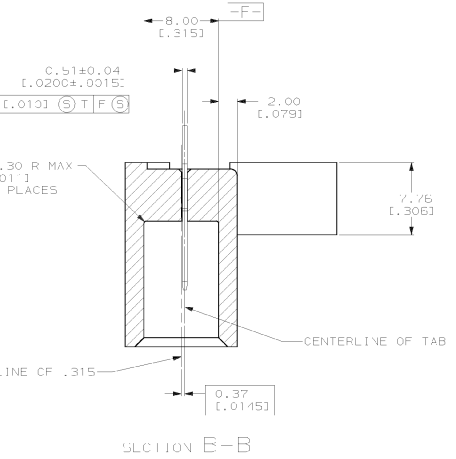
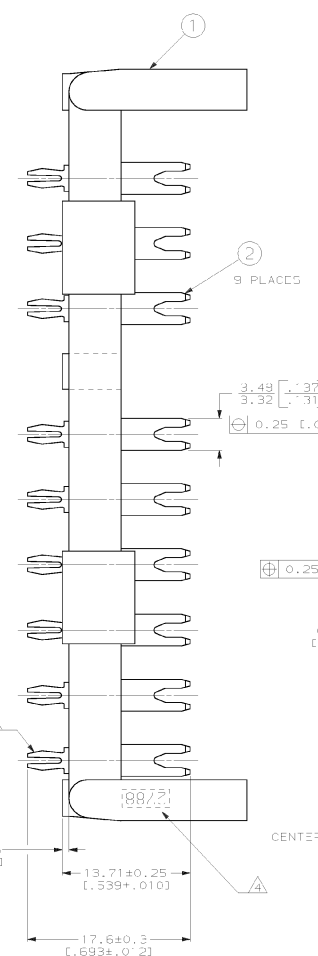
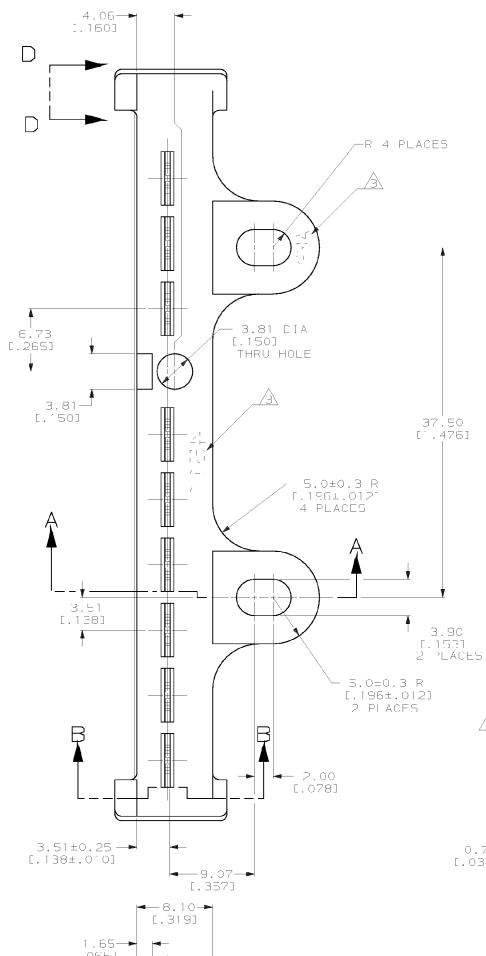
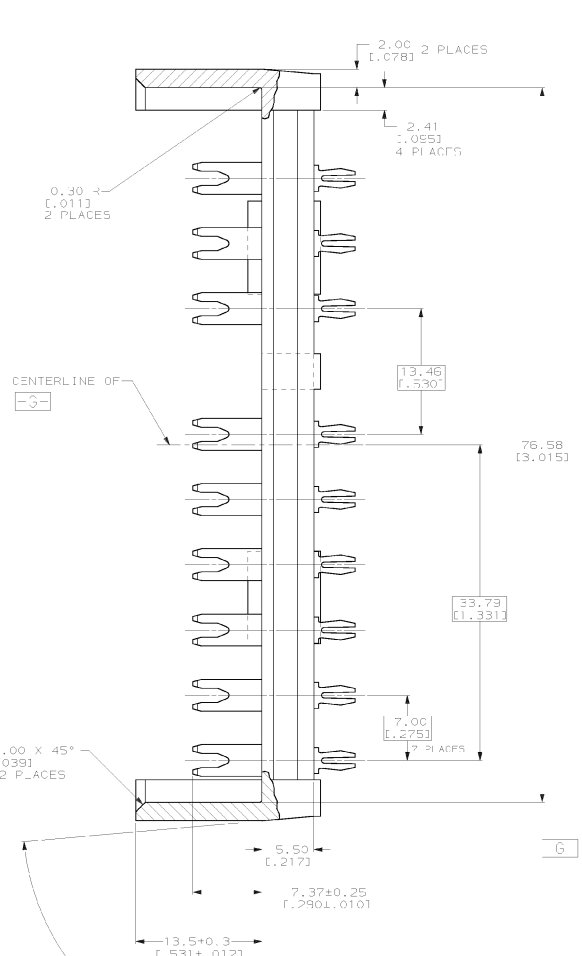
Email & Skype: info@chipsmall.com Web: www.chipsmall.com

Address: A1208, Overseas Decoration Building, #122 Zhenhua RD., Futian, Shenzhen, China



REV. NO.		ZONE		DESCRIPTION		DATE	APP'D
AF	50			N	REV PER 0110-3249-97	28A0207	RSYER

- ⚠ POSTS TO FIT INTO 1.78-1.93 [.070-.076] DIA HOLE, 1/16 THICK P.C. BOARD.
- > 1.00 (.039) RADII, 1° DRAFT PERMISSIBLE EXCEPT AS NOTED.
- ⚠ AMP LOGO AND LAST FOUR DIGITS OF A.C. SPARK NUMBER RECESSED IN HOUSING.
- ⚠ DATE CODE (WEEK, YEAR) LOCATED IN THIS AREA.
- ⚠ 0.00381 [.000150] MIN TIN PER MIL T 10727 OVER
- ⚠ 0.00254 [.000100] MIN COPPER PER MIL-C-14550.



⚠	#6 HARD BRASS	TERMINAL ②	520845 1
BLACK	POLYESTER 40% GLASS/MINERAL FILLED	HOUSING ①	
FINISH	MATERIAL	COMPONENT, ITEM NO	PART NO

DO NOT SCALE PRINT. UNLESS SPECIFIED DIMENSIONS IN MM (INCHES): TOLERANCES ON + 2 P.L. DEC ± 0.15 (1.000) 3 P.L. DEC ± . - ANGLES ± -	DR 3/12/91 MICHAEL S. FEHER CHK 3/18/91 JEFF T. BUSH APP'D 3/18/91 KURT RANDELPH MATERIAL OFF TARI F FINISH SEE TABLE	AMP Incorporated Harrisburg, PA 17102-3006 NAME ASSEMBLY, TAB, POKE-IN, MAG-MATE™ SIZE D CARE CODE 00779 DRAWING NO 520845 SCALE 4:1 SHEET 1 OF 1
---	---	--

METRIC