



Chipsmall Limited consists of a professional team with an average of over 10 year of expertise in the distribution of electronic components. Based in Hongkong, we have already established firm and mutual-benefit business relationships with customers from,Europe,America and south Asia,supplying obsolete and hard-to-find components to meet their specific needs.

With the principle of “Quality Parts,Customers Priority,Honest Operation,and Considerate Service”,our business mainly focus on the distribution of electronic components. Line cards we deal with include Microchip,ALPS,ROHM,Xilinx,Pulse,ON,Everlight and Freescale. Main products comprise IC,Modules,Potentiometer,IC Socket,Relay,Connector.Our parts cover such applications as commercial,industrial, and automotives areas.

We are looking forward to setting up business relationship with you and hope to provide you with the best service and solution. Let us make a better world for our industry!



Contact us

Tel: +86-755-8981 8866 Fax: +86-755-8427 6832

Email & Skype: info@chipsmall.com Web: www.chipsmall.com

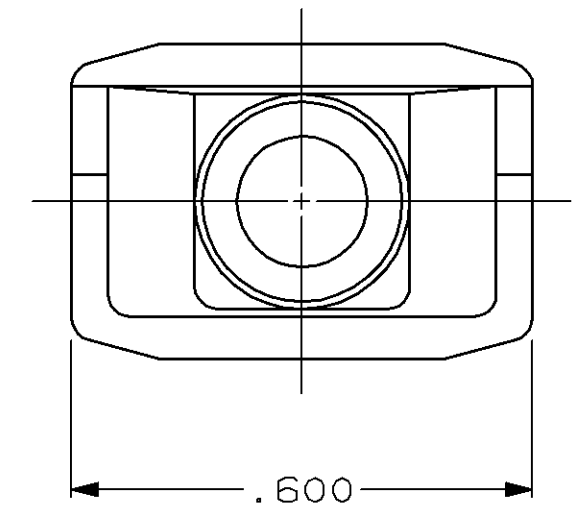
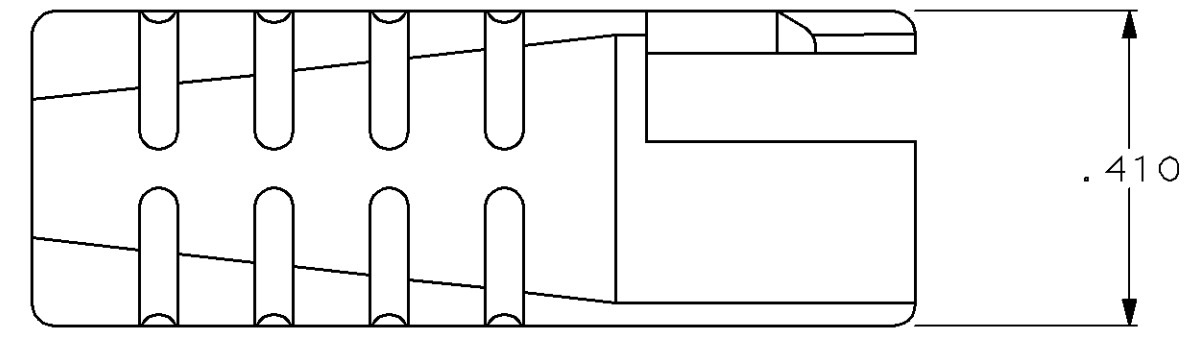
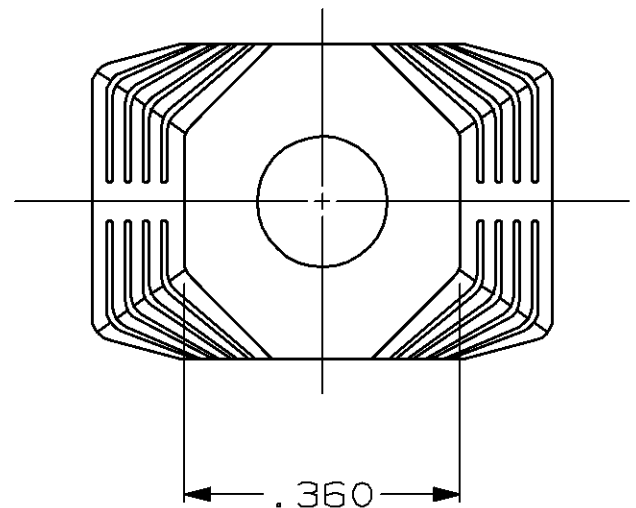
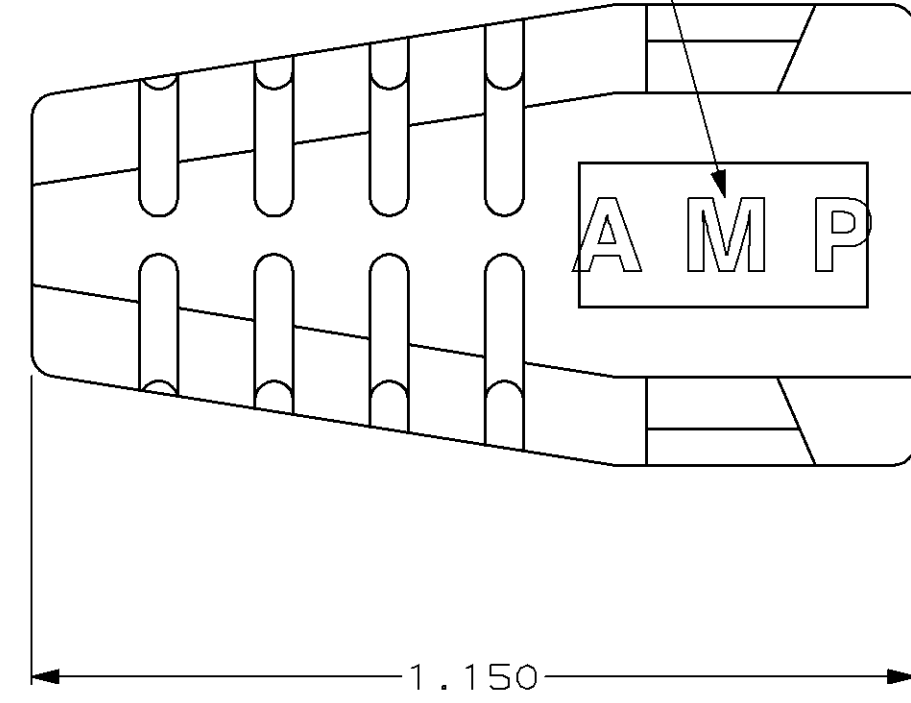
Address: A1208, Overseas Decoration Building, #122 Zhenhua RD., Futian, Shenzhen, China



THIS DRAWING IS UNPUBLISHED. RELEASED FOR PUBLICATION ,19 .
 © COPYRIGHT 19 BY AMP INCORPORATED. ALL INTERNATIONAL RIGHTS RESERVED.

LOC	DIST	P	F	ZONE	LTR	DESCRIPTION	DATE	APPD
BD	50				E	REDRAWN	10/8/90	-
					F	RLSE 520852-5 & -6 NPR4397 WAS 92-1014-3-1 & -2	10/06/92	JP
					G	OBS -2 & -6 PER EC 0020-1575-93	04/27/94	SM
					H	REV PER EC 0020-0017-95	01/20/95	RB
					J	REV PER EC 0020-475-95	24 OCT 95	RB
					K	REV PER EC 0410-251-97	22 SEP 97	JDS

LOGO, SEE TABLE



OBSOLETE	NO	GRAY	520852-6
OBSOLETE	YES	GRAY	520852-2
	YES	BLACK	520852-1
	LOGO	COLOR	PART NUMBER

1. BOOT ACCEPTS CABLE .168-.225 DIA.
2. SEE APPLICATION SPECIFICATIONS 114-2090 OR 114-2102 FOR ASSOCIATED PLUG AND CABLE SPECIFICATIONS.
3. SLIDE BOOT OVER UNTERMINATED CABLE, COMPLETE TERMINATION PER ABOVE SPECIFICATIONS, AND SLIDE BOOT OVER COMPLETED PLUG ASSEMBLY.

DO NOT SCALE PRINT. UNLESS SPECIFIED DIMENSIONS IN INCHES TOLERANCES ON : 2 PLC DEC ± - 3 PLC DEC ± .010 ANGLES ± -	DR 10/8/90 A.STAUB BG	AMP Incorporated Harrisburg, PA 17105-3608		
MATERIAL THERMOPLASTIC RUBBER	CHK 3-1-91 R.STONE			NAME 6 POSITION SDL ROUND PLUG BOOT
FINISH -	APPD 3-5-91 J.PRITULSKY	SIZE C	CAGE CODE 00779	DRAWING NO 520852
	APPD 3-5-91 J.PRITULSKY	SCALE 4:1		SHEET 1 OF 1
	PRODUCT SPEC -			
	APPLICATION SPEC -			
	WEIGHT -			