



Chipsmall Limited consists of a professional team with an average of over 10 year of expertise in the distribution of electronic components. Based in Hongkong, we have already established firm and mutual-benefit business relationships with customers from,Europe,America and south Asia,supplying obsolete and hard-to-find components to meet their specific needs.

With the principle of "Quality Parts,Customers Priority,Honest Operation,and Considerate Service",our business mainly focus on the distribution of electronic components. Line cards we deal with include Microchip,ALPS,ROHM,Xilinx,Pulse,ON,Everlight and Freescale. Main products comprise IC,Modules,Potentiometer,IC Socket,Relay,Connector.Our parts cover such applications as commercial,industrial, and automotives areas.

We are looking forward to setting up business relationship with you and hope to provide you with the best service and solution. Let us make a better world for our industry!



Contact us

Tel: +86-755-8981 8866 Fax: +86-755-8427 6832

Email & Skype: info@chipsmall.com Web: www.chipsmall.com

Address: A1208, Overseas Decoration Building, #122 Zhenhua RD., Futian, Shenzhen, China



THIS DRAWING IS UNPUBLISHED. RELEASED FOR PUBLICATION
 © COPYRIGHT - By - ALL RIGHTS RESERVED.

| LOC | DIST | REVISIONS | | | | | |
|-----|------|-----------|-----|---------------|-----------|-----|------|
| CE | 00 | P | LTR | DESCRIPTION | DATE | DWN | APVD |
| | | B | | ECR-11-018563 | 03OCT2011 | BB | SM |

NOTE:

- CONNECTOR KEYING CONFORMS TO ANSI X3T9.5/84-48.
- LED IS 'ON' WHEN IN INSERTED STATE
- THIS PRODUCT HAS NOT COMPLETED VALIDATION TESTING.

SPECIFICATIONS:

| SWITCH LEGEND | |
|--------------------|--------------------------|
| PI = PRIMARY IN | PTx = PRIMARY TRANSMIT |
| SO = SECONDARY OUT | STx = SECONDARY TRANSMIT |
| PO = PRIMARY OUT | PRx = PRIMARY RECEIVE |
| SI = SECONDARY IN | SRx = SECONDARY RECEIVE |

| | |
|------------|--------------|
| FIBER TYPE | 62.5/125/250 |
|------------|--------------|

INSERTION LOSS

INSERTION LOSS DATA INCLUDES TWO CONNECTED PAIRS TESTED PER FOTP-34 METHOD A2

OPERATE MODE, POWER ON

| | |
|------------------------|------------|
| PI LINE TO PRX STATION | 1.8 DB MAX |
| SI LINE TO SRX STATION | 1.8 DB MAX |
| PTX STATION TO PO LINE | 1.8 DB MAX |
| STX STATION TO SO LINE | 1.8 DB MAX |

BYPASS MODE, POWER OFF

| | |
|----------------------------|------------|
| PI LINE TO PO LINE | 1.8 DB MAX |
| SI LINE TO SO LINE | 1.8 DB MAX |
| PTX STATION TO PRX STATION | 5.0 DB MAX |
| STX STATION TO SRX STATION | 5.0 DB MAX |

OPTICAL CROSSTALK </= -45 DB, PER FOTP-42

OPERATING WAVE LENGTH 750 TO 1450nm

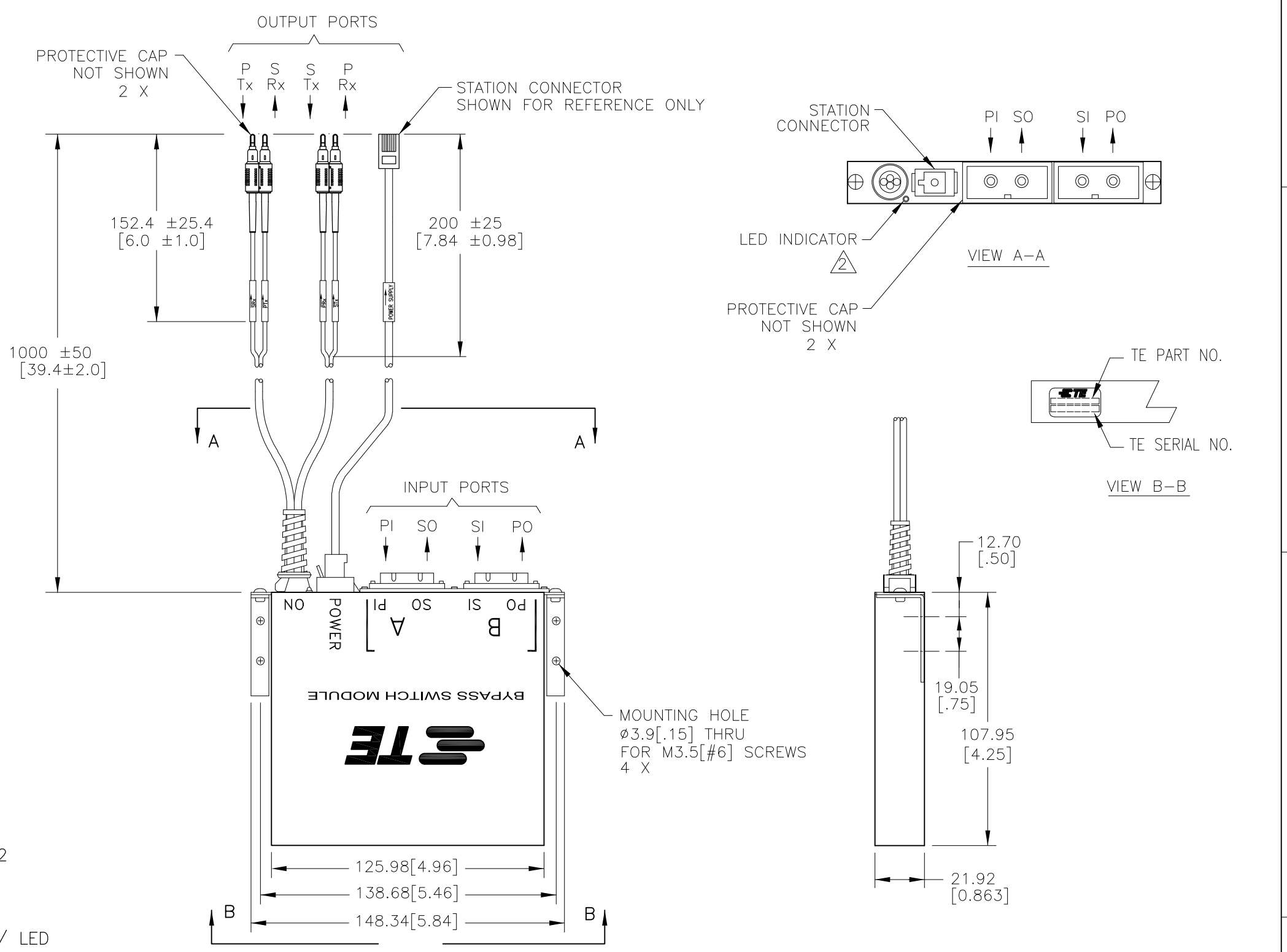
TESTED WAVELENGTH 1300nm

POWER REQUIREMENTS 4.0 TO 5.5 VDC

190 MA MAX AT 5.0 VDC W/ LED

SWITCHING SPEED 10 MILLISECONDS MAX

| KIT P/N | MODULE P/N | POWER CORD P/N | STATION CONNECTOR TYPE |
|-----------|------------|----------------|--------------------------|
| 5209187-3 | 5209668-3 | 5209503-1 | 6 POS. SHIELDED MOD PLUG |
| 5209187-4 | 5209668-3 | 5209504-1 | 6 POS. SHIELDED MINI DIN |
| 5209187-6 | 5209668-3 | 5209506-1 | 4 POS. MOD PLUG |



| | | | | | | | | | |
|--|--------------------|----------|----------------|---------|---------------------|------------------|-----------|-------------------|---------------|
| THIS DRAWING IS A CONTROLLED DOCUMENT. | | DWN | S. MONGOLD | 15FEB06 | TE Connectivity | NAME | | BYPASS SWITCH KIT | |
| DIMENSIONS: | | CHK | R. PAUL | 15FEB06 | | PRODUCT SPEC | | D-SC/D-SC | |
| mm [INCHES] | | APVD | F. ABENDSCHEIN | 15FEB06 | | APPLICATION SPEC | | - | |
| TOLERANCES UNLESS OTHERWISE SPECIFIED: | | MATERIAL | | FINISH | | SIZE | CAGE CODE | DRAWING NO | RESTRICTED TO |
| 0 PLC ± - | 1 PLC ± 0.5 [.020] | - | | - | A3 | 00779 | C-5209187 | - | |
| 2 PLC ± 0.38 [.015] | 3 PLC ± - | - | | - | CUSTOMER DRAWING | | SCALE | SHEET | REV |
| 4 PLC ± - | ANGLES ± - | - | | - | - | | 1:1 | 1 OF 1 | B |