



Chipsmall Limited consists of a professional team with an average of over 10 year of expertise in the distribution of electronic components. Based in Hongkong, we have already established firm and mutual-benefit business relationships with customers from,Europe,America and south Asia,supplying obsolete and hard-to-find components to meet their specific needs.

With the principle of “Quality Parts,Customers Priority,Honest Operation,and Considerate Service”,our business mainly focus on the distribution of electronic components. Line cards we deal with include Microchip,ALPS,ROHM,Xilinx,Pulse,ON,Everlight and Freescale. Main products comprise IC,Modules,Potentiometer,IC Socket,Relay,Connector.Our parts cover such applications as commercial,industrial, and automotives areas.

We are looking forward to setting up business relationship with you and hope to provide you with the best service and solution. Let us make a better world for our industry!



## Contact us

Tel: +86-755-8981 8866 Fax: +86-755-8427 6832

Email & Skype: info@chipsmall.com Web: www.chipsmall.com

Address: A1208, Overseas Decoration Building, #122 Zhenhua RD., Futian, Shenzhen, China

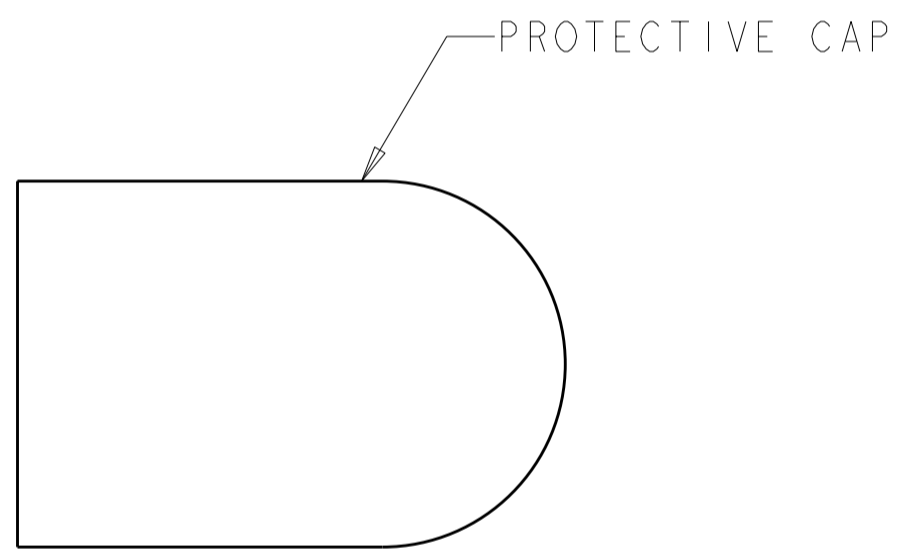
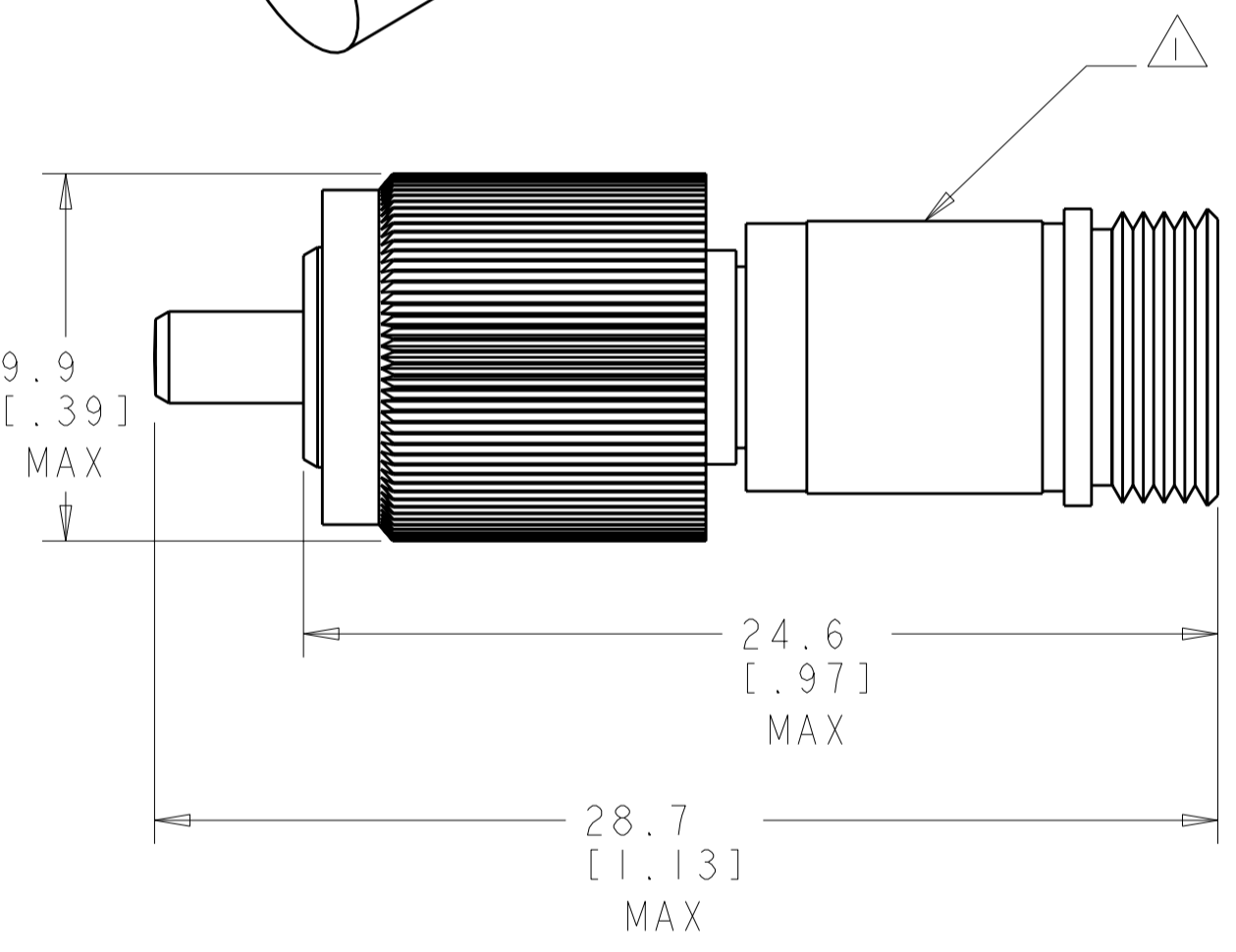
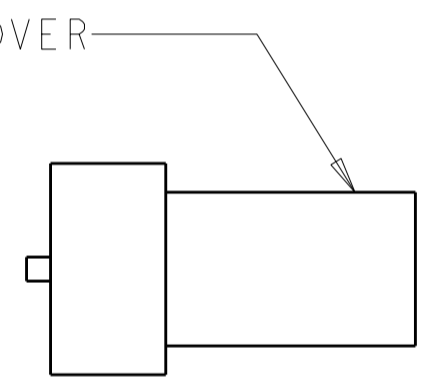
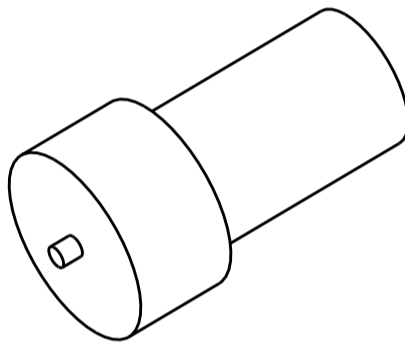
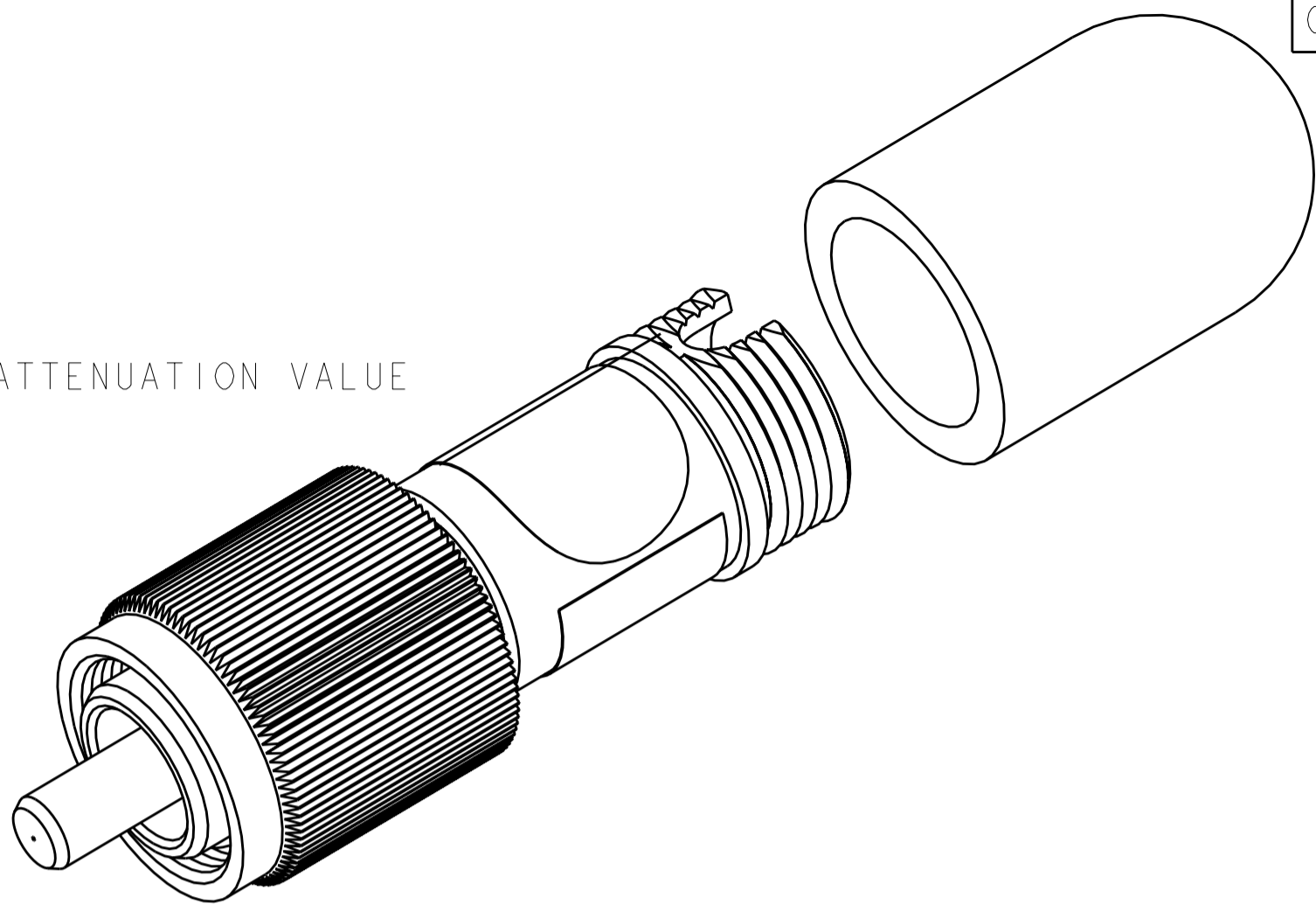


THIS DRAWING IS UNPUBLISHED. RELEASED FOR PUBLICATION 20  
 © COPYRIGHT 20 BY TYCO ELECTRONICS CORPORATION. ALL RIGHTS RESERVED.

LOC	DIST	REVISIONS			
P	LTR	DESCRIPTION	DATE	DWN	APVD
CE	00				
		C REVISE PER ECR-08-012828	02JUL2008	BB	DK

PERFORMANCE REQUIREMENTS:  
 OPERATING WAVELENGTH: 1260-1360 & 1430-1625nm  
 REFLECTANCE:  $\leq -55.5\text{dB}$   
 ATTENUATION TOLERANCE, AMBIENT:  
 FOR 0dB ATTENUATORS : +0.50dB MAX  
 FOR ATTENUATORS  $\leq 5\text{dB}$  :  $\pm 0.50\text{dB}$   
 FOR ATTENUATORS  $> 5\text{dB}$  :  $\pm 10\%$  OF NOMINAL ATTENUATION VALUE  
 MEASURED WITH REFERENCE QUALITY LAUNCH LEADS

ENDFACE GEOMETRY:  
 ROC: 10-25mm  
 APEX OFFSET:  $< 50\mu\text{m}$   
 FIBER HEIGHT:  $\pm 50\text{nm}$



NOMINAL ATTENUATION VALUE (dB)	PART NUMBER
0.5	7-5209285-0
0	9-5209285-9
1	5209285-1
2	5209285-2
3	5209285-3
4	5209285-4
5	5209285-5
6	5209285-6
7	5209285-7
7.5	7-5209285-7
8	5209285-8
9	5209285-9
10	1-5209285-0
11	1-5209285-1
12	1-5209285-2
13	1-5209285-3
14	1-5209285-4
15	1-5209285-5
18	1-5209285-8
19	1-5209285-9
20	2-5209285-0
25	2-5209285-5

⚠ TYCO ELECTRONICS LOGO, ATTENUATION VALUE, PART NUMBER, AND SERIAL NUMBER ARE PRINTED ON THE LABEL.

<small>THIS DRAWING IS A CONTROLLED DOCUMENT FOR TYCO ELECTRONICS CORPORATION. IT IS SUBJECT TO CHANGE AND THE CONTROLLING ENGINEERING ORGANIZATION SHOULD BE CONTACTED FOR THE LATEST REVISION.</small>		DWN: 19DEC2005 CHK: E. HOPKINS APVD: S. BUCHTER	Tyco Electronics Harrisburg, PA 17105-3608
DIMENSIONS: mm [ INCHES ]	TOLERANCES UNLESS OTHERWISE SPECIFIED: 0 PLC $\pm$ 1 PLC $\pm$ 2 PLC $\pm$ 3 PLC $\pm$ 4 PLC $\pm$ ANGLES $\pm 2$ FINISH	PRODUCT SPEC APPLICATION SPEC WEIGHT	NAME: ATTENUATOR, FOPC BOA FC/UPC BP SM SIZE: A2 CAGE CODE: 00779 DRAWING NO: 5209285 RESTRICTED TO:
MATERIAL:		CUSTOMER DRAWING	SCALE: 5:1 SHEET: 1 OF 1 REV: C