



Chipsmall Limited consists of a professional team with an average of over 10 year of expertise in the distribution of electronic components. Based in Hongkong, we have already established firm and mutual-benefit business relationships with customers from,Europe,America and south Asia,supplying obsolete and hard-to-find components to meet their specific needs.

With the principle of “Quality Parts,Customers Priority,Honest Operation,and Considerate Service”,our business mainly focus on the distribution of electronic components. Line cards we deal with include Microchip,ALPS,ROHM,Xilinx,Pulse,ON,Everlight and Freescale. Main products comprise IC,Modules,Potentiometer,IC Socket,Relay,Connector.Our parts cover such applications as commercial,industrial, and automotives areas.

We are looking forward to setting up business relationship with you and hope to provide you with the best service and solution. Let us make a better world for our industry!



## Contact us

Tel: +86-755-8981 8866 Fax: +86-755-8427 6832

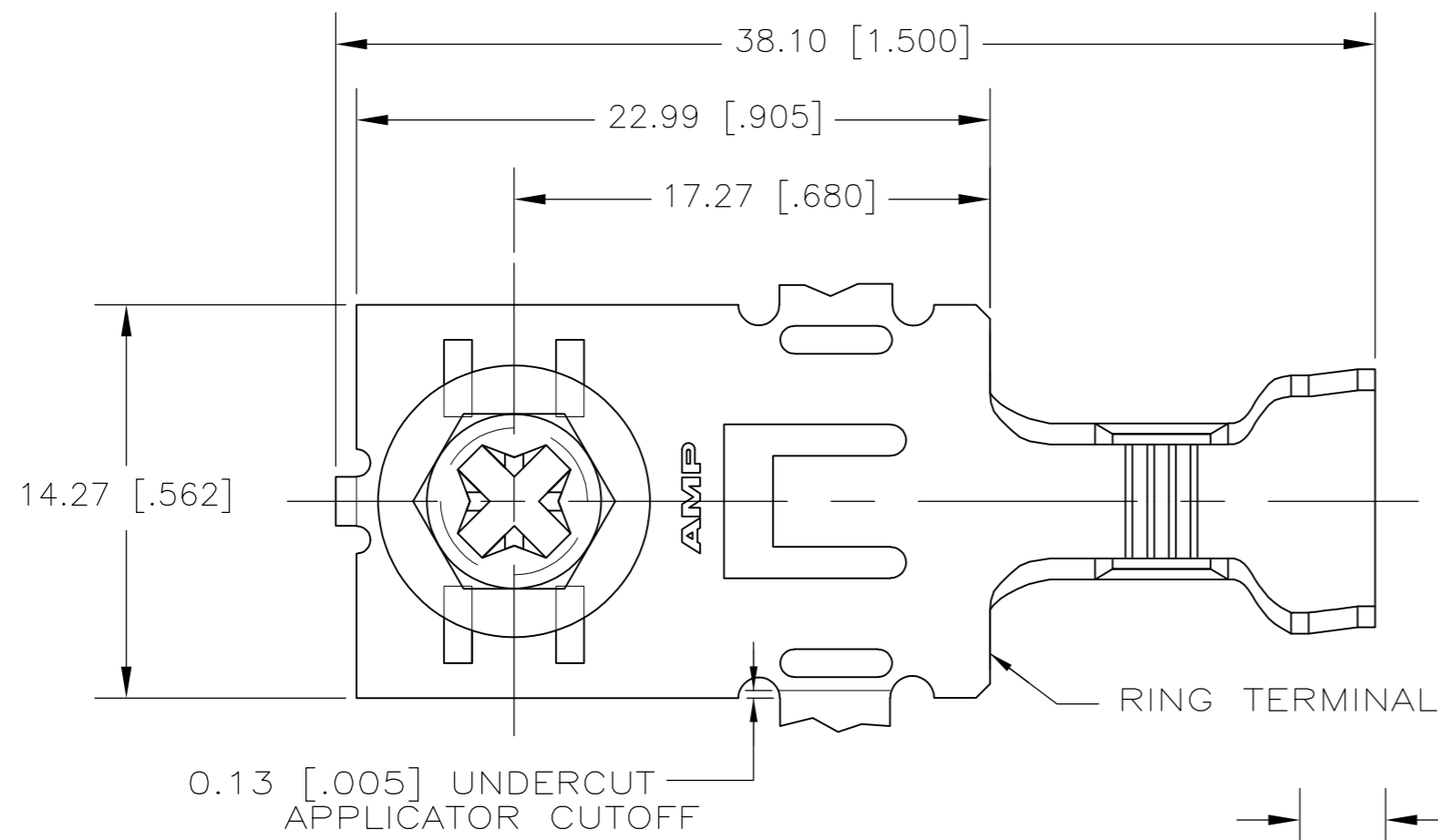
Email & Skype: info@chipsmall.com Web: www.chipsmall.com

Address: A1208, Overseas Decoration Building, #122 Zhenhua RD., Futian, Shenzhen, China

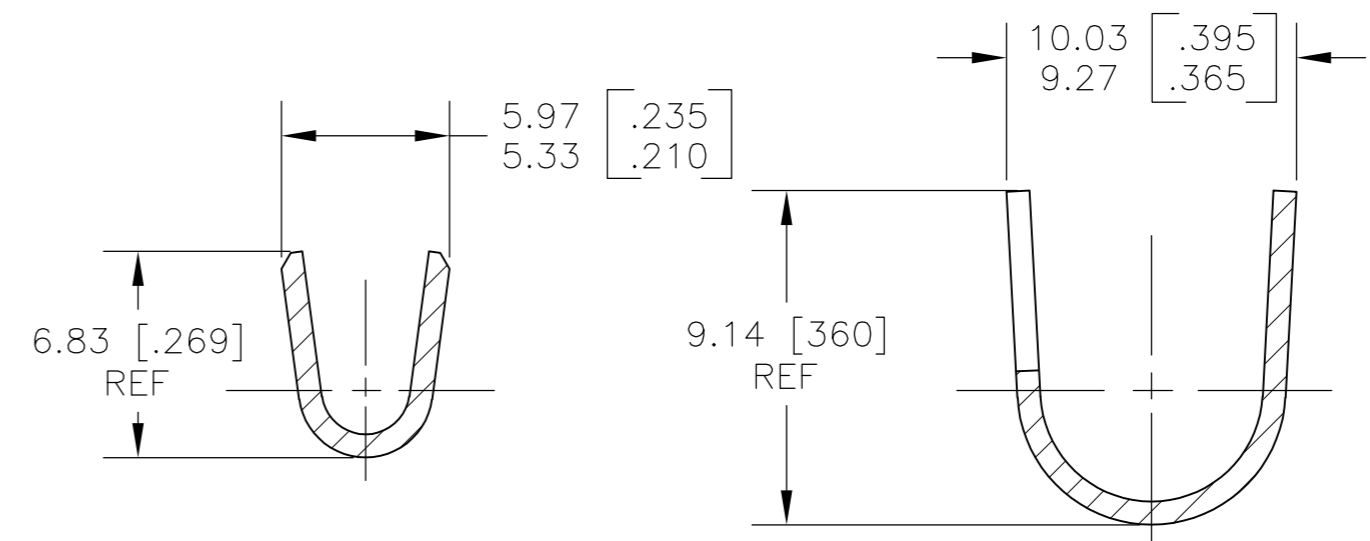
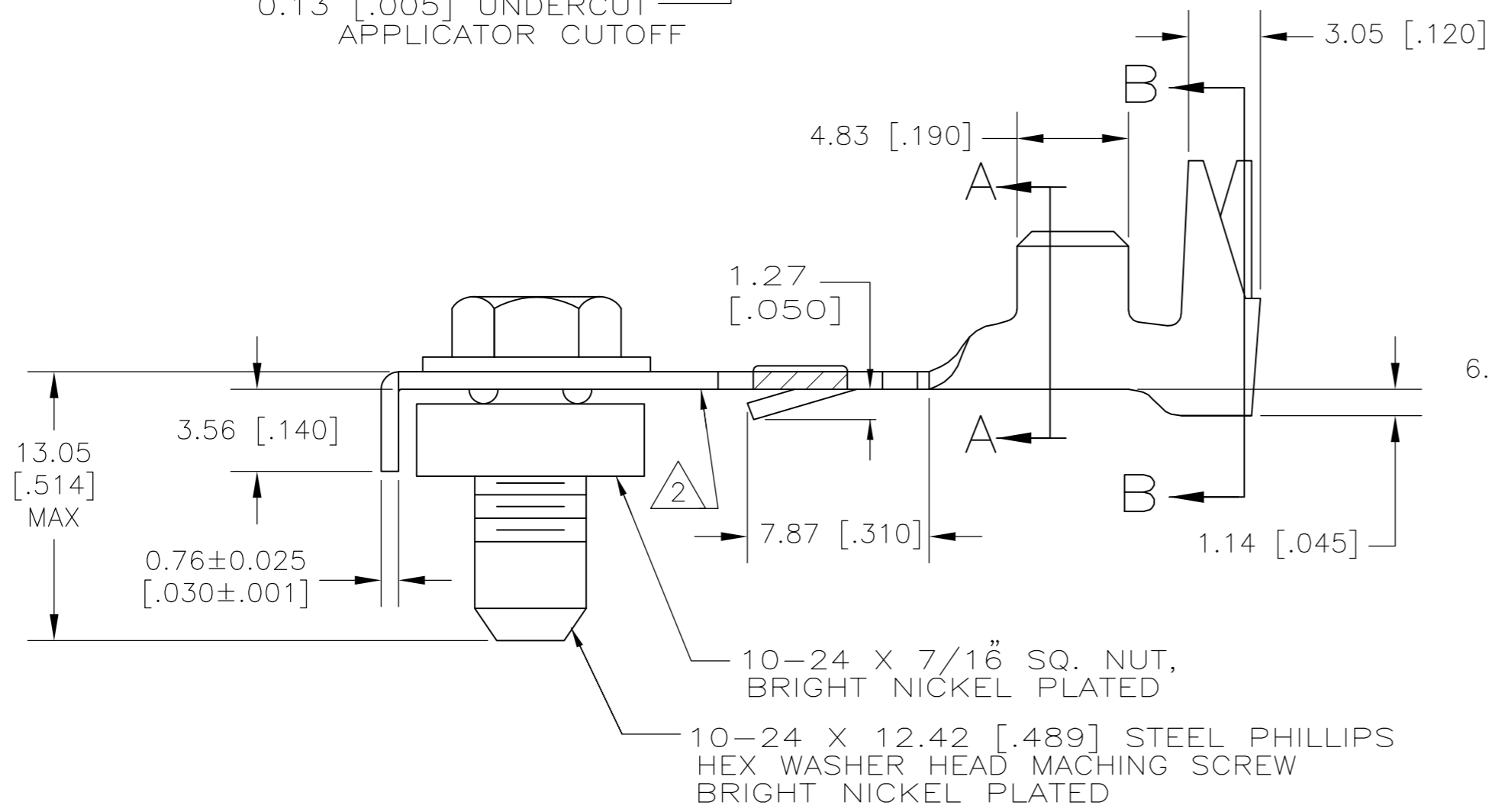


THIS DRAWING IS UNPUBLISHED. RELEASED FOR PUBLICATION  
 © COPYRIGHT - By - ALL RIGHTS RESERVED.

LOC	DIST	REVISIONS			
P	LTR	DESCRIPTION	DATE	DWN	APVD
AF	50	M1	REVISED PER ECR-11-025318	19DEC11	KH GJ



- 1 CONTINUOUS STRIP ON REELS
- 2 VERTICAL BURRS NOT TO EXCEED 0.13 [.005] ALONG THIS EDGE
- 3 BACK OUT TORQUE OF SCREW TO BE A MIN OF 5 IN LBS AND A MAX OF 25 IN LBS
- 4 WIRE SIZE #16-#10 OR TWO #12'S
- 5 INSULATION RANGE IS 5.59-7.87 [.220-.310] DIA OR TWO AT 4.32 [.170] DIA.



F OR O	8.89 [.350]	6.35 [.250]	F	4.57 [.180]	3.45 [.136]	2/12 <sup>S</sup>
					3.22 [.127]	10
					2.87 [.113]	12
					2.64 [.104]	14
					2.51 [.099]	16
TYPE	WIDTH	STRIP LENGTH	TYPE	WIDTH	±0.05 ±[.002] HEIGHT	WIRE
INSUL BARREL CRIMP		±0.38 [.015]	WIRE BARREL CRIMP			

520936-1  
PART NUMBER

THIS DRAWING IS A CONTROLLED DOCUMENT.		DWN M.S. FEHER 26OCT2007	<b>TE</b> TE Connectivity	
DIMENSIONS: INCHES		CHK D.F. DECKER 26OCT2007		
TOLERANCES UNLESS OTHERWISE SPECIFIED:		APVD D.F. DECKER 26OCT2007	NAME	
0 PLC ± -		PRODUCT SPEC	SUB-ASSEMBLY, POWER RING	
1 PLC ± -		APPLICATION SPEC	-	
2 PLC ± 0.38 [.015]		108-1191	SIZE	CAGE CODE
3 PLC ± -		114-2087	A2	00779
4 PLC ± -		WEIGHT	DRAWING NO	RESTRICTED TO
ANGLES ± -		-	C=520936	-
MATERIAL #2 HARD BRASS RING TERMINAL	FINISH NO FINISH RING TERMINAL	CUSTOMER DRAWING	SCALE 4:1	SHEET 1 OF 1
			REV M1	