



Chipsmall Limited consists of a professional team with an average of over 10 year of expertise in the distribution of electronic components. Based in Hongkong, we have already established firm and mutual-benefit business relationships with customers from,Europe,America and south Asia,supplying obsolete and hard-to-find components to meet their specific needs.

With the principle of "Quality Parts,Customers Priority,Honest Operation,and Considerate Service",our business mainly focus on the distribution of electronic components. Line cards we deal with include Microchip,ALPS,ROHM,Xilinx,Pulse,ON,Everlight and Freescale. Main products comprise IC,Modules,Potentiometer,IC Socket,Relay,Connector.Our parts cover such applications as commercial,industrial, and automotives areas.

We are looking forward to setting up business relationship with you and hope to provide you with the best service and solution. Let us make a better world for our industry!



Contact us

Tel: +86-755-8981 8866 Fax: +86-755-8427 6832

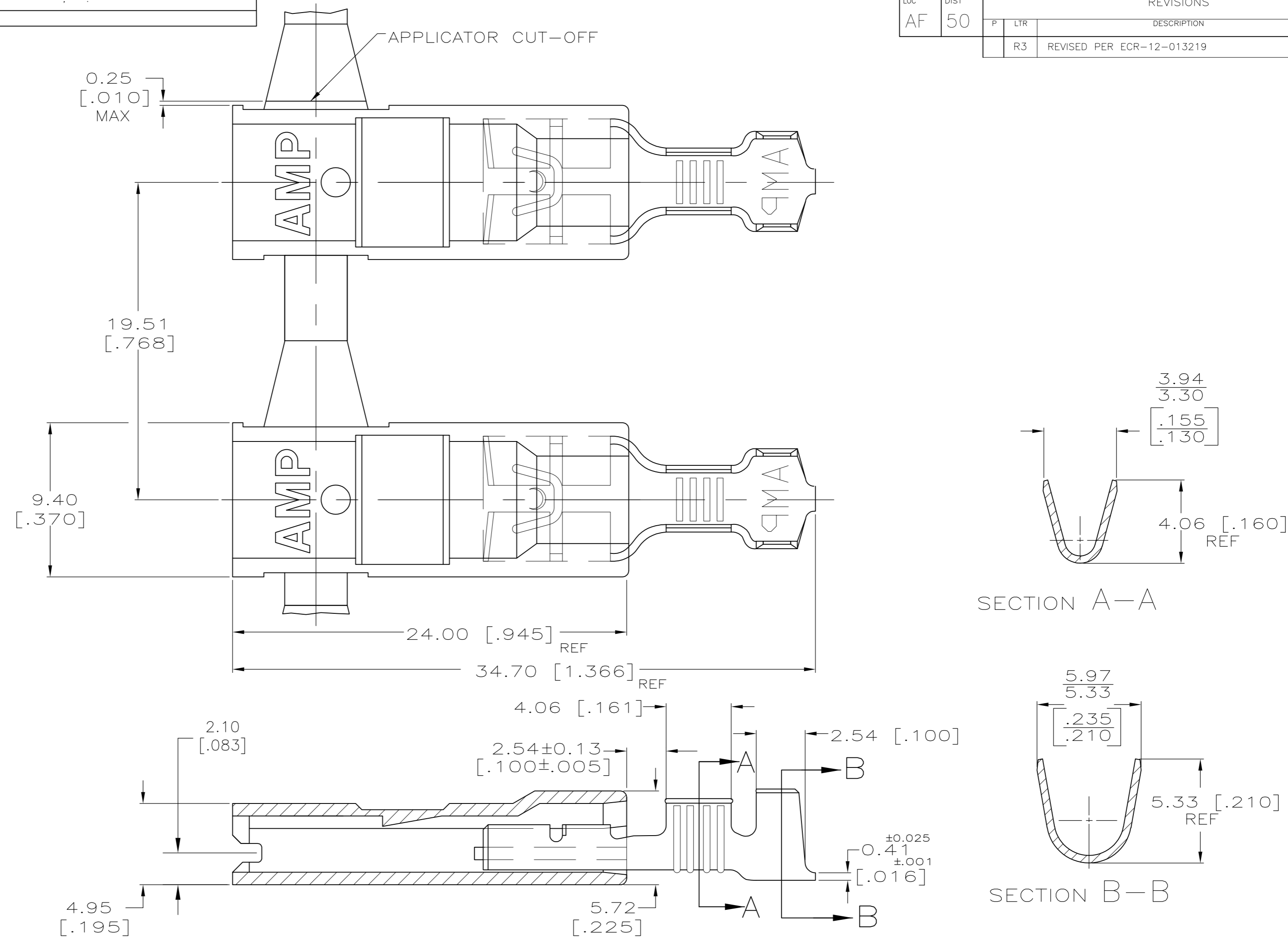
Email & Skype: info@chipsmall.com Web: www.chipsmall.com

Address: A1208, Overseas Decoration Building, #122 Zhenhua RD., Futian, Shenzhen, China



THIS DRAWING IS UNPUBLISHED. RELEASED FOR PUBLICATION
 © COPYRIGHT - By - ALL RIGHTS RESERVED.

LOC		DIST		REVISIONS			
P	LTR	DESCRIPTION	DATE	DWN	APVD		
AF	50	R3	REVISED PER ECR-12-013219	08JAN13	KH	KR	



- 1 LOW-INSERTION FASTON TERMINALS, BASE P/N 63306, ARE USED IN THIS PRODUCT.
- 2 TIN PLATE PER .002032 [.000080] MIN PER MIL-T-10727.
- 3 MATERIAL: HOUSING - 6/6 NYLON
TERMINAL - BRASS
- 4 FINISH: HOUSING - COLOR, NATURAL
TERMINAL - SEE TABLE

OBSOLETE	BULK	2 TIN PLATE	2.79-4.32 [.110-.170] DIA	0.8-2.0 mm ² [18-14]	0.813 [.032]	-5-520963-2
	BULK	PLAIN				5-520963-1
	STANDARD	2 TIN PLATE				520963-2
	STANDARD	PLAIN				520963-1
	PACKAGING	TERMINAL FINISH	INSULATION RANGE	WIRE SIZE	MATING TAB THK ±0.025 [±.001]	PART NO.
THIS DRAWING IS A CONTROLLED DOCUMENT.			DWN JR RUTH 6/27/89			
DIMENSIONS: INCHES			CHK MS FEHER 6/27/89			
TOLERANCES UNLESS OTHERWISE SPECIFIED:			APVD R KUZO 6/27/89		NAME	
0 PLC ± -			PRODUCT SPEC		ASSEMBLY, ULTRA-POD, RECEPTACLE, 6.35 [.250] SERIES	
1 PLC ± -			APPLICATION SPEC		SIZE CAGE CODE DRAWING NO	
2 PLC ± -			114-2124		RESTRICTED TO	
3 PLC ± 0.25 [.010]			WEIGHT -		A2 00779 C=520963	
4 PLC ± -			CUSTOMER DRAWING		SCALE 5:1 SHEET 1 of 1 REV R3	
ANGLES ± -						
FINISH						