



Chipsmall Limited consists of a professional team with an average of over 10 year of expertise in the distribution of electronic components. Based in Hongkong, we have already established firm and mutual-benefit business relationships with customers from,Europe,America and south Asia,supplying obsolete and hard-to-find components to meet their specific needs.

With the principle of “Quality Parts,Customers Priority,Honest Operation,and Considerate Service”,our business mainly focus on the distribution of electronic components. Line cards we deal with include Microchip,ALPS,ROHM,Xilinx,Pulse,ON,Everlight and Freescale. Main products comprise IC,Modules,Potentiometer,IC Socket,Relay,Connector.Our parts cover such applications as commercial,industrial, and automotives areas.

We are looking forward to setting up business relationship with you and hope to provide you with the best service and solution. Let us make a better world for our industry!



## Contact us

Tel: +86-755-8981 8866 Fax: +86-755-8427 6832

Email & Skype: info@chipsmall.com Web: www.chipsmall.com

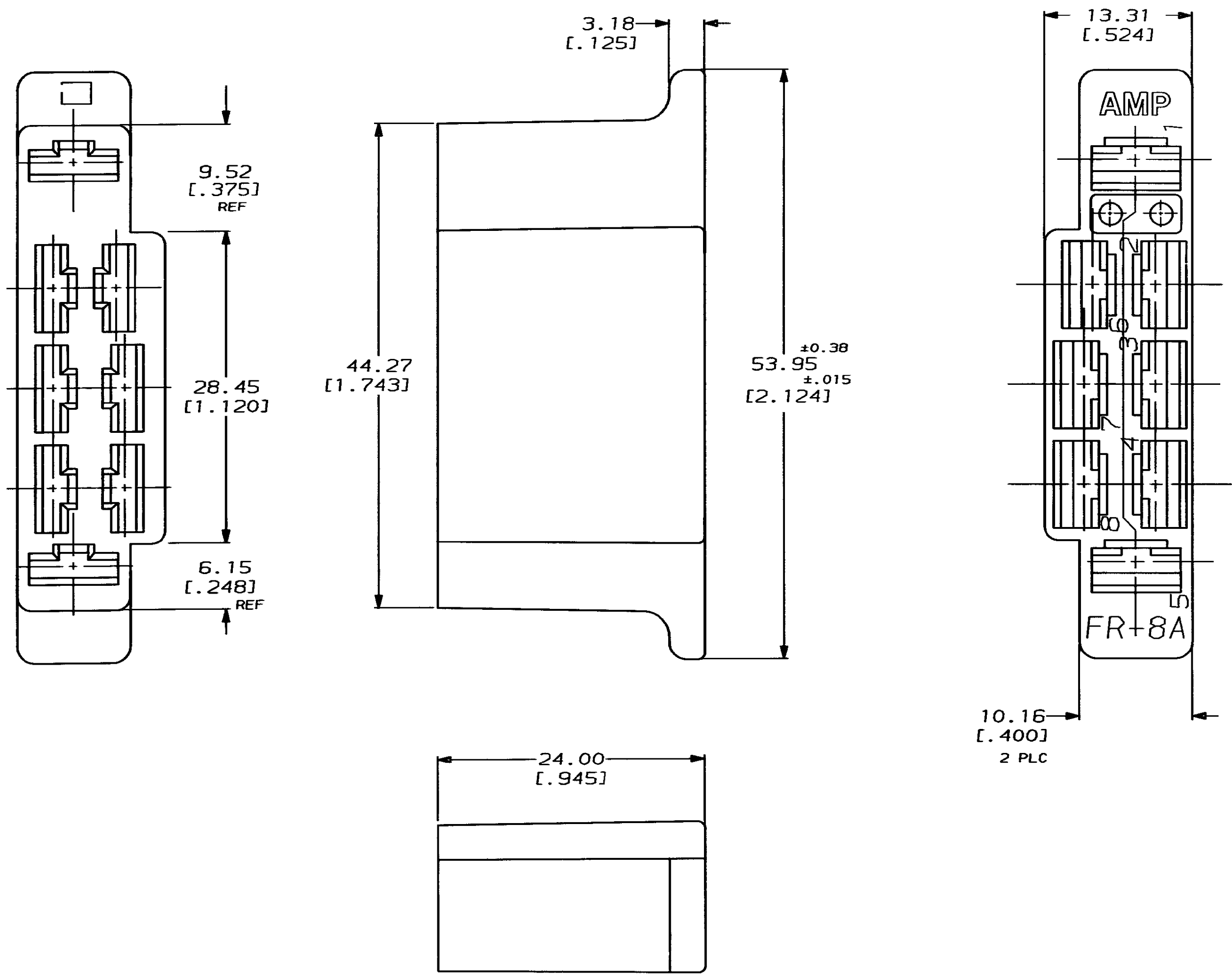
Address: A1208, Overseas Decoration Building, #122 Zhenhua RD., Futian, Shenzhen, China



DRAWING MADE IN THIRD ANGLE PROJECTION

THIS DRAWING IS UNPUBLISHED. RELEASED FOR PUBLICATION ,19 .  
 © COPYRIGHT 19 BY AMP INCORPORATED. ALL INTERNATIONAL RIGHTS RESERVED.

LOC		DIST		ZONE		LTR		REVISIONS		DATE	APPD
AF	50	P	F			A	RELEASED			10/12/89	JR/JG



**METRIC**

520965-1  
PART NO

DO NOT SCALE PRINT. UNLESS SPECIFIED DIMENSIONS IN mm [INCHES] TOLERANCES ON :	DR 8/1/89 JR RUTH
2 PLC DEC ± -	CHK 8/1/89 MS FEHER
3 PLC DEC ± 0.25 [0.010]	APPD 8/1/89 J GILLESPIE
ANGLES ± -	APPD 8/1/89 R KUZO
MATERIAL	PRODUCT SPEC
6/6 NYLON	-
FINISH	APPLICATION SPEC
NATURAL	-
WEIGHT	-

AMP INCORPORATED Harrisburg, Pa. 17105	
NAME HOUSING, RECPT, FASTIN- FASTON,™ .250 SERIES 8 CIRCUIT	
SIZE <b>C</b>	CAGE CODE 00779
SCALE 3:1	DRAWING NO 520965
SHEET 1 OF 1	