



Chipsmall Limited consists of a professional team with an average of over 10 year of expertise in the distribution of electronic components. Based in Hongkong, we have already established firm and mutual-benefit business relationships with customers from,Europe,America and south Asia,supplying obsolete and hard-to-find components to meet their specific needs.

With the principle of “Quality Parts,Customers Priority,Honest Operation,and Considerate Service”,our business mainly focus on the distribution of electronic components. Line cards we deal with include Microchip,ALPS,ROHM,Xilinx,Pulse,ON,Everlight and Freescale. Main products comprise IC,Modules,Potentiometer,IC Socket,Relay,Connector.Our parts cover such applications as commercial,industrial, and automotives areas.

We are looking forward to setting up business relationship with you and hope to provide you with the best service and solution. Let us make a better world for our industry!



## Contact us

Tel: +86-755-8981 8866 Fax: +86-755-8427 6832

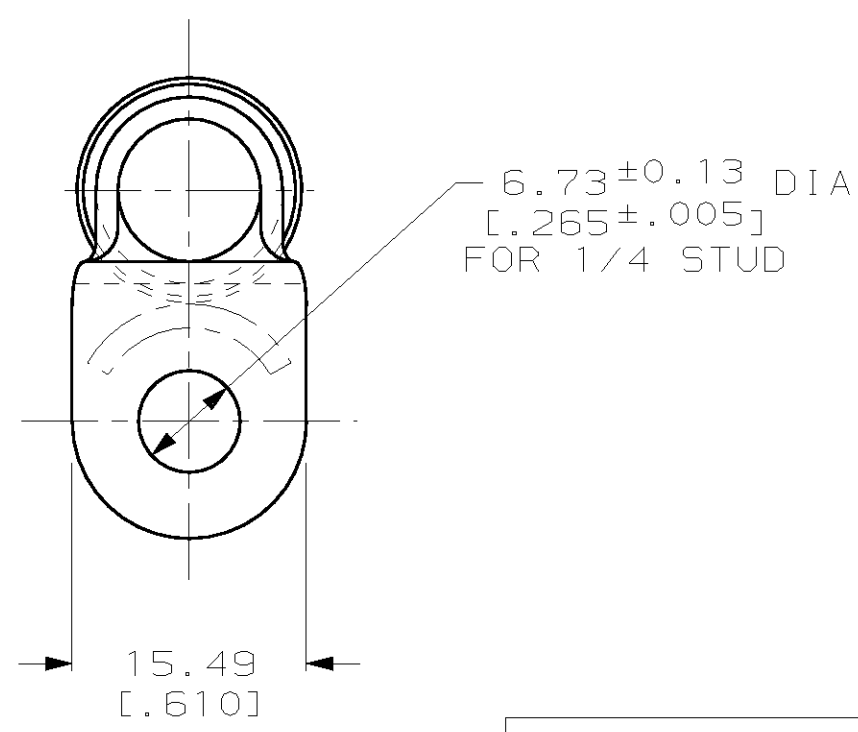
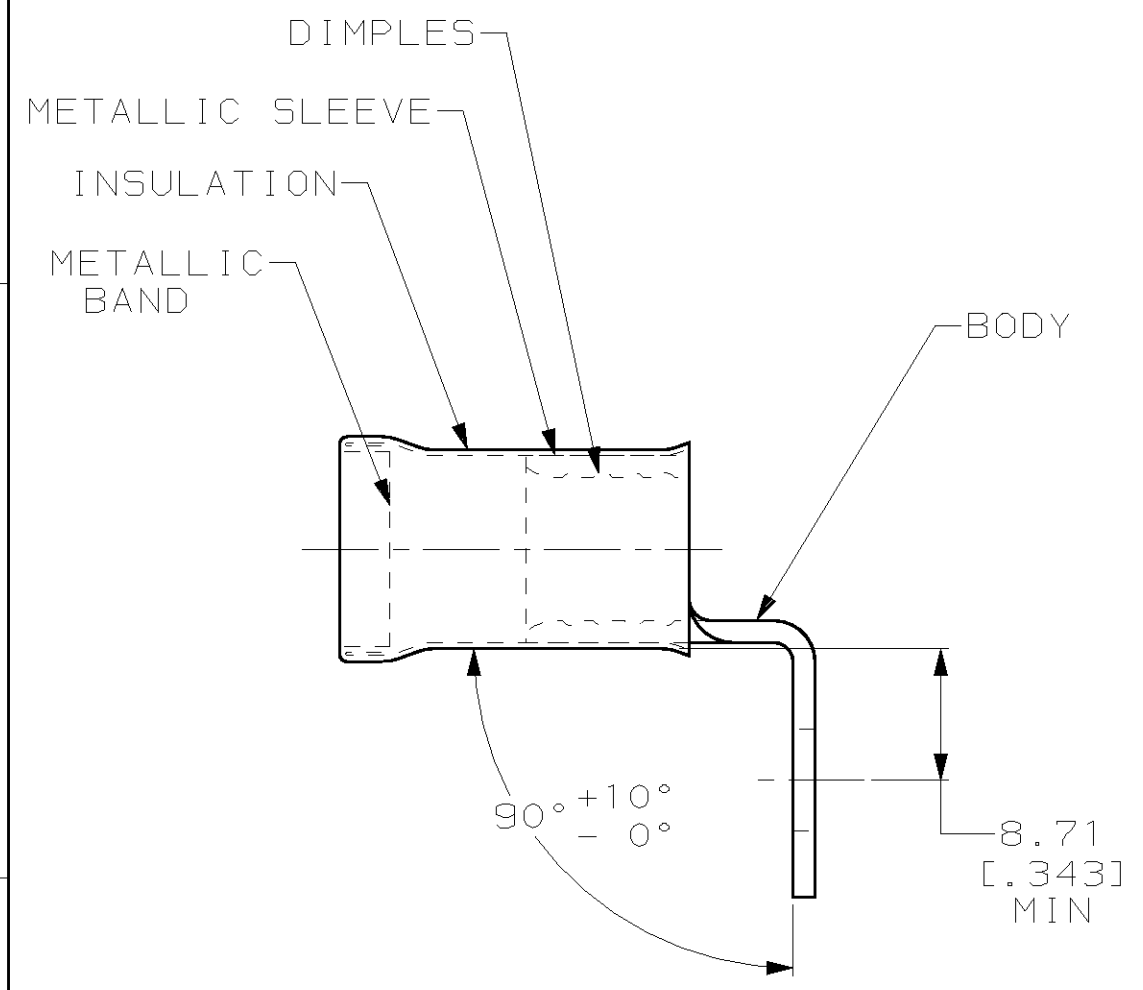
Email & Skype: info@chipsmall.com Web: www.chipsmall.com

Address: A1208, Overseas Decoration Building, #122 Zhenhua RD., Futian, Shenzhen, China



THIS DRAWING IS UNPUBLISHED. RELEASED FOR PUBLICATION ,19 .  
 © COPYRIGHT 19 BY AMP INCORPORATED. ALL RIGHTS RESERVED.

LOC		DIST		REVISIONS			
P	LTR	DESCRIPTION	DATE	DWN	APVD		
G	14	B	REVISED PER 0L20-0178-97	310CT97	DKS	CHK	



- 1 MATERIAL THK: 1.45 ± 0.08 [.057 ± .003]
- 2 WIRE INSULATION DIA: 12.83 [.505] MAX

<u>BODY:</u> COPPER PER ASTM B-152 TIN PL 0.00254 [.000100] MIN THK PER ASTM B-545 <u>INSULATION:</u> PVC <u>COLOR:</u> RED <u>METALLIC SLEEVE:</u> COPPER PER ASTM B-152 <u>METALLIC BAND:</u> STEEL PER ASTM A-109	52097
MATERIAL & FINISH	AMP PART NUMBER

**AMP INCORPORATED**  
**CUSTOMER SERVICE SYSTEMS**

FOR ADDITIONAL PRODUCT INFORMATION OR COPIES OF DRAWINGS AND TECHNICAL DOCUMENTS	PRODUCT INFORMATION CENTER 1-800-522-6752	RECOMMENDED OPERATING TEMPERATURE: 105°C MAX
FOR APPLICATION TOOLING INFORMATION	TOOLING ASSISTANCE CENTER 1-800-722-1111	VOLTAGE RATING: NOT APPLICABLE
FOR ORDER ENTRY	1-800-526-5142	WIRE CROSS SECTIONAL AREA RANGE: 26.7-42.4mm <sup>2</sup> [52,600-83,700] CIR MILS SOLID OR STRANDED

THIS DRAWING IS A CONTROLLED DOCUMENT.

DIMENSIONS: mm [INCHES]	TOLERANCES UNLESS OTHERWISE SPECIFIED:
	0 PLC ±-
	1 PLC ±-
	2 PLC ±0.20 [.008]
	3 PLC ±-
	4 PLC ±-
	ANGLES ±-
MATERIAL SEE TABLE	FINISH SEE TABLE

DWN DK SCHRUM 310CT97	<b>AMP</b> AMP Incorporated Harrisburg, PA 17105-3608
CHK MJ SPICER 03NOV97	
APVD JL MECKLEY 03NOV97	
PRODUCT SPEC -	
APPLICATION SPEC -	NAME TERMINAL, RING TONGUE, BENT 90°, AMPLI-BOND™, WIRE SIZE: 2 AWG
WEIGHT -	SIZE A3
CUSTOMER DRAWING	CAGE CODE 00779
	DRAWING NO C- 52097
	RESTRICTED TO -
	SCALE 2:1
	SHEET 1 OF 1
	REV B