



Chipsmall Limited consists of a professional team with an average of over 10 year of expertise in the distribution of electronic components. Based in Hongkong, we have already established firm and mutual-benefit business relationships with customers from,Europe,America and south Asia,supplying obsolete and hard-to-find components to meet their specific needs.

With the principle of “Quality Parts,Customers Priority,Honest Operation,and Considerate Service”,our business mainly focus on the distribution of electronic components. Line cards we deal with include Microchip,ALPS,ROHM,Xilinx,Pulse,ON,Everlight and Freescale. Main products comprise IC,Modules,Potentiometer,IC Socket,Relay,Connector.Our parts cover such applications as commercial,industrial, and automotives areas.

We are looking forward to setting up business relationship with you and hope to provide you with the best service and solution. Let us make a better world for our industry!



Contact us

Tel: +86-755-8981 8866 Fax: +86-755-8427 6832

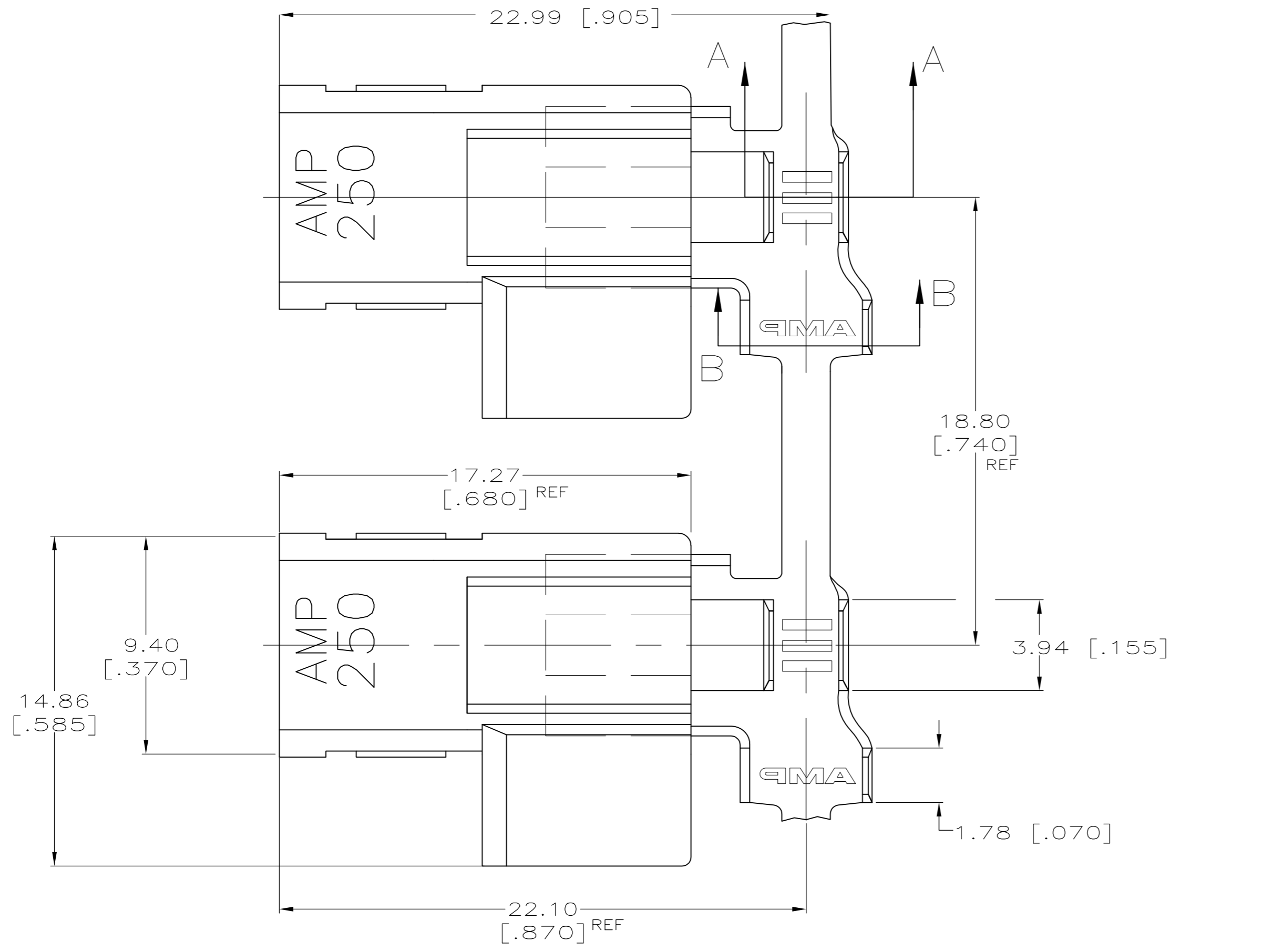
Email & Skype: info@chipsmall.com Web: www.chipsmall.com

Address: A1208, Overseas Decoration Building, #122 Zhenhua RD., Futian, Shenzhen, China

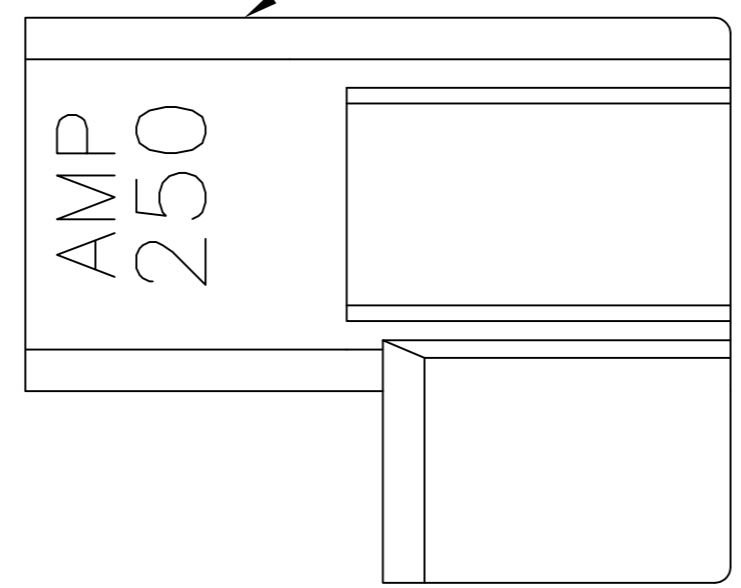
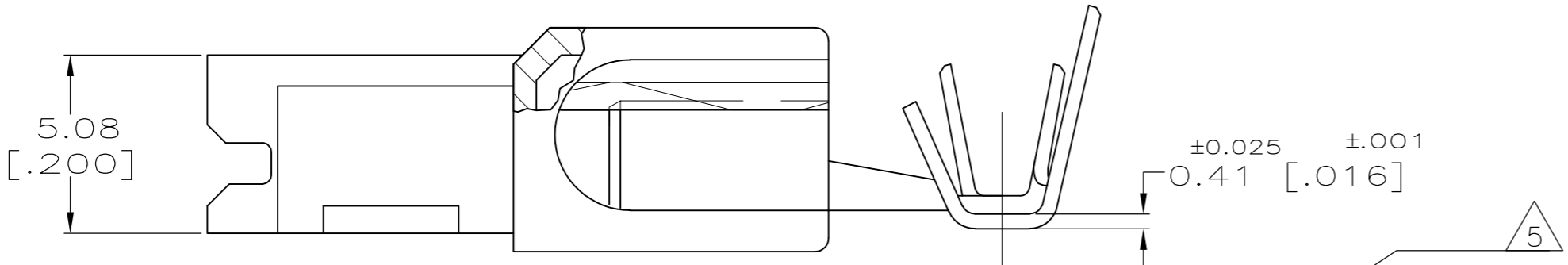
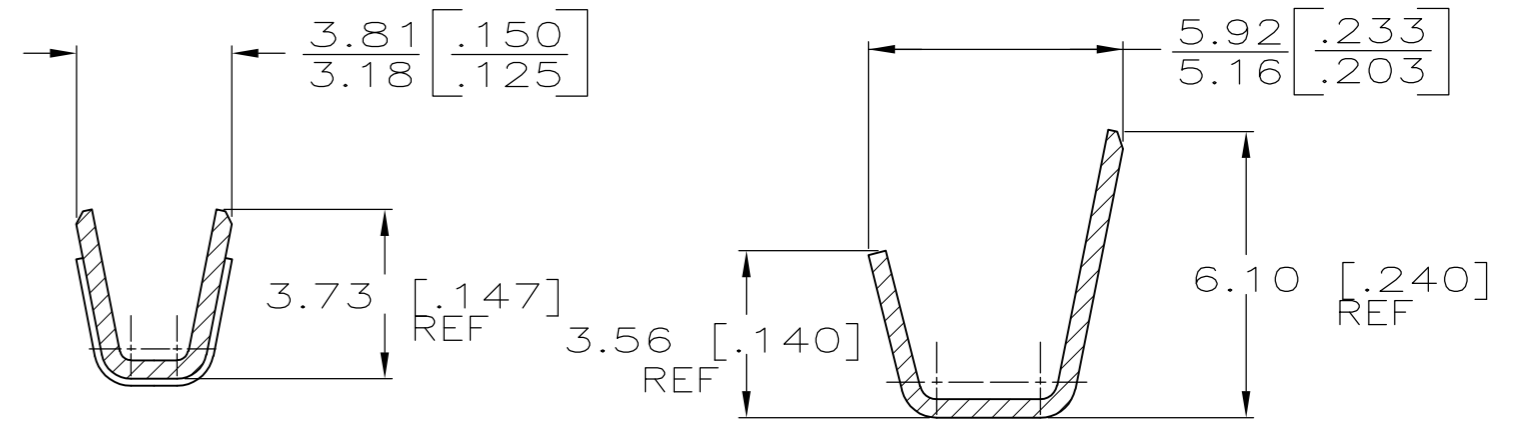


THIS DRAWING IS UNPUBLISHED. RELEASED FOR PUBLICATION
 © COPYRIGHT - By - ALL RIGHTS RESERVED.

LOC	DIST	REVISIONS			
P	LTR	DESCRIPTION	DATE	DWN	APVD
AF	50	W3	REVISED PER ECR-12-013219	08JAN13	KH KR



- 1 USE FLAG FASTON TERMINAL BASE P/N 63559, IN THIS PRODUCT.
- 2 WIRE SIZE IS #18-#14 AWG
- 3 INSULATION RANGE IS 2.79-4.06 DIA [.110-.160] DIA.
- 4 FITS .250 X .032 THK FASTON TAB
- 5 ALTERNATIVE HOUSING FORM



OBS	BULK	6/6 NYLON / NATURAL	TIN PLATE - 4M HARD BRASS	5-520971-2
STANDARD		6/6 NYLON / BLACK	TIN PLATE - BRASS	520971-4
		6/6 NYLON / NATURAL	TIN PLATE - H03 HARD PHOS BRZ	520971-3
		6/6 NYLON / NATURAL	TIN PLATE - BRASS	520971-2
		6/6 NYLON / NATURAL	PLAIN - BRASS	520971-1
PACKAGING	HOUSING MATERIAL / COLOR		TERMINAL FINISH - MATERIAL	PART NO.
THIS DRAWING IS A CONTROLLED DOCUMENT.		DWN 1/9/90 JR RUTH	 TE Connectivity ASSEMBLY, RECEPTACLE, FLAG, ULTRA-POD, 6.35 [.250] SERIES	
DIMENSIONS: INCHES		CHK 1/9/90 MS FEHER		
TOLERANCES UNLESS OTHERWISE SPECIFIED:		APVD 1/9/90 D BRATINA		
0 PLC ± - 1 PLC ± - 2 PLC ± - 3 PLC ± 0.25 [.010] 4 PLC ± - ANGLES ± -		PRODUCT SPEC 108-1285 APPLICATION SPEC 114-2124		
MATERIAL	SEE TABLE	FINISH	SEE TABLE	RESTRICTED TO
CUSTOMER DRAWING		WEIGHT -	SIZE A2	CAGE CODE 00779
SCALE 6:1		DRAWING NO C=520971		SHEET 1 of 1
		REV W3		