



Chipsmall Limited consists of a professional team with an average of over 10 year of expertise in the distribution of electronic components. Based in Hongkong, we have already established firm and mutual-benefit business relationships with customers from,Europe,America and south Asia,supplying obsolete and hard-to-find components to meet their specific needs.

With the principle of “Quality Parts,Customers Priority,Honest Operation,and Considerate Service”,our business mainly focus on the distribution of electronic components. Line cards we deal with include Microchip,ALPS,ROHM,Xilinx,Pulse,ON,Everlight and Freescale. Main products comprise IC,Modules,Potentiometer,IC Socket,Relay,Connector.Our parts cover such applications as commercial,industrial, and automotives areas.

We are looking forward to setting up business relationship with you and hope to provide you with the best service and solution. Let us make a better world for our industry!



Contact us

Tel: +86-755-8981 8866 Fax: +86-755-8427 6832

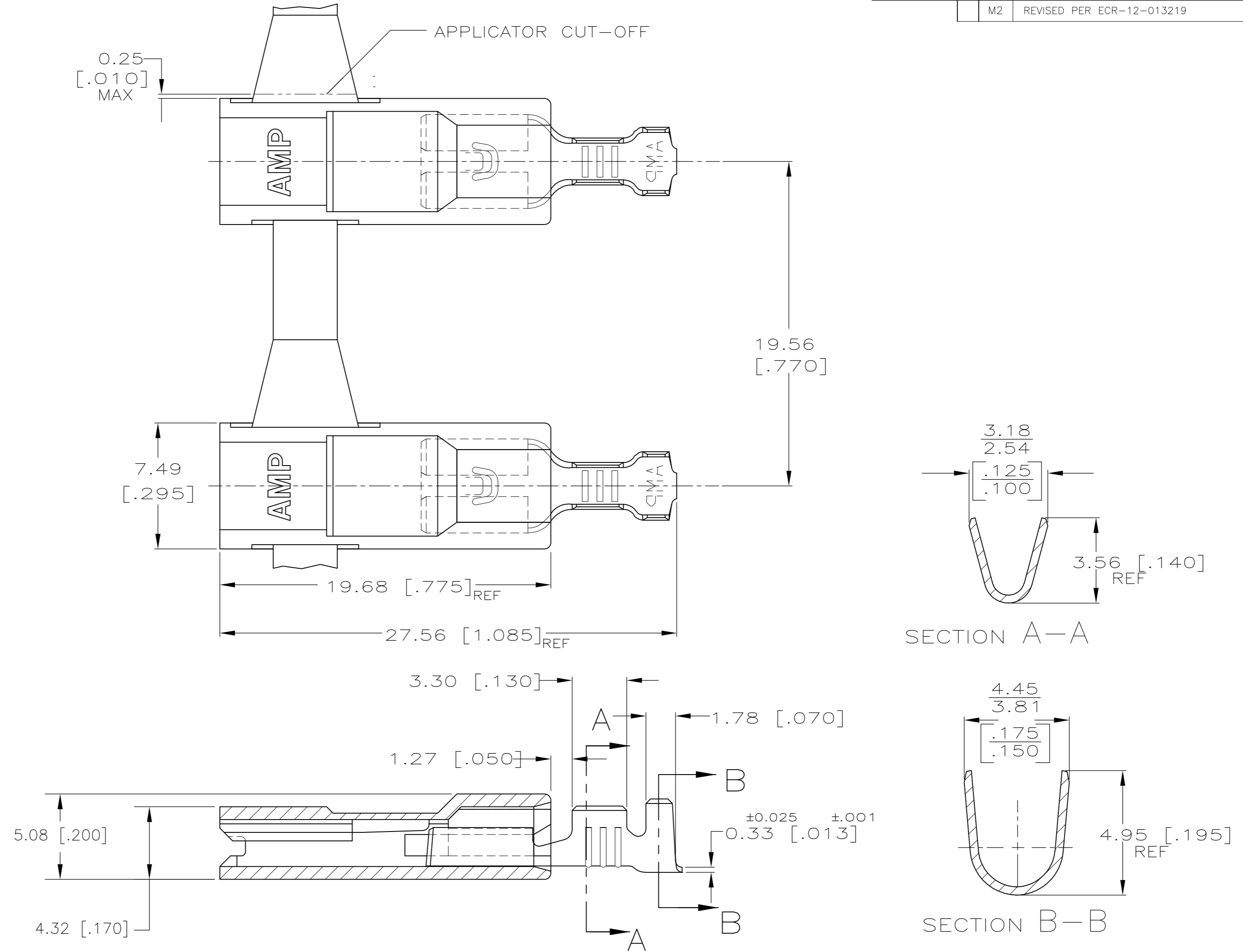
Email & Skype: info@chipsmall.com Web: www.chipsmall.com

Address: A1208, Overseas Decoration Building, #122 Zhenhua RD., Futian, Shenzhen, China



THIS DRAWING IS UNPUBLISHED. RELEASED FOR PUBLICATION
 © COPYRIGHT - By - ALL RIGHTS RESERVED.

LOC	DIST	REVISIONS			
P	LTR	DESCRIPTION	DATE	DWN	APVD
AF	50	M2	REVISED PER ECR-12-013219	08JAN13	KH KR



1 FASTON TERMINALS, BASE P/N 63653, ARE USED IN THIS PRODUCT.

2 TIN PLATE PER MIL-T-10727 .002032 [.000080] MIN.

3 MATERIAL: HOUSING - 6/6 NYLON
 TERMINAL - BRASS

4 FINISH: HOUSING - COLOR, NATURAL
 TERMINAL - SEE TABLE

OBSOLETE	BULK	TIN 2	2.29-3.30 [.090-.130] DIA	0.5-1.3 mm ² [20-16]	0.508 [.020]	5-520973-2
OBSOLETE	BULK	PLAIN				5-520973-1
	STANDARD	TIN 2				520973-2
	STANDARD	PLAIN				520973-1
	PACKAGING	TERMINAL FINISH	INSULATION RANGE	WIRE SIZE	MATING TAB THK ±0.025 [±.001]	PART NO.

THIS DRAWING IS A CONTROLLED DOCUMENT.		DWN 3/20/90 JR RUTH	 TE Connectivity ASSEMBLY, RECEPTACLE, ULTRA-POD, 4.8 [187] SERIES			
DIMENSIONS: mm [INCHES]		CHK 3/20/90 MS FEHER				
TOLERANCES UNLESS OTHERWISE SPECIFIED:		APVD 3/20/90 R KUZO				
0 PLC ± - 1 PLC ± - 2 PLC ± - 3 PLC ± 0.25 [.010] 4 PLC ± - ANGLES ± -		PRODUCT SPEC 108-1285 APPLICATION SPEC 114-2124				
MATERIAL 3	FINISH 4	WEIGHT -	SIZE A2	CAGE CODE 00779	DRAWING NO. C=520973	RESTRICTED TO -
CUSTOMER DRAWING			SCALE 5:1	SHEET 1 OF 1	REV M2	