



Chipsmall Limited consists of a professional team with an average of over 10 year of expertise in the distribution of electronic components. Based in Hongkong, we have already established firm and mutual-benefit business relationships with customers from,Europe,America and south Asia,supplying obsolete and hard-to-find components to meet their specific needs.

With the principle of “Quality Parts,Customers Priority,Honest Operation,and Considerate Service”,our business mainly focus on the distribution of electronic components. Line cards we deal with include Microchip,ALPS,ROHM,Xilinx,Pulse,ON,Everlight and Freescale. Main products comprise IC,Modules,Potentiometer,IC Socket,Relay,Connector.Our parts cover such applications as commercial,industrial, and automotives areas.

We are looking forward to setting up business relationship with you and hope to provide you with the best service and solution. Let us make a better world for our industry!



## Contact us

Tel: +86-755-8981 8866 Fax: +86-755-8427 6832

Email & Skype: info@chipsmall.com Web: www.chipsmall.com

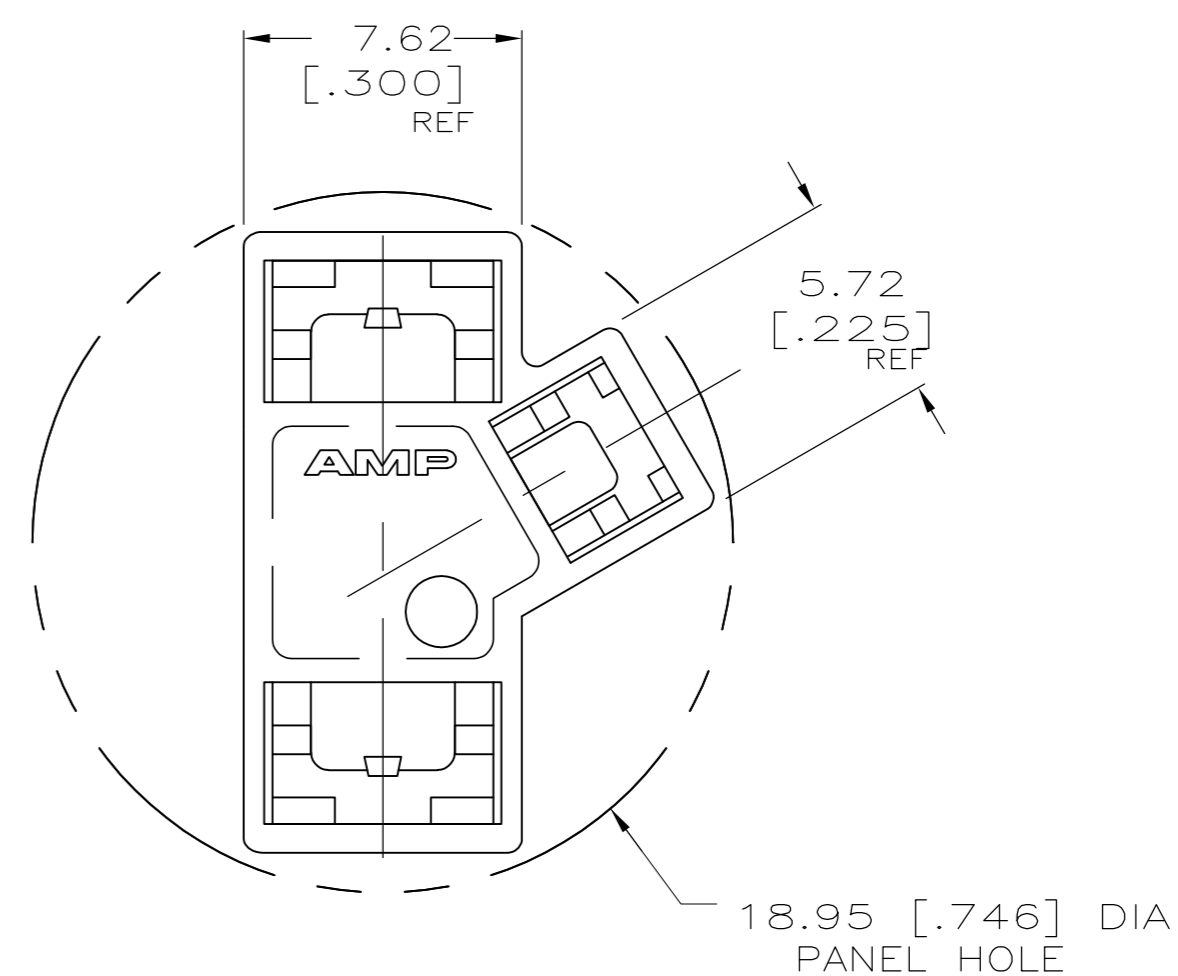
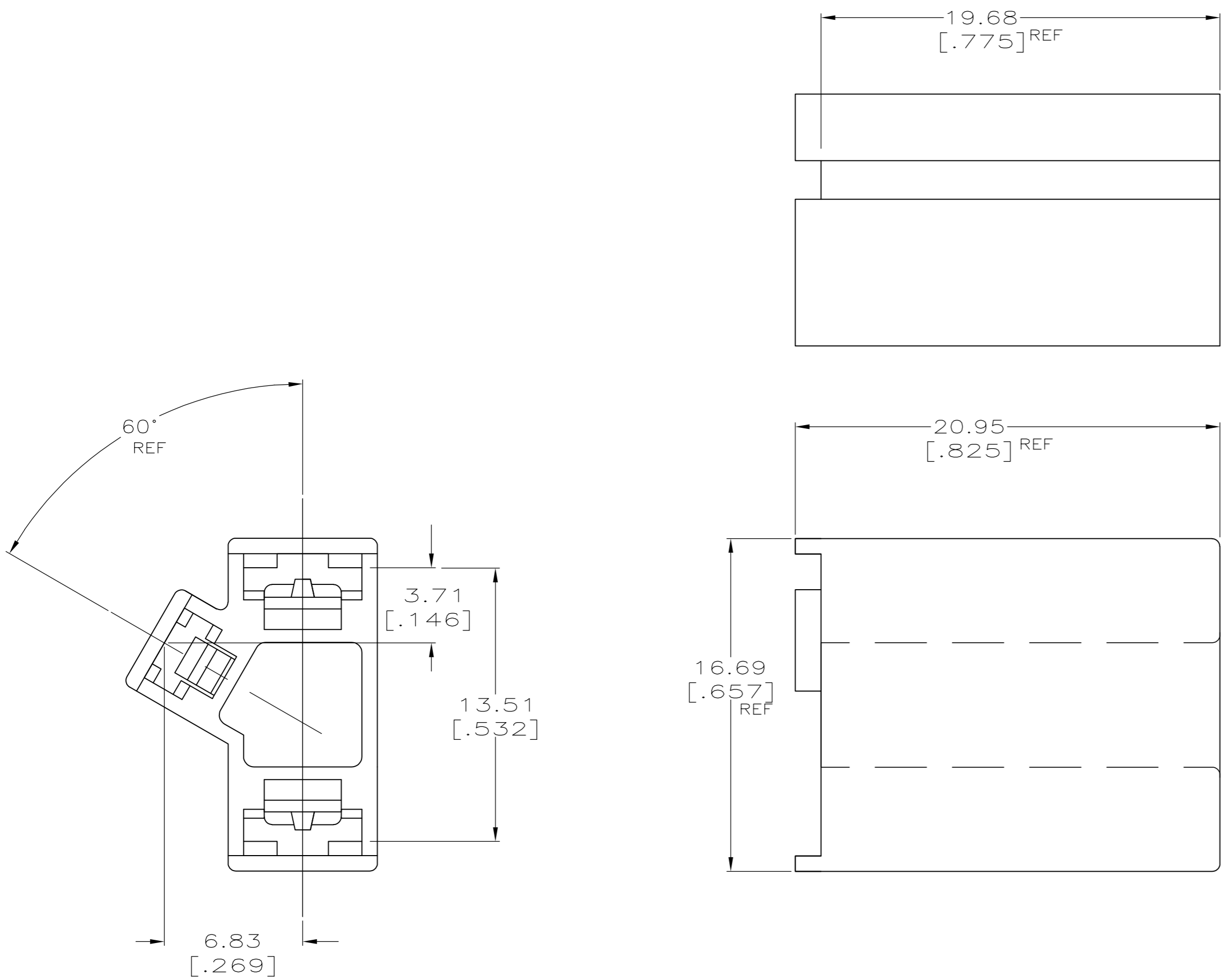
Address: A1208, Overseas Decoration Building, #122 Zhenhua RD., Futian, Shenzhen, China



THIS DRAWING IS UNPUBLISHED. RELEASED FOR PUBLICATION  
 © COPYRIGHT - By - ALL RIGHTS RESERVED.

LOC	DIST	REVISIONS			
P	LTR	DESCRIPTION	DATE	DWN	APVD
AF	50	F1	REV PER ECO 12-019158	31OCT12	JR PD

1 PRELIMINARY - NOT FOR PRODUCTION



6 NYLON, V0, 150°C	1 520978-3
4/6 NYLON 150°C	520978-2
6/6 NYLON	520978-1
MATERIAL	PART NO.

THIS DRAWING IS A CONTROLLED DOCUMENT.		DWN	JR RUTH	10/2/90		TE Connectivity			
DIMENSIONS: MM [INCHES]		CHK	MS FEHER	10/2/90		NAME			
TOLERANCES UNLESS OTHERWISE SPECIFIED:		APVD	C MEYERS	10/2/90		HOUSING, RECEPTACLE, FASTON, 2.79 [.110] & 4.75 [.187] SERIES			
0 PLC ± - 1 PLC ± - 2 PLC ± - 3 PLC ± 0.25 [.010] 4 PLC ± - ANGLES ± -		PRODUCT SPEC		SIZE		CAGE CODE	DRAWING NO	RESTRICTED TO	
MATERIAL SEE TABLE		FINISH NATURAL		WEIGHT	-	A2	00779	C=520978	-
CUSTOMER DRAWING				SCALE	5:1	SHEET	1 of 1	REV	F1