



Chipsmall Limited consists of a professional team with an average of over 10 year of expertise in the distribution of electronic components. Based in Hongkong, we have already established firm and mutual-benefit business relationships with customers from,Europe,America and south Asia,supplying obsolete and hard-to-find components to meet their specific needs.

With the principle of “Quality Parts,Customers Priority,Honest Operation,and Considerate Service”,our business mainly focus on the distribution of electronic components. Line cards we deal with include Microchip,ALPS,ROHM,Xilinx,Pulse,ON,Everlight and Freescale. Main products comprise IC,Modules,Potentiometer,IC Socket,Relay,Connector.Our parts cover such applications as commercial,industrial, and automotives areas.

We are looking forward to setting up business relationship with you and hope to provide you with the best service and solution. Let us make a better world for our industry!



Contact us

Tel: +86-755-8981 8866 Fax: +86-755-8427 6832

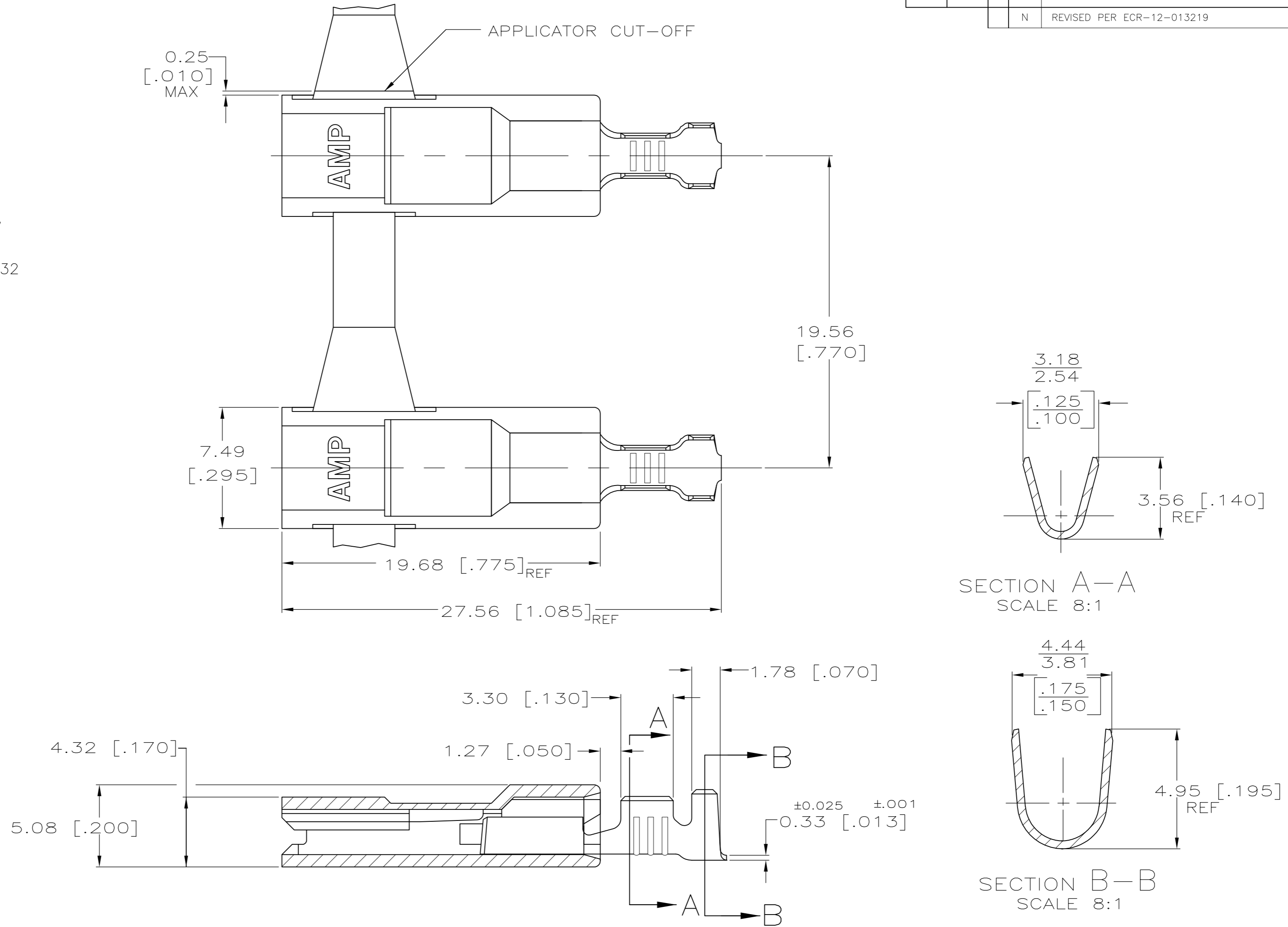
Email & Skype: info@chipsmall.com Web: www.chipsmall.com

Address: A1208, Overseas Decoration Building, #122 Zhenhua RD., Futian, Shenzhen, China



THIS DRAWING IS UNPUBLISHED. RELEASED FOR PUBLICATION
 © COPYRIGHT - By - ALL RIGHTS RESERVED.

LOC	DIST	REVISIONS			
P	LTR	DESCRIPTION	DATE	DWN	APVD
AF	50				
N		REVISED PER ECR-12-013219	08JAN13	KH	KR



- 1 FASTON TERMINALS, BASE P/N 63654, ARE USED IN THIS PRODUCT.
- 2 TIN PLATE PER MIL-T-10727, 0.002032 [.000080] MIN.
- 3 MATERIAL: HOUSING - 6/6 NYLON
TERMINAL - BRASS
- 4 FINISH: SEE TABLE

OBSOLETE	BULK	NATURAL	PLAIN	2.29-3.30 [.090-.130]	0.5-1.3 mm ² [20-16]	0.813 [.032]	MATING TAB THK ±0.025 [±.001]	-5-520982-1
	STANDARD	BLACK	PLAIN					520982-8
		NATURAL	TIN 2					520982-2
PACKAGING	HOUSING COLOR	TERMINAL FINISH					520982-1	

THIS DRAWING IS A CONTROLLED DOCUMENT.		DWN	JR RUTH	12/6/90	 TE Connectivity
DIMENSIONS: mm [INCHES]		CHK	MS FEHER	12/6/90	
TOLERANCES UNLESS OTHERWISE SPECIFIED:		APVD	R KUZO	12/6/90	
0 PLC ± - 1 PLC ± - 2 PLC ± - 3 PLC ± 0.25 [.010] 4 PLC ± - ANGLES ± - FINISH		PRODUCT SPEC	118-1285	NAME	
MATERIAL	- 3	WEIGHT	-	SIZE	A2
CUSTOMER DRAWING		SCALE	5:1	SHEET	1 OF 1