



Chipsmall Limited consists of a professional team with an average of over 10 year of expertise in the distribution of electronic components. Based in Hongkong, we have already established firm and mutual-benefit business relationships with customers from,Europe,America and south Asia,supplying obsolete and hard-to-find components to meet their specific needs.

With the principle of “Quality Parts,Customers Priority,Honest Operation,and Considerate Service”,our business mainly focus on the distribution of electronic components. Line cards we deal with include Microchip,ALPS,ROHM,Xilinx,Pulse,ON,Everlight and Freescale. Main products comprise IC,Modules,Potentiometer,IC Socket,Relay,Connector.Our parts cover such applications as commercial,industrial, and automotives areas.

We are looking forward to setting up business relationship with you and hope to provide you with the best service and solution. Let us make a better world for our industry!



## Contact us

Tel: +86-755-8981 8866 Fax: +86-755-8427 6832

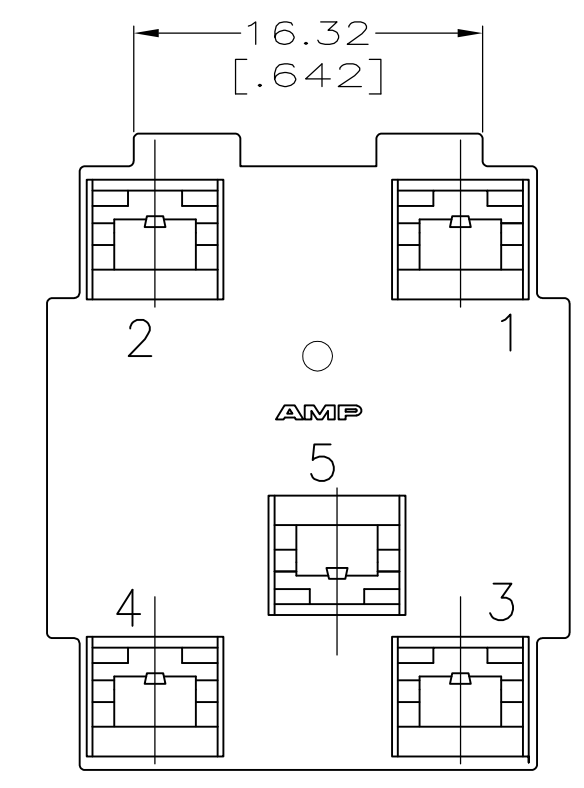
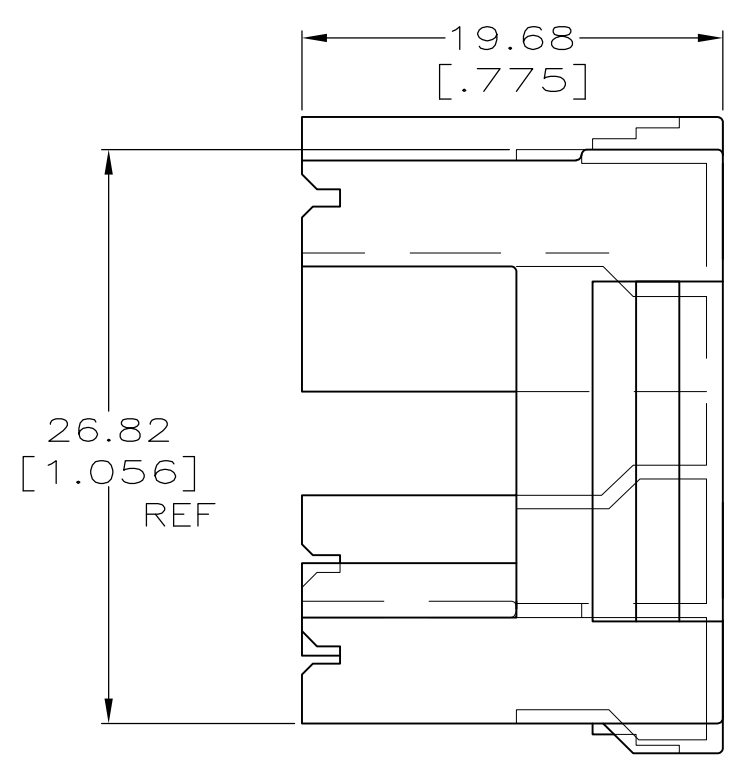
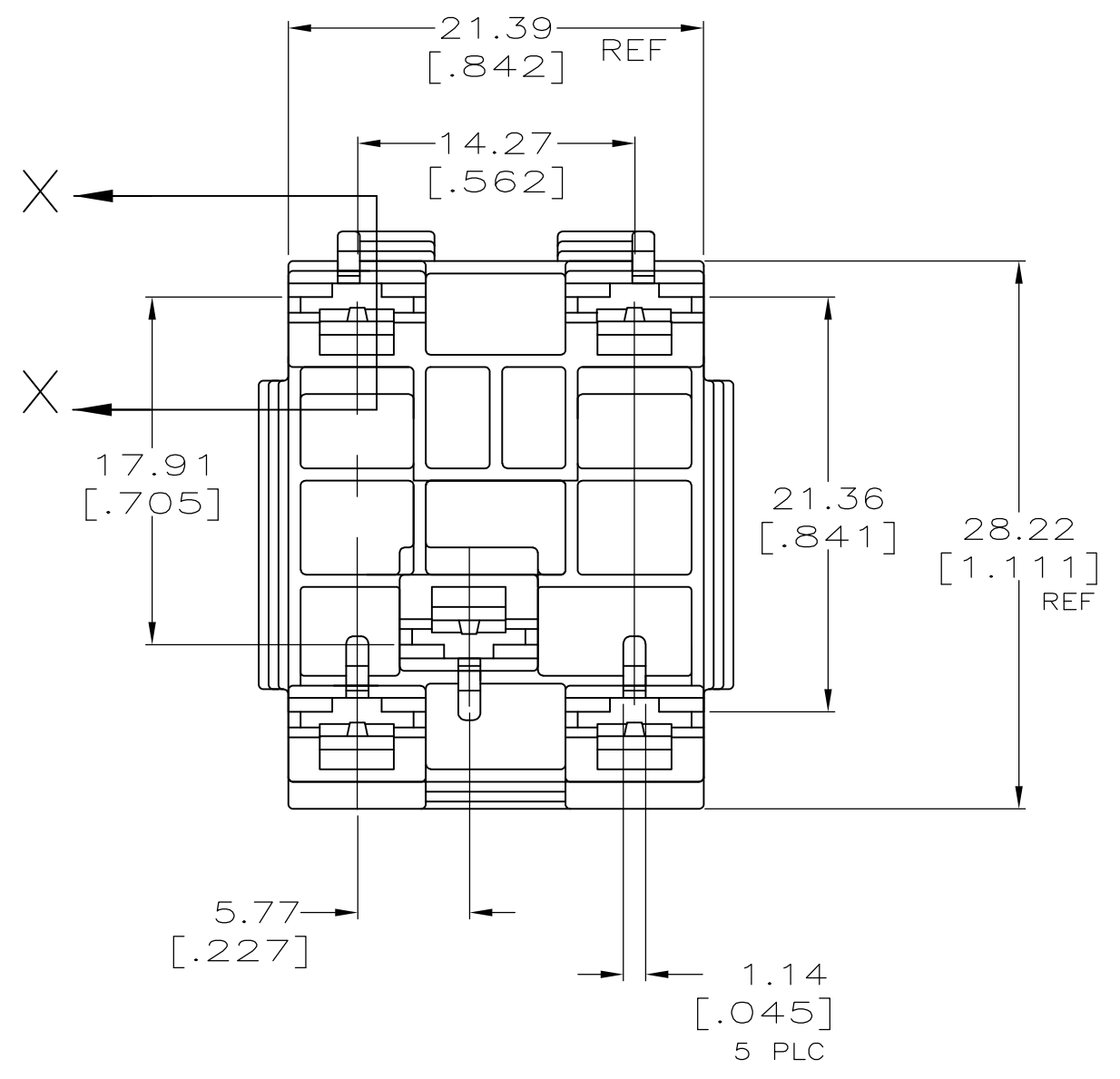
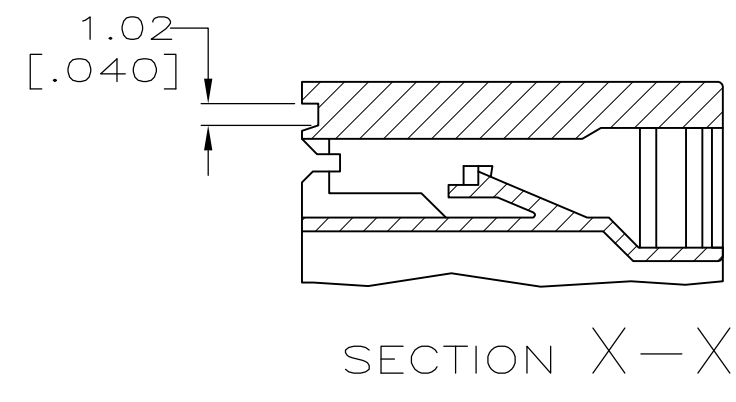
Email & Skype: info@chipsmall.com Web: www.chipsmall.com

Address: A1208, Overseas Decoration Building, #122 Zhenhua RD., Futian, Shenzhen, China



LOC	DIST	REVISIONS					
AF	50	P	LTR	DESCRIPTION	DATE	OWN	APVD
		D3		REVISED PER ECR-08-010239	25APR08	JR	PD

1 PRELIMINARY - NOT FOR PRODUCTION



66/6 NYLON, V0	521001-3
6/66 NYLON, V0	1 521001-2
6/6 NYLON, V2	521001-1
MATERIAL	PART NO.

THIS DRAWING IS A CONTROLLED DOCUMENT.		DWN	JR RUTH	1/28/92	Tyco Electronics Corporation Harrisburg, PA 17105-3608
DIMENSIONS: mm [INCHES]		CHK	MS FEHER	1/28/92	
TOLERANCES UNLESS OTHERWISE SPECIFIED:		APVD	R BEAVER	1/28/92	
0 PLC	± -	NAME		HOUSING, RECEPTACLE, FASTON, 4.78 [.187] SERIES	
1 PLC	± -	PRODUCT SPEC		-	
2 PLC	± 0.25 [.010]	APPLICATION SPEC		-	
3 PLC	± -	SIZE		CAGE CODE	DRAWING NO
4 PLC	± -	WEIGHT		A2	00779
ANGLES	± ± -	FINISH		G-521001	
MATERIAL SEE TABLE		COLOR-NATURAL		CUSTOMER DRAWING	
		SCALE		3:1	SHEET 1 OF 1
		REV		D3	