



Chipsmall Limited consists of a professional team with an average of over 10 year of expertise in the distribution of electronic components. Based in Hongkong, we have already established firm and mutual-benefit business relationships with customers from,Europe,America and south Asia,supplying obsolete and hard-to-find components to meet their specific needs.

With the principle of “Quality Parts,Customers Priority,Honest Operation,and Considerate Service”,our business mainly focus on the distribution of electronic components. Line cards we deal with include Microchip,ALPS,ROHM,Xilinx,Pulse,ON,Everlight and Freescale. Main products comprise IC,Modules,Potentiometer,IC Socket,Relay,Connector.Our parts cover such applications as commercial,industrial, and automotives areas.

We are looking forward to setting up business relationship with you and hope to provide you with the best service and solution. Let us make a better world for our industry!



Contact us

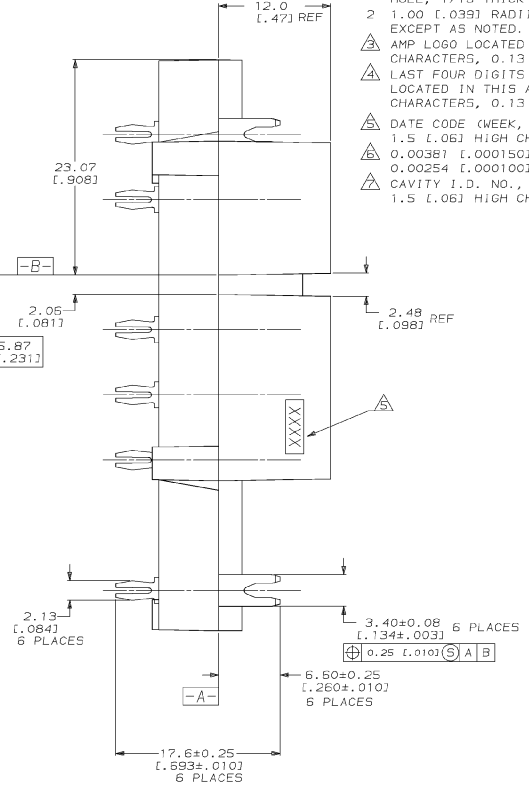
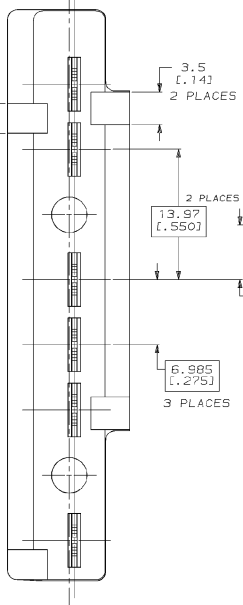
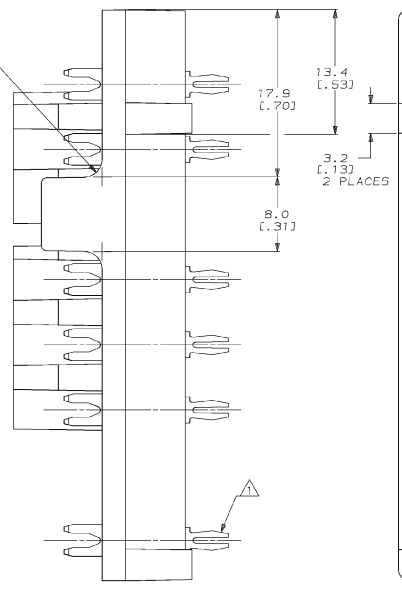
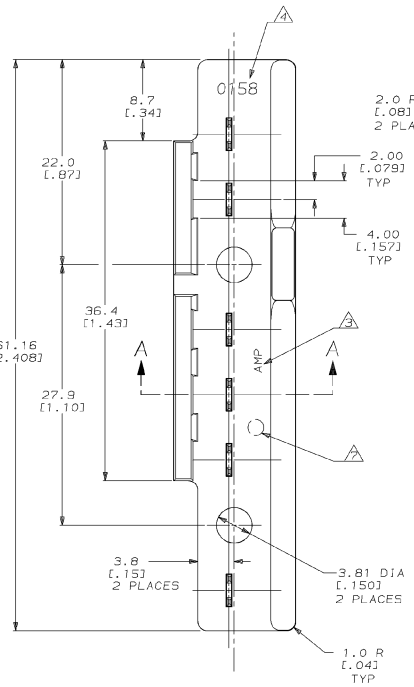
Tel: +86-755-8981 8866 Fax: +86-755-8427 6832

Email & Skype: info@chipsmall.com Web: www.chipsmall.com

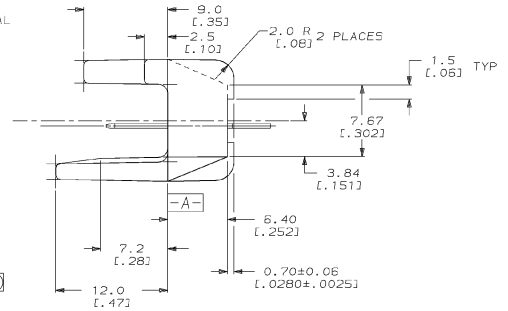
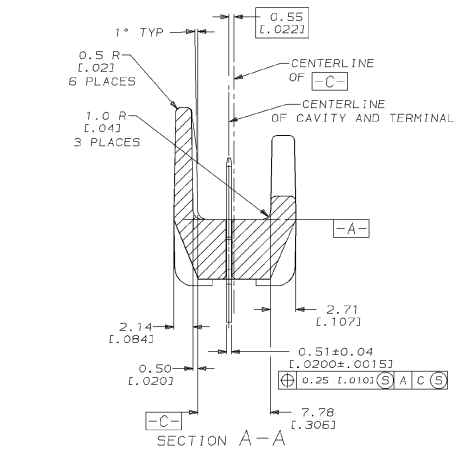
Address: A1208, Overseas Decoration Building, #122 Zhenhua RD., Futian, Shenzhen, China



REV	DATE	BY	ZONE	LTH	REVISIONS		DATE	APPRO
					DESCRIPTION	REVISOR		
50					D	REV PER 0710-0500-95		



- △ POSTS TO FIT INTO 1.78-1.93 (.070-.076) DIA HOLE, 1/16 THICK P.C. BOARD.
- 2 1.00 (.039) RADII, 1° DRAFT PERMISSIBLE EXCEPT AS NOTED.
- △ AMP LOGO LOCATED IN THIS AREA, 1.5 (.06) HIGH CHARACTERS, 0.13 (.005) RECESSED.
- △ LAST FOUR DIGITS OF A.C. SPARK NUMBER, LOCATED IN THIS AREA, 2.0 (.08) HIGH CHARACTERS, 0.13 (.005) RECESSED.
- △ DATE CODE (WEEK, YEAR) LOCATED IN THIS AREA.
- 1.5 (.06) HIGH CHARACTERS, 0.13 (.005) RECESSED.
- △ 0.0038 (.000150) MIN TIN PER MIL-T-10727 OVER 0.00254 (.000100) MIN COPPER PER MIL-C-14550.
- △ CAVITY I.D. NO., LOCATED IN THIS AREA.
- 1.5 (.06) HIGH CHARACTERS, 0.13 (.005) RECESSED.



METRIC

△	H06 BRASS	TERMINAL ②	S21006-1
BLACK	POLYESTER 30X GLASS FILLED 25% MAX REGRIND PERMISSIBLE	HOUSING ①	
FINISH	MATERIAL	COMPONENT, ITEM NO	PART NO
DO NOT SCALE PRINT. UNLESS SPECIFIED DIMENSIONS IN mm (INCHES) TOLERANCES ON + 1 121 PLG DEC = 0.25 (.01) 2 133 PLG DEC = 0.13 (.005) ANGLES A	DR 4/14/92 DIONEL S. FEHER CHK 4/16/92 JEFF R. RUTH APPD 4/16/92 KURT RINDOLPH APPD 4/16/92 NELSON E. NEFF	AMP Incorporated Harrisburg, PA 17105-3008	
SEE TABLE	PRODUCT SPEC	NAME ASSEMBLY, TAB, POKE-IN, MAG-MATE™	
FINISH	APPLICATION SPEC	SIZE D 00779	DRAWING NO 521006
SEE TABLE	WEIGHT	SCALE 4:1	SHEET 1 OF 1