



Chipsmall Limited consists of a professional team with an average of over 10 year of expertise in the distribution of electronic components. Based in Hongkong, we have already established firm and mutual-benefit business relationships with customers from,Europe,America and south Asia,supplying obsolete and hard-to-find components to meet their specific needs.

With the principle of "Quality Parts,Customers Priority,Honest Operation,and Considerate Service",our business mainly focus on the distribution of electronic components. Line cards we deal with include Microchip,ALPS,ROHM,Xilinx,Pulse,ON,Everlight and Freescale. Main products comprise IC,Modules,Potentiometer,IC Socket,Relay,Connector.Our parts cover such applications as commercial,industrial, and automotives areas.

We are looking forward to setting up business relationship with you and hope to provide you with the best service and solution. Let us make a better world for our industry!



## Contact us

Tel: +86-755-8981 8866 Fax: +86-755-8427 6832

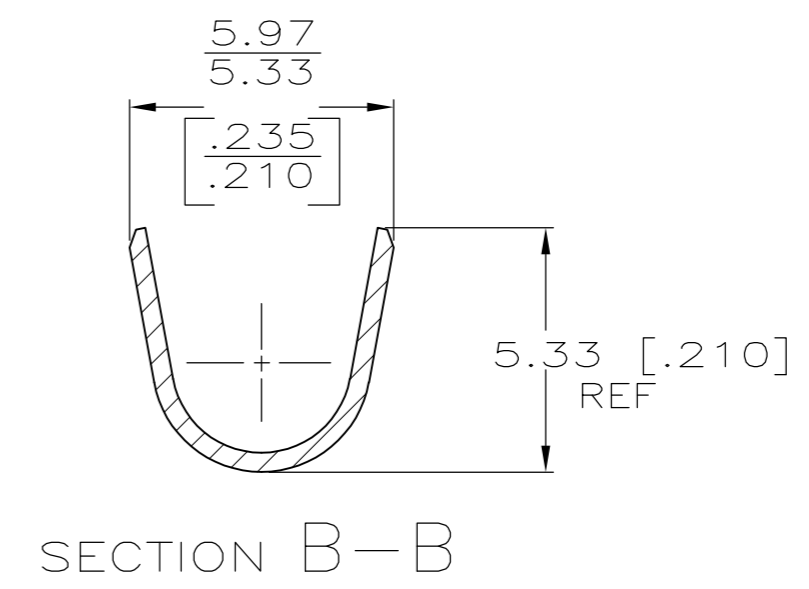
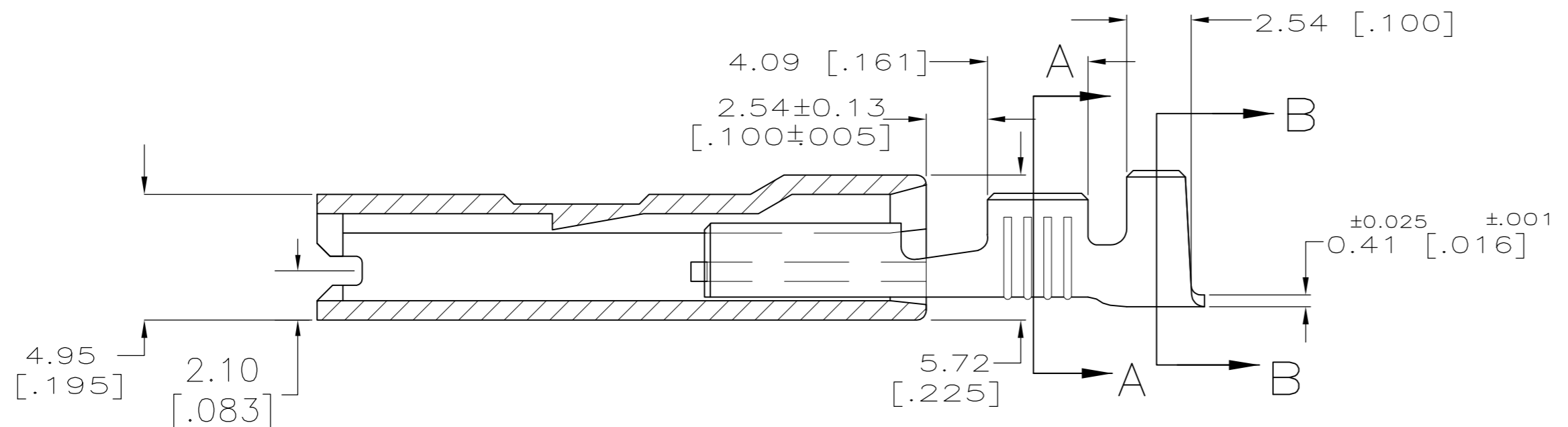
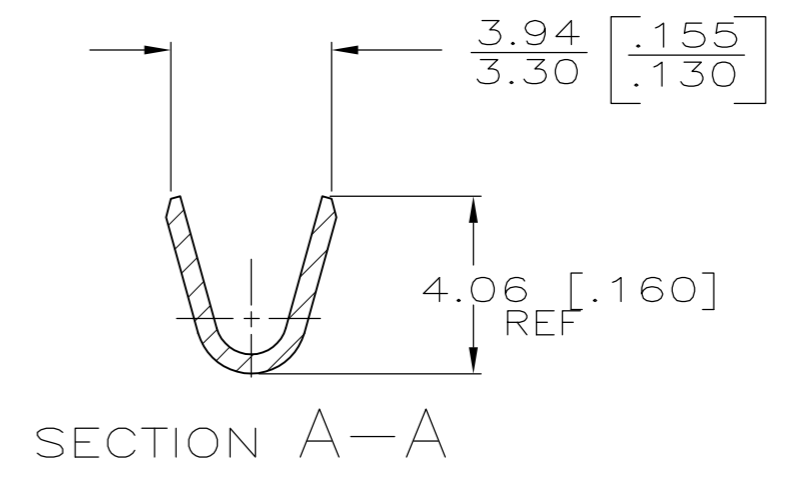
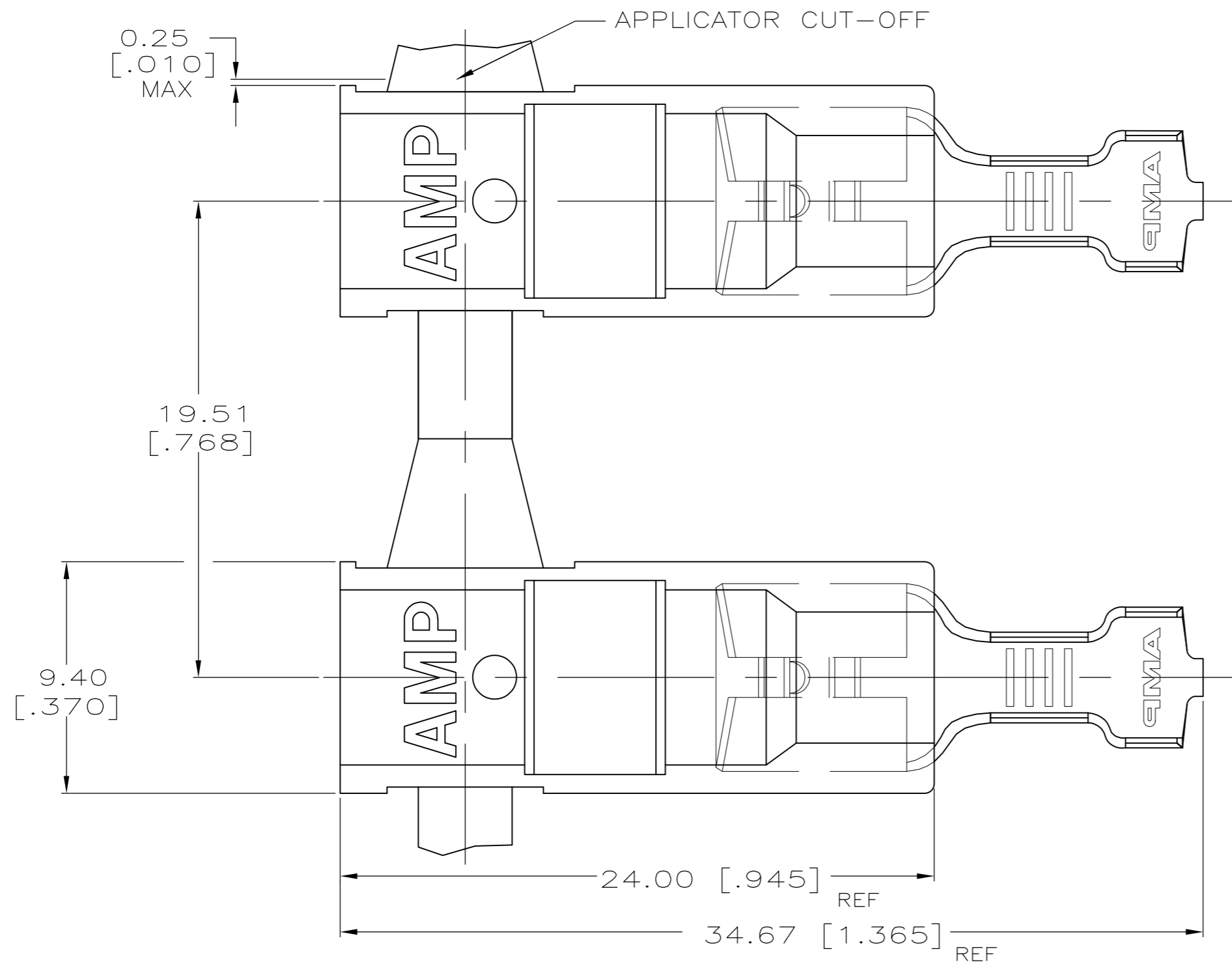
Email & Skype: info@chipsmall.com Web: www.chipsmall.com

Address: A1208, Overseas Decoration Building, #122 Zhenhua RD., Futian, Shenzhen, China



THIS DRAWING IS UNPUBLISHED. RELEASED FOR PUBLICATION  
 © COPYRIGHT - By - ALL RIGHTS RESERVED.

LOC		DIST		REVISIONS			
P	LTR	DESCRIPTION	DATE	DWN	APVD		
AF	50						
	K2	REVISED PER ECR-12-013219	08JAN13	KH	KR		



- 1 PREMIER FASTON TERMINALS, BASE P/N 42219 ARE USED FOR -1. LOW-INSERTION FASTONS, BASE P/N 63306 ARE USE FOR -2.
- 2 NICKEL PLATE 0.00381 [.000150] MIN
- 3 TIN PLATE 0.002032 [.000080] MIN.
- 4 MATERIAL: HOUSING - 4/6 NYLON ( 150°C )  
TERMINAL - SEE TABLE
- 5 FINISH: HOUSING - COLOR, BLACK  
TERMINAL - SEE TABLE

OBSOLETE	BULK	#4M HD BRASS	3	TIN	2.79-4.32	0.8-2.0 mm <sup>2</sup> [18-14]	0.813 [.032]	5-521011-2
OBSOLETE	BULK	#2 HD STEEL	2	NICKEL				5-521011-1
	STANDARD	BRASS	3	TIN	[.110-.170] DIA			521011-2
	STANDARD	#2 HD STEEL	2	NICKEL				521011-1
	PACKAGING	TERMINAL MATERIAL		TERMINAL FINISH	INSULATION RANGE	WIRE SIZE	MATING TAB THK ±0.025 [±.001]	PART NO.

THIS DRAWING IS A CONTROLLED DOCUMENT.

DIMENSIONS: mm [INCHES]	TOLERANCES UNLESS OTHERWISE SPECIFIED:	DWN JR RUTH 12/7/92	TE Connectivity ASSEMBLY, ULTRA-POD, RECEPTACLE, 6.35 [.250] SERIES
	0 PLC ± -	CHK MS FEHER 12/7/92	
	1 PLC ± -	APVD V KARABCIJEVSKY 12/7/92	
	2 PLC ± -	PRODUCT SPEC 108-1285	
	3 PLC ± 0.25 [.010]	APPLICATION SPEC 114-2124	SIZE A2
	4 PLC ± -	WEIGHT -	CAGE CODE 00779
	ANGLES ± -	CUSTOMER DRAWING	DRAWING NO C=521011
MATERIAL 4	FINISH 5	SCALE 5:1	SHEET 1 of 1
		REV K2	